

AN-ISE sc: Combination Sensor for Ammonium and Nitrate (with RFID* technology)

Applications

- Wastewater



Two-in-one low maintenance sensor measures both ammonium and nitrate at the same time.

Combination Sensor for Ammonium and Nitrate

This combination sensor has the ability to measure Ammonium and Nitrate at the same time, eliminating the need for multiple sensors.

No Reagents or Sample Preparation

This sensor utilizes ion selective electrode (ISE) technology. It is designed for immersion directly in aeration basins eliminating the need for reagents and sample preparation. The sensor can be easily installed outdoors without additional housings, so it is easy to relocate to various locations.

Compensated for Significant Interferences

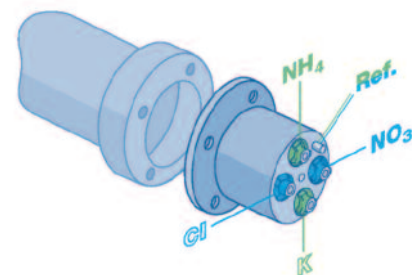
The sensor compensates for the most common interferences with integrated potassium and chloride electrodes within the cartridge. The compensation allows the sensor to provide accurate and reliable results.

Easy to Maintain Sensor Cartridge

The Cartrical™ cartridge eliminates handling and adjustment of individual electrodes because it contains four electrodes that are factory calibrated to each other. Cartridge replacement is simple: unscrew the old cartridge, plug in the new one, and the sensor is ready for measurement. The factory calibration is automatically identified after replacing the cartridge by using RFID technology.

Energy Cost Savings

The AN-ISE sc sensor can be used to optimize Nitrogen removal to facilitate reduced costs. Whether you are monitoring in a Sequencing Batch Reactor (SBR) or in a Nitrification/Denitrification process, the sensor provides visibility to real-time Ammonium and Nitrate levels, allowing you to run the blowers when needed and save energy costs.



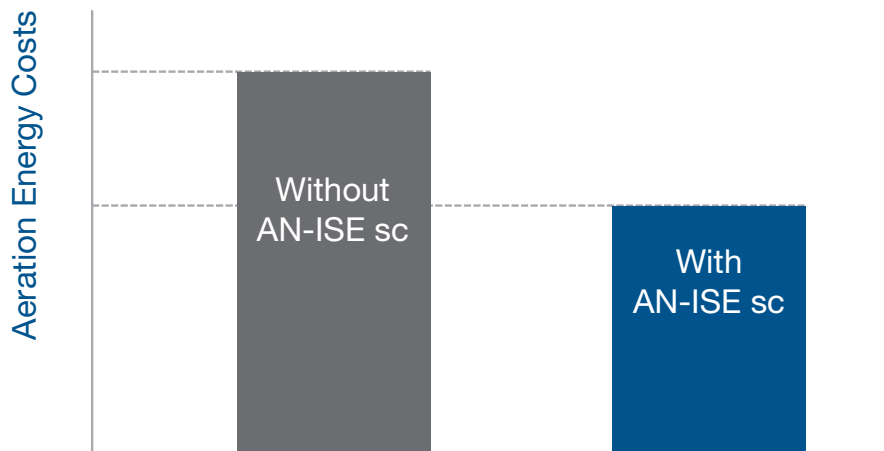
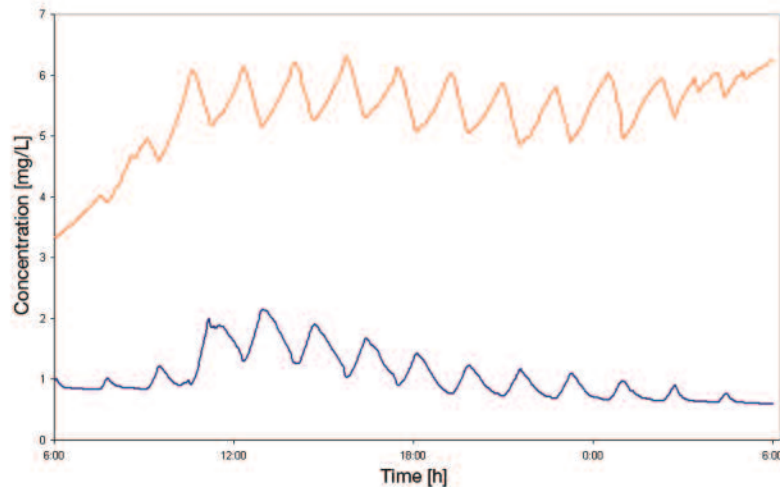
Cartrical plus cartridges for ammonium (NH_4) and nitrate (NO_3), with compensation of chloride (Cl) and potassium (K)

*Radio-Frequency Identification

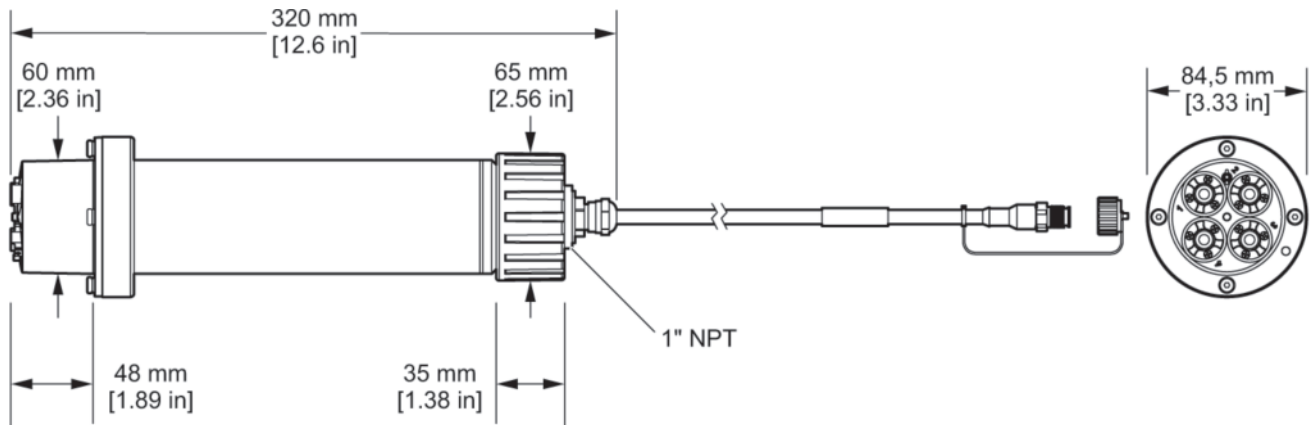
Specifications*

Measurement Method	Potentiometric ion-selective electrodes for ammonium, potassium, nitrate and chloride, reference system and temperature sensor	Flow	< 4 m/s
Measuring Ranges	0 to 1,000 mg/L NH ₄ -N 0 to 1,000 mg/L NO ₃ -N	Material Cartridge	Stainless steel (1.4571), PVC, POM, ABS, NBR
pH Range	5 to 9	Material Cleaning Unit	TPE, PUR, stainless steel (1.4571)
Power Consumption	1 W	Material Sensor	Stainless steel (1.4571), ASA + PC, silicon, PVC and PU
Response Time	< 3 min	Dimensions (D x L)	3.33 in x 12.6 in
Calibration Method	Factory calibrated sensor cartridge (Cartrical), 1 and 2 point matrix correction	Cable Length Sensor	33 in
Sample Temperature	35 to 104 °F	Controller Compatibility	SC200,SC1000
Operating Temperature	-4 to 113 °F	Process Connection	1 inch thread
Sensor Cartridge	Automatic import of factory calibration data, typical lifetime 12 months	Protection Class	IP 68
		Sample Pressure	4.35 psi
		Weight	5.3 lbs

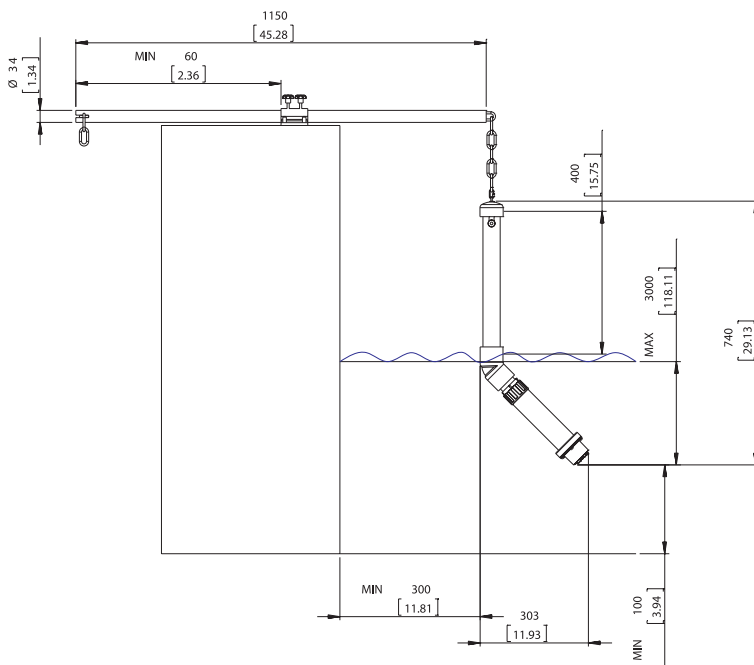
*Subject to changes without notice.



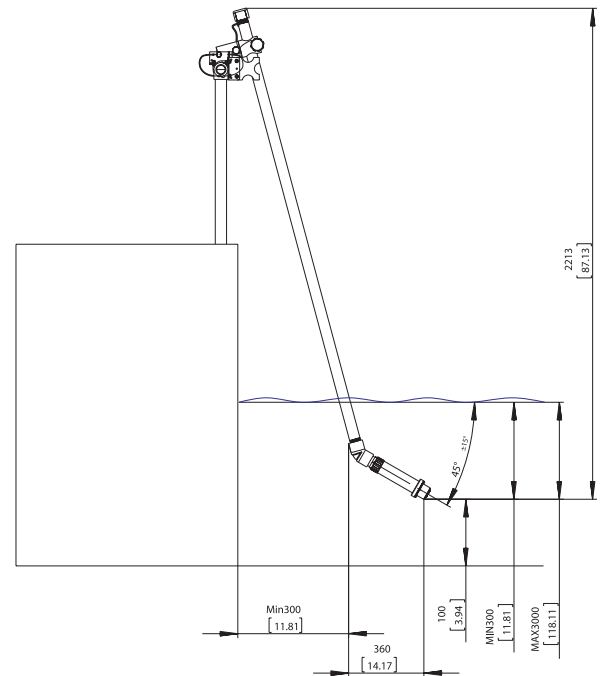
Dimensions



Installation / Mounting



Chain Mount Kit (PVC)



Rail Mount Kit (PVC)

Ordering Information

Probe

- LXV440.99.00002** AN-ISE sc: Combination Sensor for Ammonium and Nitrate (with RFID* technology)
- LXV440.99.00012** AN-ISE sc Combination Sensor for Ammonium and Nitrate (without RFID* technology)

Mounting Hardware

- 6184900** Rail mounting Kit (PVC) for ISE sensors
- LZX914.99.12400** Chain mounting for ISE sensors (PVC)
- LZY714.99.32320** Rim mounting Kit (stainless steel) for AN-ISE sensors

Cartridge

- LZY694** Cartrical sensor cartridge for AN-ISE

Air Cleaning Systems (Optional)

- LZY706** Cleaning unit for AN-ISE sensor
- 6860000** High Output Air Blast Cleaning Compressor, 115 Vac
- 6860100** High Output Airblast Cleaning system for air cleaning, 230 Vac

Controller

- LXV404.99.00552** SC200 controller for Hach digital process sensors
- LXV400.99.10082** SC1000 Probe Module, 6 Sensors, 100-240 Vac
- LXV402.99.00002** SC1000 Display Module

*RFID = Radio- Frequency Identification

HACH COMPANY World Headquarters: Loveland, Colorado USA

United States: 800-227-4224 tel 970-669-2932 fax orders@hach.com
 Outside United States: 970-669-3050 tel 970-461-3939 fax int@hach.com

www.hach.com