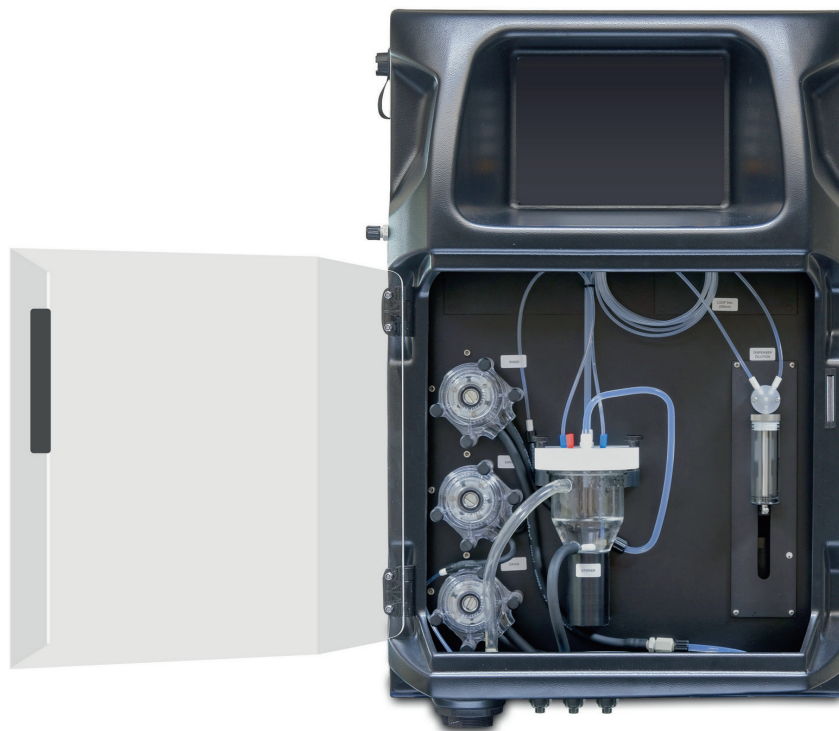


EZ9750 External Dilution Unit

Applications

- Wastewater
- Surface Water
- Process Water



Product image may differ from actual product. Please refer to technical drawings.

Convenient and precise sample dilution up to 1/250 - compatible with EZ Series online analyzers

About the EZ9000 Series

The successful implementation of online analyzers in process control strategies could not have been achieved without the development of a new generation of automatic sampling and sample preconditioning systems. The EZ9000 Series are the result of many years of experience in filtration, dilution and settling.

The EZ9750 is an external dilution unit designed for sample dilution in water analysis applications where concentrations of the analyte are so elevated that absorbance readings would be out of range, while any internal sample dilution would not be sufficient to cover the broad measuring range. The unit combines a number of features with ease of use:

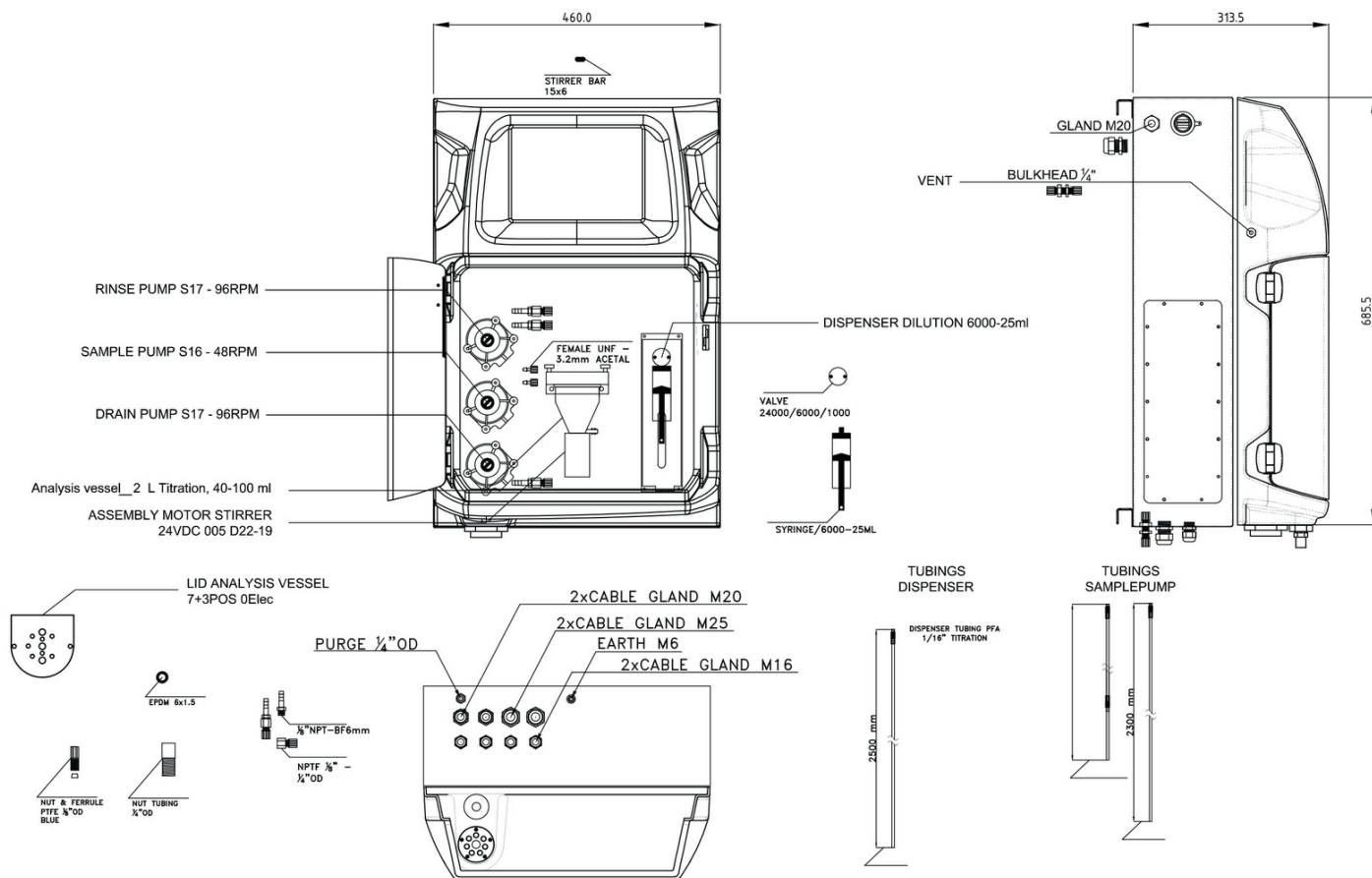
- Discontinuous sample dilution system for external dilution up to 1/250
- Robust alternative to internal sample dilution by micropump or dispenser
- Dilution with demineralized water
- Fully controlled by analyzer panel PC

Technical Data*

Dilution	1/50, 1/100, 1/150, 1/200, 1/250; controlled by analyzer
Cleaning	Automatic; frequency freely programmable
Required Fast Loop	100 - 300 mL/min
Sample Temperature	Max. 65 °C (149 °F)
Instrument Air	Dry and oil free according to ISA-S7.0.01-1996 quality standard for instrument air
Drain	1/4" OD tubing
Demineralized Water	For dilution
Power	100 - 240 VAC, 50/60 Hz Max. power consumption: 120 VA
Earth Connection	Dry and clean earth pole with low impedance (< 1 Ohm) using an earth cable of > 2.5 mm ²
Protection Class	IP55
Material	Cabinet: PVC Dilution vessel: borosilicate glass Tubing: Norprene, PFA, PE
Dimensions (H x W x D)	690 mm x 465 mm x 330 mm
Weight	25 kg (55 lbs.)

**Subject to change without notice.*

Dimensions - Drawings



Hach Service

With Hach Service, you have a global partner who understands your needs and cares about delivering timely, high-quality service you can trust. Our Service Team brings unique expertise to help you maximize instrument uptime, ensure data integrity, maintain operational stability, and reduce compliance risk.

Order Information - Part Number Configurator

External dilution unit, master for +1 analyzers	EZ9750.99	X	X	X	X	X	2
Dilution ratio							
Max. 50x dilution		1					
Max. 100x dilution		2					
Max. 150x dilution		3					
Max. 200x dilution		4					
Max. 250x dilution		5					
Power supply							
Standard 100 - 240 VAC, 50/60 Hz			0				
Number of sample streams							
1 stream					1		
2 streams (total # of streams from connected analyzer(s))					2		
3 streams (total # of streams from connected analyzer(s))					3		
4 streams (total # of streams from connected analyzer(s))					4		
5 streams (total # of streams from connected analyzer(s))					5		
6 streams (total # of streams from connected analyzer(s))					6		
7 streams (total # of streams from connected analyzer(s))					7		
8 streams (total # of streams from connected analyzer(s))					8		
Number of analyzers^{*)}							
1 analyzer						1	
2 analyzers						2	
3 analyzers						3	
No adaption, standard version							0

^{*)}Similar dilution ratios required.

Hach World Headquarters: Loveland, Colorado USA

United States: 800-227-4224 tel 970-669-2932 fax orders@hach.com

Outside United States: 970-669-3050 tel 970-461-3939 fax int@hach.com

hach.com

Printed in U.S.A.

©Hach Company, 2020. All rights reserved.

In the interest of improving and updating its equipment, Hach Company reserves the right to alter specifications to equipment at any time.



Be Right™