

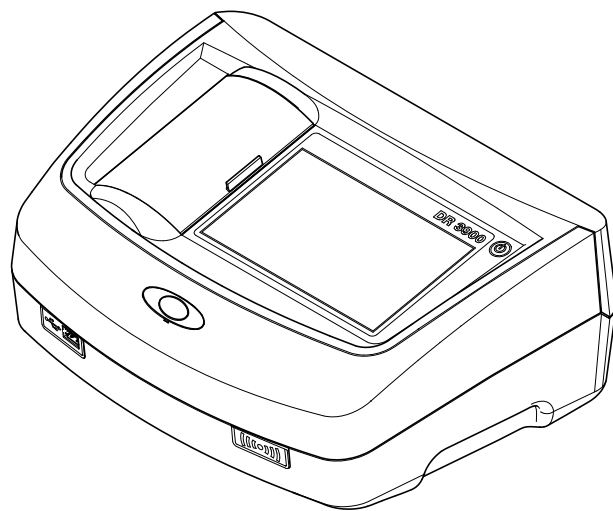


DOC022.97.90324

DR 3900

02/2025, Edition 123

Basic User Manual en
Manuel d'utilisation de base fr
Manual básico del usuario es
Manual do utilizador básico pt
基本用户手册 zh
基本ユーザー マニュアル ja
دليل المستخدم الأساسي ar



English	3
Français	23
Español	43
Português	65
中文	85
日本語	103
.....	123
جائزية لإ	143

Specifications

These are subject to change without notice!

Performance specifications	
Operating mode	Transmittance (%), Absorbance and Concentration
Source lamp	Halogen lamp
Wavelength range	320–1100 nm
Wavelength Accuracy	± 1.5 nm (wavelength range 340–900 nm)
Wavelength reproducibility	± 0.1 nm
Wavelength resolution	1 nm
Wavelength calibration	Automatic
Wavelength selection	Automatic, based on method selection
Scanning speed	≥ 8 nm/s (in steps of 1 nm)
Spectral bandwidth	5 nm
Photometric measuring range	± 3.0 Abs (wavelength range 340–900 nm)
Photometric accuracy	5 m Abs at 0.0–0.5 Abs 1% at 0.50–2.0 Abs
Photometric linearity	< 0.5% to 2 Abs ≤1% at > 2 Abs with neutral glass at 546 nm
Stray light	< 0.1% T at 340 nm with NaNO ₂
Data log	2000 readings (Result, Date, Time, Sample ID, User ID)
User programs	100

Performance specifications	
Physical and environmental specifications	
Width	350 mm (13.78 in)
Height	151 mm (5.94 in)
Depth	255 mm (10.04 in)
Mass	4200 g (9.26 lb)
Ambient operating requirements	10–40 °C (50–104 °F), maximum 80% relative humidity (without condensate formation)
Ambient storage requirements	–40–60 °C (–40–140 °F), maximum 80% relative humidity (without condensate formation)
Additional technical data	
Power connector via external power supply	Input: 100–240 V ± 10 VAC/50–60 Hz Output: 15 V/40 VA
Interfaces	Use only shielded cable with maximum length of 3 m: 2x USB type A 1x USB type B Use only shielded cable (e.g. STP, FTP, S/FTP) with maximum length of 20 m: 1x Ethernet
Enclosure rating	IP40
Protection class	Class I
Altitude	2000 m
Pollution degree	2
Overvoltage category	II
Environmental conditions	Indoor use only
Power supply	External power supply

General Information

Safety information

Please read this entire manual before unpacking, setting up, or operating this equipment. Pay attention to all danger and caution statements. Failure to do so could result in serious injury to the operator or damage to the equipment.

To make sure that the protection provided by this instrument is not impaired, do not use or install this instrument in any manner other than that specified in these operating instructions.

DANGER

Indicates a potentially or imminently hazardous situation that, if not avoided, results in death or serious injury.

WARNING

Indicates a potentially or imminently hazardous situation that, if not avoided, may result in death or serious injury.

CAUTION

Indicates a potentially hazardous situation that may result in minor or moderate injury.

NOTICE

Indicates a situation that, if not avoided, could result in damage to the instrument. Information that requires special emphasis.

Note: Information that supplements points in the main text.

Precautionary labels

Read all labels and tags attached to the instrument. Personal injury or damage to the instrument could occur if this information is not observed.

A symbol, if noted on the instrument, will be included with a danger or caution statement in the operating instructions.



This symbol, if noted on the instrument, references the user manual for operation and/or safety information.



Electrical equipment marked with this symbol may not be disposed of in European domestic or public disposal systems after 12 August 2005. In conformity with European local and national regulations (EU Directive 2002/96/EC), European electrical equipment users must now return old or end-of life equipment to the manufacturer for disposal at no charge to the user.

Note: For return for recycling, please contact the equipment manufacturer or supplier for instructions on how to return end-of-life equipment, manufacturer-supplied electrical accessories, and all auxiliary items for correct disposal.

RFID module (not available on all models)

RFID technology is a radio application. Radio applications are subject to national conditions of authorisation. In case of doubt, please contact the distributor.

The DR 3900 contains an RFID module to receive and transmit information and data. The RFID module operates with a frequency of 13.56 MHz.

WARNING

The spectrophotometer may not be used in dangerous environments.

The manufacturer and its suppliers reject any express or indirect guarantee for the use with High Risk Activities.

Follow the following safety information, in addition to any local guidelines in force.

Safety information for the correct use of the instrument:

- Do not operate the instrument in hospitals or comparable establishments in proximity to medical equipment, like pace makers or hearing aids.
- Do not operate the instrument near highly flammable substances, such as fuels, highly combustible chemicals and explosives.
- Do not operate the instrument near combustible gases, vapors or dust.
- Do not vibrate or jolt the instrument.
- The instrument can cause interference in immediate proximity to televisions, radios and computers.
- Do not open the instrument.
- Improper use of the instrument voids the warranty.

Certification (integrated RFID module)

FCC ID: YUH-QR15HL / YUH-Q152

IC : 9278A-QR15HL / 9278A-Q152

This device complies with Part 15 of the FCC rules and Industry Canada license exempt RSS standard(s).

Operation is subject to the following two conditions:

1. this device may not cause interference, and
2. this device must accept any interference, including interference that may cause undesired operation of the device.

Changes or modifications to this equipment not expressly approved by the party responsible for compliance could void the user's authority to operate the equipment.

This equipment has been tested and found to comply with the limits for a Class A digital device, pursuant to Part 15 of the FCC rules. These limits are designed to provide reasonable protection against harmful interference when the equipment is operated in a commercial environment. This equipment generates, uses and can radiate radio frequency energy and, if not installed and used in accordance with the instruction manual, may cause harmful interference to radio communications. Operation of this equipment in a residential area is

likely to cause harmful interference, in which case the user will be required to correct the interference at their expense. The following techniques can be used to reduce interference problems:

1. Disconnect the equipment from its power source to verify that it is or is not the source of the interference.
2. If the equipment is connected to the same outlet as the device experiencing interference, connect the equipment to a different outlet.
3. Move the equipment away from the device receiving the interference.
4. Reposition the receiving antenna for the device receiving the interference.
5. Try combinations of the above.

Chemical and Biological Safety

⚠ DANGER

Potential danger in the event of contact with chemical/biological materials. Handling chemical samples, standards and reagents can be dangerous. Familiarise yourself with the necessary safety procedures and the correct handling of the chemicals before the work and read and follow all relevant safety data sheets.

Normal operation of this instrument may involve the use of hazardous chemicals or biologically harmful samples.

- Observe all cautionary information printed on the original solution containers and safety data sheet prior to their use.
- Dispose of all consumed solutions in accordance with national regulations and laws.
- Select the type of protective equipment suitable to the concentration and quantity of the dangerous material at the respective work place.

Overview of product

The DR 3900 is a VIS spectrophotometer with a wavelength range of 320 to 1100 nm. The instrument is delivered with a complete series of application programs and supports several languages.

The spectrophotometer DR 3900 contains the following programs and operating types:

- Stored programs (pre-installed tests)
- Barcode Programs
- User Programs
- Favorites
- Single Wavelength
- Multi Wavelength
- Wavelength Scan
- Time course

The DR 3900 Spectrophotometer provides digital readouts in direct concentration units, absorbance or percent transmittance.

When selecting a user-generated or programmed method, the menus and prompts serve to direct the user through the test.

This menu system can also generate reports, statistical evaluations of generated calibration curves and to report instrument diagnostic checks.

Installation

WARNING

Electrical and fire hazards.

Only use the supplied benchtop power supply LZV844.

Only qualified experts may perform the tasks described in this section of the manual, while adhering to all locally valid safety regulations.

Unpack the instrument

The DR 3900 Spectrophotometer comes packaged with the following items:

- DR 3900 spectrophotometer
- Dust Cover
- USB dust cover, fitted as standard
- Benchtop power supply with power cord for US, GB
- Cell adapter A
- Light shield, fitted as standard in the DR 3900
- Operator RFID tag (not available on all models)
- Basic operating instructions DR 3900, operating instructions LINK2SC

Further information, detailed user manuals and documentation are available on the website of the manufacturer.

Note: *If any of these items are missing or damaged, please contact the manufacturer or a sales representative immediately.*

Operating environment

Note the following points so that the instrument will operate perfectly and have a long service life.

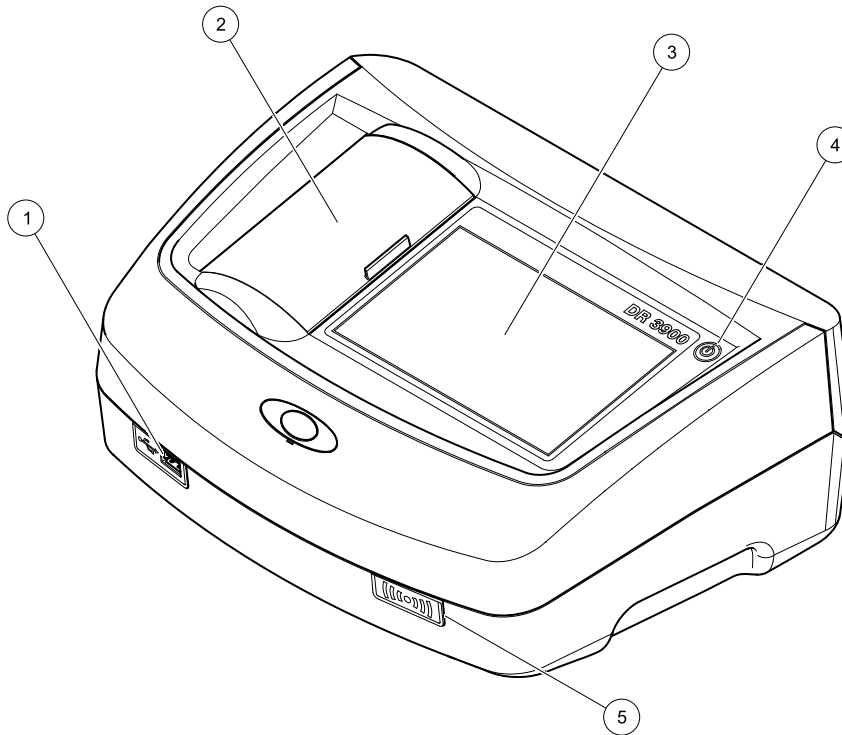
- Place the instrument firmly on an even surface. Do not push any objects under the instrument.
- The ambient temperature must be 10–40 °C (50–104 °F).
- The relative humidity should be less than 80%; moisture should not condense on the instrument.
- Leave at least a 15 cm clearance at the top and on all sides for air circulation, to avoid overheating of electrical parts.
- Do not operate or store the instrument in extremely dusty, humid or wet locations.
- Keep the surface of the instrument, the cell compartment and all accessories clean and dry at all times. Immediately remove splashes or spilt materials on or in the instrument.

NOTICE

Protect the instrument from extreme temperatures from heaters, direct sunlight and other heat sources.

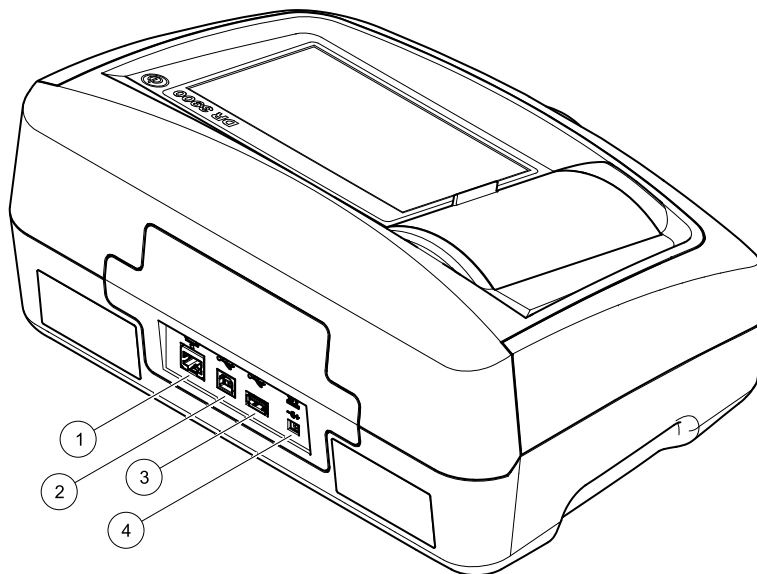
Front and back view

Figure 1 Front view



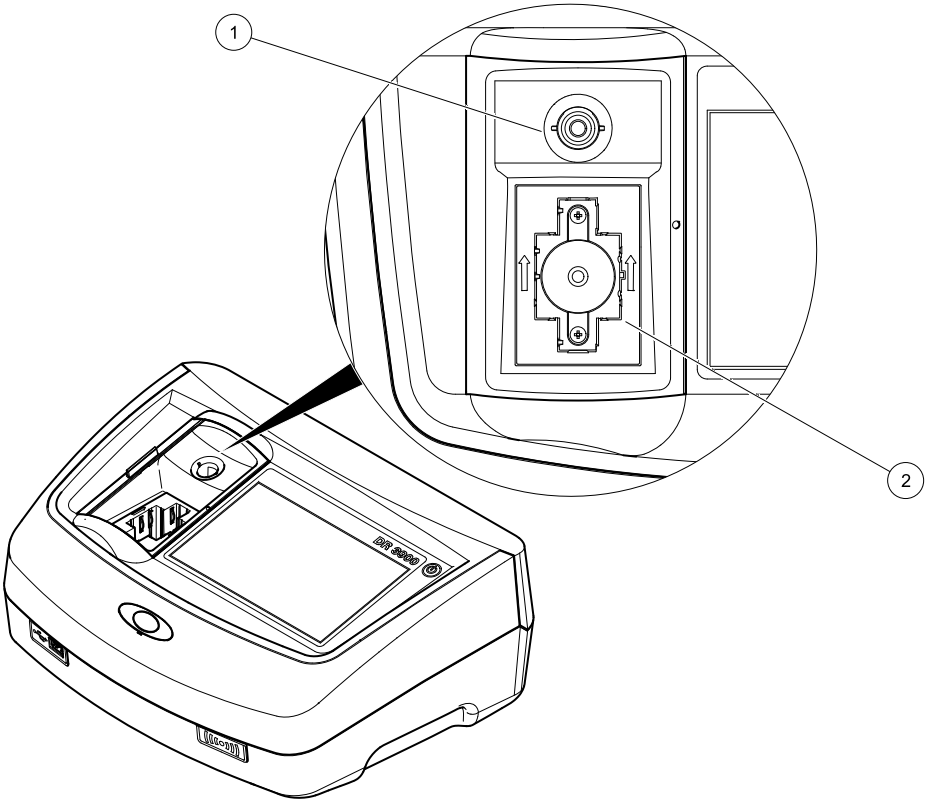
1	USB port type A	4	On/off switch
2	Cell compartment cover	5	RFID module (not available on all models)
3	Touch screen		

Figure 2 Back view



1	Ethernet port	3	USB port type A
2	USB port type B	4	Connection for benchtop power supply

Figure 3 Cell compartments



1 Cell compartment for round cells (1)

2 Cell compartment for rectangular cells (2)

Power connections

WARNING

Electrical and fire hazards.
Only use the supplied benchtop power supply LZV844.

1. Connect the power cable to the benchtop power supply.
2. Plug the benchtop power supply cable into the back of the instrument (Figure 2, page 9).
3. Insert the power cable plug into a mains socket (100–240 V~/50–60 Hz).

Turn on the power button next to the display to turn on the power supply (Figure 1, page 8).

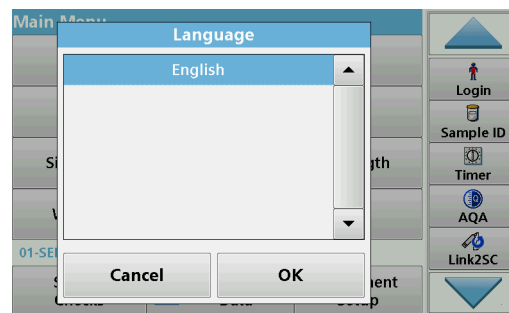
Startup

Switch on the instrument, startup process

1. Connect the power cable to the mains outlet.
2. Switch on the instrument by using the power button next to the display.
3. The instrument starts automatically with a startup process lasting approximately 45 seconds. The display shows the logo of the manufacturer. At the end of the startup process, a startup melody is heard.

Note: Wait approximately **20 seconds** before switching on again so as not to damage the electronics and mechanics of the instrument.

Language selection



The DR 3900 software includes several language options. The first time the instrument is switched on, the language selection screen will be shown automatically after the startup process.

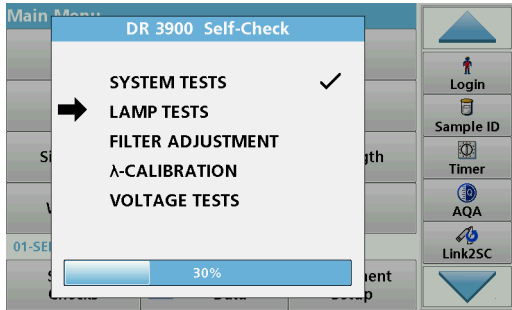
1. Select the required language.
2. Press **OK** to confirm the language selection. The self-check will then start automatically.

Change the language setting

The instrument functions in the selected language until the option is changed.

1. Turn the instrument on.
2. During the startup process, touch any point on the screen and maintain contact until the option for selecting a language is shown (approximately 45 seconds).
3. Select the required language.
4. Press **OK** to confirm the language selection. The self-check will then start automatically.

Self-check



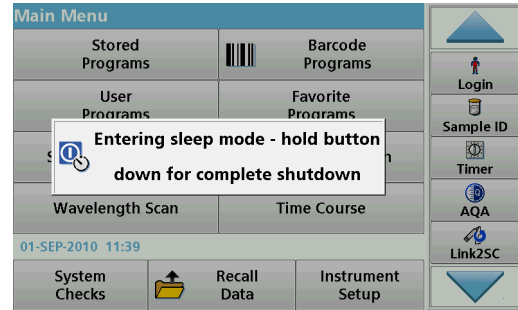
Each time the instrument is powered up, a test program begins.

This procedure, which takes approximately two minutes, checks the system, lamp, filter adjustment, wavelength calibration and voltage. Each test that functions correctly is marked accordingly.

The Main Menu is displayed when diagnostics are completed.

Note: In the event of further error messages during the test program, refer to [Troubleshooting, page 19](#).

Sleep mode



The instrument can be put into sleep mode.

1. Briefly press the power button next to the display.
The "Sleep mode" message is shown. The display will then switch off automatically.
2. To switch on, press the power button next to the display.
The self-check will start automatically.
After that, the instrument is ready to use.

Power off the instrument

1. Press the power button next to the display for approximately 5 seconds.

Standard programs

Tips for the use of the touch screen

The whole screen responds to touch. To choose an option, tap with a fingernail, fingertip, an eraser or a specialised stylus. Do not press the screen with a sharp object, such as the tip of a ballpoint pen.

- Do not place anything on top of the screen, to prevent damage or scratches on the screen.
- Press buttons, words or icons to select them.
- Use scroll bars to move up and down long lists very quickly. Press and hold the scroll bar, then move up or down to move through the list.
- Highlight an item from a list by pressing it once. When the item has been successfully selected, it will be displayed as reversed text (light text on a dark background).

Use of the alphanumeric keypad



This display is used to enter letters, numbers and symbols as needed when programming the instrument. Unavailable options are disabled (grayed out). The icons on the right and left of the screen are described in [Table 1](#).

The central keypad changes to reflect the chosen entry mode. Press a key repeatedly until the desired character appears on the screen. A space can be entered by using the underscore on the **YZ_** key.

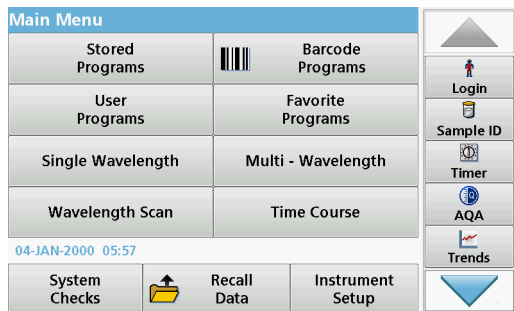
Press **Cancel** to cancel an entry, or press **OK** to confirm an entry.

Note: It is also possible to use a **USB keyboard (with US keyboard layout)** or a **hand-held USB barcode scanner**.

Table 1 Alphanumeric keypad

Icon / key	Description	Function
ABC/abc	Alphabetic	Toggles the character input mode between upper and lower case.
# %	Symbols	Punctuation, symbols and numerical sub- and superscripts may be entered.
123	Numeric	For entering regular numbers.
CE	Clear Entry	Clear the entry.
Left Arrow	Back	Deletes the current character and goes back one position.
Right Arrow	Next	Navigates to the next space in an entry.

Main menu



A variety of modes may be selected from the Main Menu. The following table briefly describes each menu option.

There is a toolbar on the right-hand side of the screen. Press to activate the various functions.

Table 2 Main Menu options

Option	Function
Stored Programs / Barcode Programs	Stored programs are pre-programmed methods that make use of HACH chemicals and vial tests. Further information, as well as illustrated, step-by-step process instructions for analyses using HACH programs, are available on the website of the manufacturer.
User Programs	User programs make "made to measure analysis" possible: <ul style="list-style-type: none"> • Users can program methods they have developed themselves • Existing HACH methods can be stored as user programs.
Favorites	List of methods/tests created by the user to suit his own requirements.

Table 2 Main Menu options

Option	Function
Single Wavelength	Single wavelength readings are: Absorbance readings: The light absorbed by the sample is measured in absorbance units. Transmittance reading (%): Measures the percent of the original light that passes through the sample and reaches the detector. Concentration readings: A concentration factor can be entered to enable the measured absorbance values to be converted into concentration values.
Multi Wavelength	In the Multi Wavelength mode, absorbance (Abs) or percentage transmittance (%T) is measured at up to four wavelengths and absorbance differences and absorbance relationships are calculated. Simple conversions into concentrations can also be carried out.
Wavelength Scan	A wavelength scan shows how the light from a sample is absorbed over a defined wavelength spectrum. This function can be used to determine the wavelength at which the maximum absorbance value can be measured. The absorbance behavior is displayed graphically during the scan.
Time course	The time scan records the absorbance or % transmittance at a wavelength over a defined time.
System checks	The "System check" menu offers a number of options, including optical checks, output checks, lamp history, instrument update, service time, settings for analytical quality assurance and instrument backup.
Recall measurement data	Stored data can be called up, filtered, sent and deleted.
Instrument Setup	In this mode, user-specific or method-specific settings can be entered: operator ID, sample ID, date & time, sound, PC & printer, password, energy-saving mode and stored data.

Save, recall, send and delete data

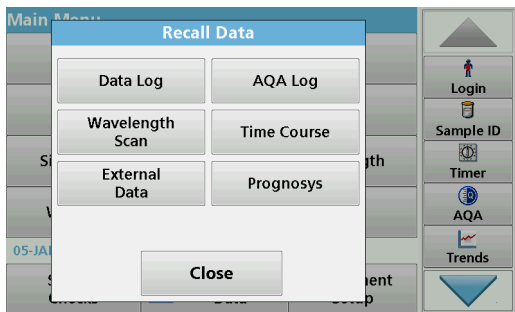
The data log

The data log can store up to 2000 readings saved by the following programs:

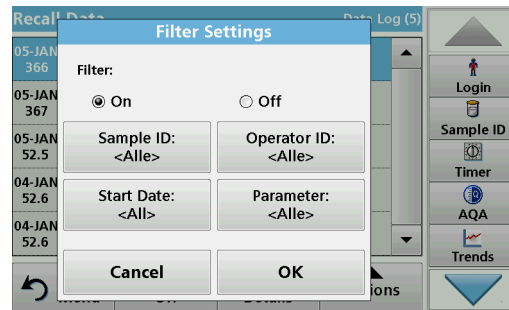
- Stored Programs,
- Barcode Programs,
- User programs,
- Favorites,
- Single Wavelength and
- Multi Wavelength.

A complete record of the analysis is stored, including the Date, Time, Results, Sample ID and Operator ID.

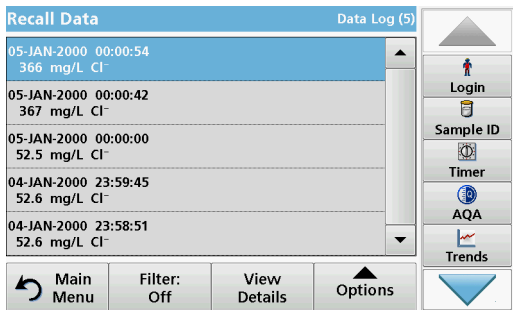
Recall stored data from the data log



1. Press **Recall Data** in the Main Menu.
2. Press **Data Log**.
A listing of the stored data is displayed.



3. Press **Filter: On/Off**.
The function **Filter Settings** is used to search for specific items.
4. Activate **On**. The data can now be filtered using the following selection criteria.
 - Sample ID
 - Operator ID
 - Start Date
 - Parameteror any combination of the four.



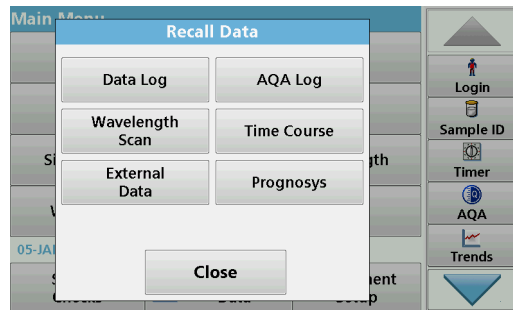
5. Press **OK** to confirm the selection.
The chosen items are listed.
6. Press **View Details** to get more information.

Send data from the data log

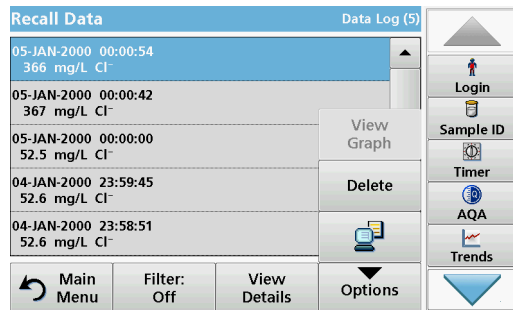
NOTICE

Network and access point security is the responsibility of the customer that uses the wireless instrument. The manufacturer will not be liable for any damages, inclusive however not limited to indirect, special, consequential or incidental damages, that have been caused by a gap in, or breach of network security.

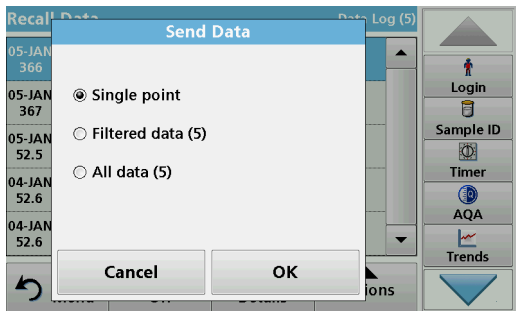
Data is sent from the internal data log as an XML (Extensible Markup Language) file or as a CSV (Comma Separated Value) file, to a directory with the name DataLog on a USB mass storage device or a network drive. The file can then be processed using a spreadsheet program. The file name has the format: DLYear-Month-Day_Hour_Minute_Second.csv or DLYear-Month-Day_Hour_Minute_Second.xml.



1. Plug the USB storage device into the USB type A port on the DR 3900, or connect the DR 3900 to a network drive.
2. Press **Recall Data** from the Main Menu.
3. Select the data category to be transferred, e.g. **Data Log**.
A list of the selected measurement data is displayed.



4. Press **Options** and then the **PC & Printer** icon.



5. Select the data to be sent.
The following options are available:
 - **Single point:** only this selected reading will be sent
 - **Filtered data:** only readings that correspond to the set filters will be sent
 - **All data:** all data in the selected data category will be sent.
6. Press **OK** to confirm.

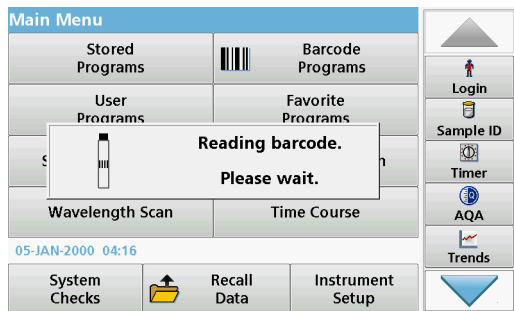
Note: The number in parentheses is the total number of data sets assigned to this selection.

Stored Programs

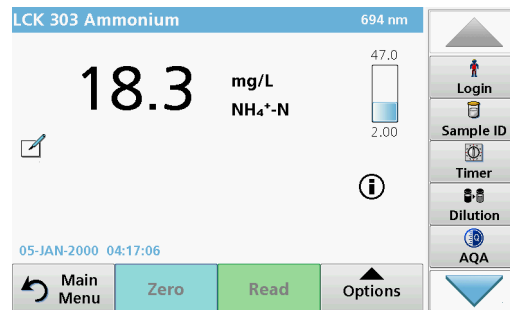
Stored Programs		
10	Aluminium Alumin.	0.800 mg/L
9	Aluminium ECR	0.250 mg/L
20	Barium	100 mg/L
30	Benzotriazol	16.0 mg/L
280	Blei Dithizon	300 µg/L
283	Blei LeadTrak	150 µg/L
40	Bor	14.0 mg/L
50	Brom	4.50 mg/L
55	Brom AV	4.50 mg/L
434	COD FD HR	1000 mg/L

1. Press **Stored Programs** in the Main Menu to view an alphabetical list of stored programs with program numbers.
The "Stored Programs" list will appear.
2. Highlight the required test.
Hinweis: Select the program by name or scroll through the list using the arrow keys. Highlight the program or press **Select by No.** to search for a specific program number. Press **OK** to confirm.
3. Press **Start** to run the program. The respective measurement window is displayed.
Hinweis: All corresponding data (wavelength, factors and constants) is already preset.
4. Follow the instructions for chemical procedures in the relevant procedures manual. Further information are available on the website of the manufacturer.
Hinweis: To display the procedural instructions in the display, press the info icon. Not all programs have this option.

Complete a barcode test



1. Insert the light shield into cell compartment (2).
2. Prepare the barcode test according to the process specification, and insert the cell in cell compartment (1).
 - When a coded cell is placed in cell compartment (1) (Figure 3, page 10), the corresponding reading program is automatically activated in the Main Menu.
 - Otherwise, press **Barcode Programs** in the Main Menu and insert a zero cell (depending on process specification) into cell compartment (1).



The reading is started automatically and the results are displayed.

To evaluate other cell tests and other parameters, insert the prepared cell into the cell compartment and read off the result.

Note: The control bar displayed on the right of the screen shows the relationship of the reading result to the measuring range. The black bar shows the measured result independently of any dilution factor that was entered.

Select the chemical evaluation form

The chemical form of the test result of a number of parameters can be selected individually.

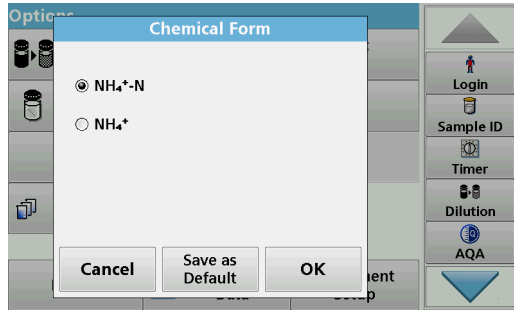
1. In the result display, press the unit (e. g. mg/L) or the chemical representation of the evaluation form (e. g. PO₄³⁻-P).

A list of available evaluation forms appears.

2. Select the required form from the list. Press **OK** to confirm.

Another way of changing the standard setting is:

Troubleshooting



1. In the result display, press **Options>More>Chemical Form**.
A list of available evaluation forms appear.
2. Select the required chemical form and press **OK** to confirm.
Hinweis: *The selected chemical form is displayed, but does not become the default. To change the default, refer to [section Change of the default setting of the chemical form](#).*

Change of the default setting of the chemical form

1. Insert the zero cell or sample cell (corresponding to the process specification) into the cell compartment.
2. In the result display, press **Options>More>Chemical Form**.
3. A list of available evaluation forms appear. Select the new default setting.
4. Press **Save as Default**.

The current result and all further readings will be displayed in the new chemical form.

Error displayed	Definition	Resolution
Attention! Please insert the light shield.	Readings with barcode cuvettes generally require the light shield.	Insert the light shield. Press OK .
Barcode label not read	Barcode faulty	Reinsert the cell. If the barcode is not recognised, contact the manufacturer or his representative.
An error occurred when uploading the instrument data.		Start the procedure again or contact the manufacturer or his representative.
An error occurred when reading from the USB memory stick.		Start the procedure again or contact the manufacturer or his representative.
An error occurred when writing to the USB memory stick.		Start the procedure again or contact the manufacturer or his representative.
Please check on the current update file.	Error during update.	Check the USB memory stick.
Please contact Customer Services.	Error during update.	
Please check network configuration.		
Please check the connection.		
Please close the cover.		Close the cover.

Error displayed	Definition	Resolution
Please insert the USB memory stick.		Insert a USB memory stick into a USB A port on the instrument.
Please check the connection and contact the administrator.	Network setup or FTP error	
Blank value correction not possible!	Blank value correction not possible with LCW919.	
File for instrument update missing.	Error during update.	Check the USB memory stick.
File for instrument update is faulty.	Error during update.	Save the update file again and repeat the procedure.
It's recommended to execute a Full System Check	Check of the air values failed	Switch the instrument of and then back on again. If the system check is not successful, contact the manufacturer or his representative.
Entry invalid!	Password incorrect	Forgotten your password? Contact the manufacturer or his representative.
Absorbance > 3.5!	The measured absorbance exceeds 3.5	Dilute sample and measure again
Fault Barcode check number? Please update program data!	Deviation to the stored data	Data updating
Error when calling up the local IP address.	Network setup: DHCP client has no connection to the DHCP server	Enter the IP address again.

Error displayed	Definition	Resolution
Error during default gateway setup.	Network setup: default gateway cannot be set for fixed IP address	Try to create the connection again.
Error during network drive setup!	Error during network setup	Check the settings.
Error during subnet mask setup.	Network setup: Subnet mask cannot be set for fixed IP address	Enter the subnet mask again.
Error copying from USB memory stick.	Error during update	Start the procedure again or contact the manufacturer or his representative.
Error in FTP connection.	FTP error	Make sure that the instrument is connected to the network.
Fault Program not accessible. Please update program data!	Barcode test not present	Data updating
Fault Clean cuvette!	The cuvette is soiled or there are undissolved particles in the cuvette	Clean the cuvette; allow the particles to settle
Fault Test program stopped! Please check lamp Close the lid. Error [xx]	Test program stops when the instrument is started	Check the lamp and replace it if necessary. Close lid. Press Start Again .
Fault Test program stopped! Please remove the cuvette Close the lid.	Test program stops when the instrument is started	Remove the cuvette/ sample cell from the cell compartment. Press OK .

Error displayed	Definition	Resolution
Error Selfcheck stopped. Hardware error. Error [x]	Electronic defect	Contact the manufacturer or a sales representative and indicate the error number
Error Too much ambient light! Move instrument into shade or close the lid	The instrument sensors detects too much ambient light.	Decrease ambient light. (Avoid direct sunlight.) Close lid.
No help function is available for this program.		
Shelf life exceeded! Use chemicals?		The analysis is possibly erroneous. Use new chemicals
No evaluation!	Error in the test database / user database	Check programming Contact the manufacturer or a sales representative
No barcode!	No barcode found	Reinsert the cell. If the barcode is not recognised, contact the manufacturer or his representative.
No instrument backup present!		Check the USB memory stick.
No valid data for these parameters!	Data analysis not possible, no measurement data	Change the selection.
No valid data found!	View Data not possible in data log	Change the selection.
No help function present.		

Error displayed	Definition	Resolution
No measurement data present!	Data analysis settings cannot be configured without measurement data.	Change the selection.
Control range not reached!	Data analysis limits not reached	This is a warning notice. The control limit set was not reached.
Control range exceeded!	Data analysis limits exceeded.	This is a warning notice. The control limit was exceeded.
Concentration too high!	Calculated concentration is higher than 999999	Dilute sample and measure again
Over measuring range	The measured absorbance is above the calibration range of the test	Dilute sample and measure again
Under measuring range	The measured absorbance is below the calibration range of the test	If possible, select a test with a lower reading range or use a cuvette with a longer path length
Possible interference by:	Interference Check	The analysis is possibly erroneous due to interferences.
Possible interference from:	Interference Check	The analysis is possibly erroneous due to interferences.
Next service is due!		Contact the manufacturer or his representative for an inspection of the instrument.
Negative result!	The calculated result is negative	Check concentration of sample
Network switched off.	Network setup off, when access to instruments homepage via sidebar	Activate the online connection.

Error displayed	Definition	Resolution
Remote server cannot be reached.	Error during network setup	Make sure that the instrument is connected to the network.
Unstable lighting conditions!		Avoid direct sunlight at the measuring location.
Insufficient memory for update .	Error during update.	Select a memory with more space.
System check incorrect!	Measurement of air values failed	Switch the instrument of and then back on again. If the system check is not successful, contact the manufacturer or his representative.
Temperature too high. Measurement not possible!		Switch of the instrument and allow it to cool for a few minutes. If necessary, move it to a cooler place.
Update file is faulty.	Error during update.	Save the update file again and repeat the procedure.
USB memory stick is not connected.	Update not possible.	Check the USB memory stick.
Web server cannot be reached.	Instruments homepage cannot be reached.	Try the connection again later.

Replacement Parts

Description	Cat. No.
Halogen lamp	LPZ440.99.00007
Cell adapter A for 1-cm rectangular and 1-inch round cells	LZV846
Cell adapter B for 3-cm rectangular cells, China only	LZV847
Light shield	LZV849
Bench top power supply	LZV844
Power cord EU	YAA080
Power cord CH	XLH051
Power cord UK	XLH057
Power cord US	XLH055
Power cable China/Australia	XLH069
Dust Cover	LZV845
Cell compartment	LZV848

Caractéristiques

Celles-ci sont susceptibles de modifications sans préavis!

Caractéristiques de performance	
Mode de fonctionnement	Transmission (%), Absorption et Concentration
Lampe source	Lampe halogène
Gamme de longueurs d'onde	320-1 100 nm
Précision de la longueur d'onde	± 1.5 nm (gamme de longueurs d'onde 340–900 nm)
Reproductibilité des longueurs d'onde	± 0.1 nm
Résolution de la longueur d'onde	1 nm
Étalonnage de la longueur d'onde	Automatique
Sélection de la longueur d'onde	Automatique, fondée sur la sélection de la méthode
Vitesse de balayage	≥ 8 nm/s (par incréments de 1 nm)
Largeur de bande spectrale	5 nm
Plage de mesure photométrique	± 3.0 Abs (gamme de longueurs d'onde 340–900 nm)
Exactitude photométrique	5 m Abs à 0.0-0.5 Abs 1% à 0.5-2.0 Abs
Linéarité photométrique	< 0.5% à 2 Abs ≤1% à > 2 Abs avec verre neutre à 546 nm

Caractéristiques de performance	
Lumière parasite	< 0.1% T à 340 nm avec NaNO ₂
Journal des données	2 000 mesures (résultat, date, heure, ID échantillon, ID utilisateur)
Programmes utilisateur	100

Caractéristiques physiques et environnementales	
Largeur	350 mm (13.78 pouces)
Hauteur	151 mm (5.94 pouces)
Profondeur	255 mm (10.04 pouces)
Poids	4 200 g (9.26 livres)
Conditions ambiantes de fonctionnement requises	10-40 °C (50-104 °F), maximum 80% d'humidité relative (sans condensation)
Conditions ambiantes de stockage requises	-40-60 °C (-40-140 °F), maximum 80% d'humidité relative (sans condensation)
Autres caractéristiques techniques	
Connecteur d'alimentation via une alimentation électrique externe	Entrée : 100-240 V ± 10 VAC/50-60 Hz Sortie : 15 V/40 VA
Interfaces	Utilisez uniquement un câble blindé d'une longueur de 3 m maximum : 2x USB type A 1x USB type B Utilisez uniquement un câble blindé (par exemple, STP, FTP, S/FTP) d'une longueur de 20 m maximum : 1x Ethernet

Caractéristiques de performance	
Indice de protection du boîtier	IP40
Classe de protection	Classe I
Altitude	2000 m
Niveau de pollution	2
Catégorie de surtension	II
Conditions environnementales	Utilisation intérieure seulement
Alimentation	Alimentation externe

Informations d'ordre général

Consignes de sécurité

Lisez la totalité du manuel avant de déballer, configurer ou utiliser cet appareil. Soyez particulièrement attentif à toutes les précautions et mises en garde, afin d'éviter d'endommager l'équipement ou de blesser gravement l'opérateur.

Pour vous assurer que la protection fournie par cet appareil n'est pas affectée, n'utilisez pas ou n'installez pas cet appareil d'une autre façon que celle décrite dans ces instructions d'utilisation.

⚠ DANGER

Signale une situation potentiellement dangereuse ou un danger imminent qui, s'il n'est pas évité, entraîne des blessures graves ou mortelles.

⚠ AVERTISSEMENT

Signale une situation potentiellement dangereuse ou un danger imminent qui peut entraîner des blessures graves ou mortelles si elle n'est pas évitée.

⚠ ATTENTION

Signale une situation potentiellement dangereuse qui peut provoquer des blessures légères à modérées.

AVIS

Signale une situation qui, si elle n'est pas évitée, pourrait endommager l'instrument. Informations auxquelles il faut accorder une attention particulière.

Remarque : informations supplémentaires pour l'utilisateur.

Étiquettes de mise en garde

Lisez toutes les étiquettes apposées sur l'instrument. Des personnes peuvent se blesser et le matériel peut être endommagé si ces informations ne sont pas respectées. Si un symbole « danger » ou « attention » se trouve sur l'instrument, une explication en est donnée dans les instructions d'utilisation.



Ce symbole, s'il figure sur l'instrument, fait référence au mode d'emploi concernant les informations sur le fonctionnement et/ou la sécurité.



Il est interdit de mettre au rebut le matériel électrique portant ce symbole dans les réseaux de collecte des déchets ménagers et les décharges publiques européennes depuis le 12 août 2005. Conformément aux réglementations locales, nationales et européennes (directive UE 2002/96/CE), les utilisateurs de matériel électrique de marque européenne doivent dorénavant retourner le matériel usagé ou en fin de vie à son fabricant lorsqu'ils souhaitent s'en débarrasser, sans que cela leur soit facturé.

Remarque : Pour le recyclage, veuillez contacter le fabricant ou le revendeur du matériel afin de savoir comment retourner le matériel, les accessoires électriques fournis par le fabricant et tous les accessoires auxiliaires en fin de vie, afin qu'ils soient mis au rebut correctement.

Module RFID (sur certains modèles uniquement)

La technologie RFID est une application radio. Les applications radio sont soumises à des autorisations nationales. En cas de doute, veuillez contacter le distributeur.

Le DR 3900 contient un module RFID permettant de recevoir et de transmettre des informations et des données. Le module RFID fonctionne à une fréquence de 13,56 MHz.

AVERTISSEMENT

Le spectrophotomètre ne doit pas être utilisé dans des environnements dangereux.

Le fabricant et ses fournisseurs rejettent toute garantie explicite ou implicite pour toute utilisation avec des activités à haut risque.

Respectez les informations de sécurité suivantes en complément des directives locales en vigueur.

Informations permettant d'utiliser l'instrument en toute sécurité :

- N'utilisez pas l'instrument dans des lieux tels que des hôpitaux, ni à proximité des équipements médicaux tels que des pacemakers ou des prothèses auditives.
- N'utilisez pas l'instrument à proximité de substances hautement inflammables, telles que des carburants, des produits chimiques hautement combustibles et des explosifs.
- N'utilisez pas l'instrument à proximité de gaz combustibles, ni dans des lieux humides ou poussiéreux.
- Évitez toute vibration ou choc sur l'instrument.
- L'instrument peut provoquer des interférences sur les télévisions, radios et ordinateurs situés à proximité.
- N'ouvrez pas l'instrument.
- Une utilisation inappropriée de l'instrument entraîne l'annulation de la garantie.

Certification (module RFID intégré)

FCC ID: YUH-QR15HL / YUH-Q152

IC: 9278A-QR15HL / 9278A-Q152

Ce dispositif est conforme à la partie 15 des réglementations FCC et aux normes CNR d'Industrie Canada relatives aux appareils exempts de licence.

Le fonctionnement est soumis aux deux conditions suivantes :

1. ce dispositif n'est pas susceptible d'entraîner des interférences et
2. ce dispositif doit tolérer toute interférence reçue, y compris les interférences qui peuvent entraîner un fonctionnement non souhaité du dispositif.

Les modifications apportées à cet équipement qui n'ont pas été expressément approuvées par le responsable de la conformité pourraient annuler l'autorité dont l'utilisateur dispose pour utiliser cet équipement.

Cet équipement a été testé et déclaré conforme aux limites définies pour les appareils numériques de classe A, conformément à la section 15 de la réglementation FCC. Ces limites sont conçues pour fournir une protection suffisante contre les interférences dommageables lorsque l'équipement est utilisé dans un environnement commercial. Cet équipement génère, utilise et peut irradier l'énergie des fréquences radio et, s'il n'est pas installé ou utilisé conformément au mode d'emploi, il peut entraîner des interférences dangereuses pour les communications radio. Le fonctionnement de cet équipement dans une zone résidentielle risque de causer des interférences nuisibles, dans ce cas l'utilisateur doit corriger les interférences à ses frais. Les techniques ci-dessous peuvent permettre de réduire les problèmes d'interférences :

1. Débrancher l'équipement de la prise de courant pour vérifier s'il est ou non la source des interférences.
2. Si l'équipement est branché sur le même circuit de prises que l'appareil qui subit des interférences, branchez l'équipement sur un circuit différent.
3. Éloigner l'équipement du dispositif qui reçoit l'interférence.
4. Repositionnez l'antenne de réception de l'appareil recevant l'interférence.
5. Essayez de combiner les différentes options proposées ci-dessus.

Sécurité chimique et biologique

⚠ DANGER

Danger potentiel en cas de contact avec des matériaux chimiques et biologiques. La manipulation d'échantillons chimiques, d'étalons et de réactifs peut s'avérer dangereuse. Prenez connaissance des procédures de sécurité et de manipulation des produits chimiques nécessaires avant d'utiliser l'instrument et respectez toutes les fiches techniques de sécurité appropriées.

Le fonctionnement normal de cet instrument implique l'utilisation d'échantillons chimiques ou biologiques dangereux ou potentiellement nocifs.

- Respectez toutes les informations de mise en garde imprimées sur les flacons contenant les solutions originales, ainsi que les informations fournies dans les fiches techniques de sécurité.
- Détruisez toutes les solutions usagées conformément aux réglementations et lois nationales.
- Utilisez un équipement de protection adapté à la concentration et à la quantité du matériau dangereux, ainsi qu'à votre poste de travail.

Synthèse du produit

Le spectrophotomètre DR 3900 est un spectrophotomètre de type VIS présentant une gamme de longueur d'onde comprise entre 320 et 1 100 nm. L'instrument est livré avec une série complète de programmes et prend en charge plusieurs langues.

Le spectrophotomètre DR 3900 contient les programmes et modes de fonctionnement suivants :

- Programmes enregistrés (tests préinstallés)
- Programmes codes à barres
- Programmes utilisateur
- Favoris
- Longueur d'onde unique
- Longueur d'onde - multi
- Balayage de longueurs d'onde
- Plage de temps

Le spectrophotomètre DR 3900 fournit directement des résultats numériques en unités de concentration, d'absorption ou en pourcentage de transmission.

Lorsqu'une méthode générée par l'utilisateur ou préprogrammée est sélectionnée, les menus et messages qui s'affichent à l'écran dirigent l'utilisateur tout au long du test.

Ce système de menus peut également créer des rapports, des évaluations statistiques des courbes d'étalonnage générées, et établir un rapport sur les contrôles diagnostics de l'instrument.

Installation

AVERTISSEMENT

Danger d'incendie ou de choc électrique.

N'utilisez que l'alimentation de table LZV844 fournie.

Les tâches décrites dans cette section du manuel doivent être réalisées exclusivement par des experts qualifiés dans le respect de toutes les réglementations de sécurité locales en vigueur.

Déballage de l'instrument

Le spectrophotomètre DR 3900 est fourni avec les accessoires suivants :

- Spectrophotomètre DR 3900
- Cache anti-poussière
- Pare-poussière USB standard
- Alimentation de table avec cordon pour Etats-Unis, G-B,
- Adaptateur pour cuves A
- Ecran protecteur de lumière standard sur le DR 3900
- Mention RFID opérateur (sur certains modèles uniquement)
- Consignes d'utilisation de base DR 3900, consignes d'utilisation LINK2SC

Pour plus d'informations, veuillez consulter les documents et manuels d'utilisation disponibles sur le site Internet du fabricant.

Remarque : Si un élément est absent ou endommagé, veuillez contacter immédiatement le fabricant ou un représentant.

Conditions d'utilisation

Prenez note des éléments suivants pour que l'instrument fonctionne parfaitement et bénéficie d'une longue durée de vie.

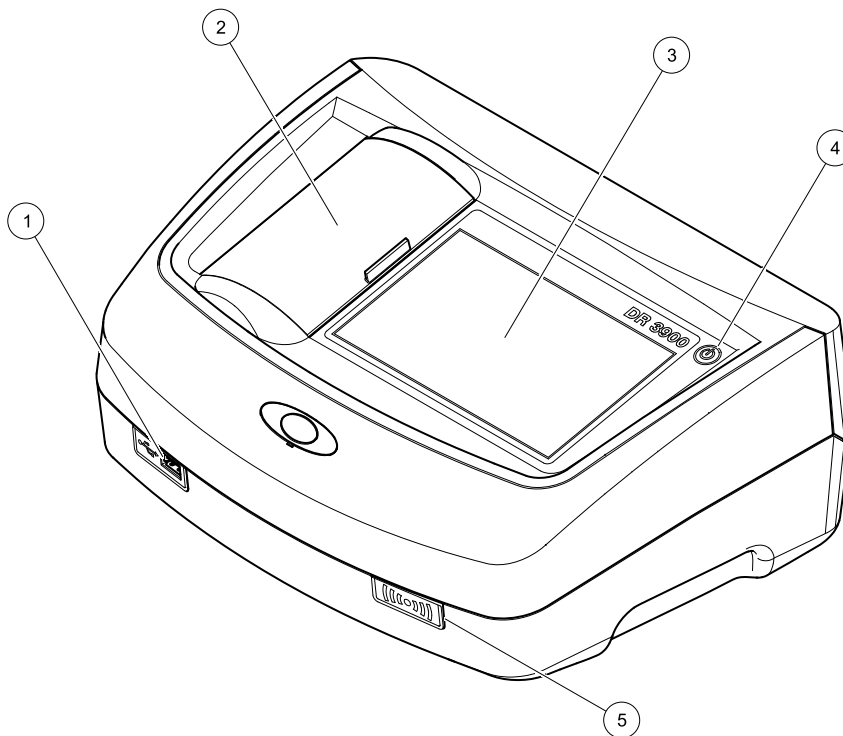
- Placez l'instrument sur une surface plane, afin qu'il soit stable. Ne poussez aucun objet sous l'instrument.
- La température ambiante doit être comprise entre 10 et 40 °C (50 et 104 °F).
- L'humidité relative doit être inférieure à 80% et aucune condensation ne doit se former sur l'instrument.
- Conservez un espace d'au moins 15 cm en haut et autour de l'instrument pour la circulation de l'air, afin d'éviter une surchauffe des composants électriques.
- Ne placez pas et n'utilisez pas l'instrument dans un endroit extrêmement poussiéreux ou humide.
- Faites en sorte que la surface de l'instrument, le compartiment pour cuves et tous les accessoires soient toujours propres et secs. Eliminez immédiatement les éclaboussures ou tout produit renversé sur ou dans l'instrument.

AVIS

Protégez l'instrument des températures extrêmes provenant d'appareils de chauffage, du rayonnement solaire direct et d'autres sources de chaleur.

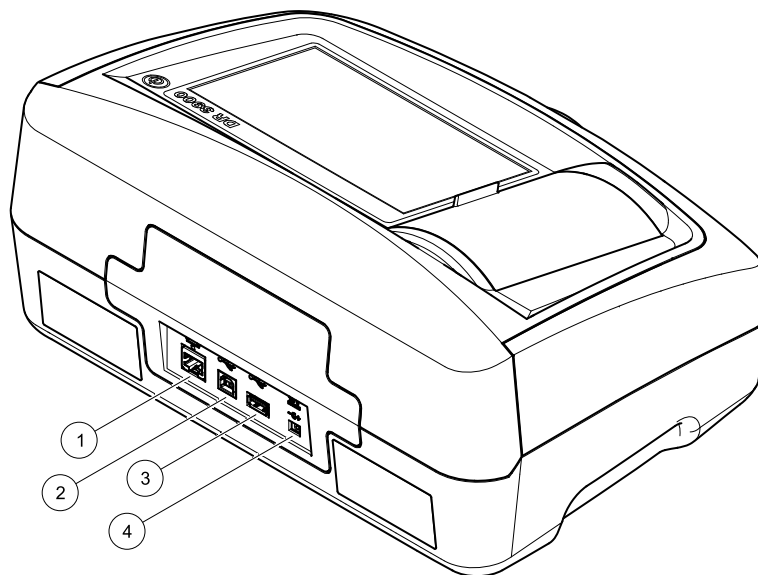
Vue avant et vue arrière

Figure 1 Vue avant



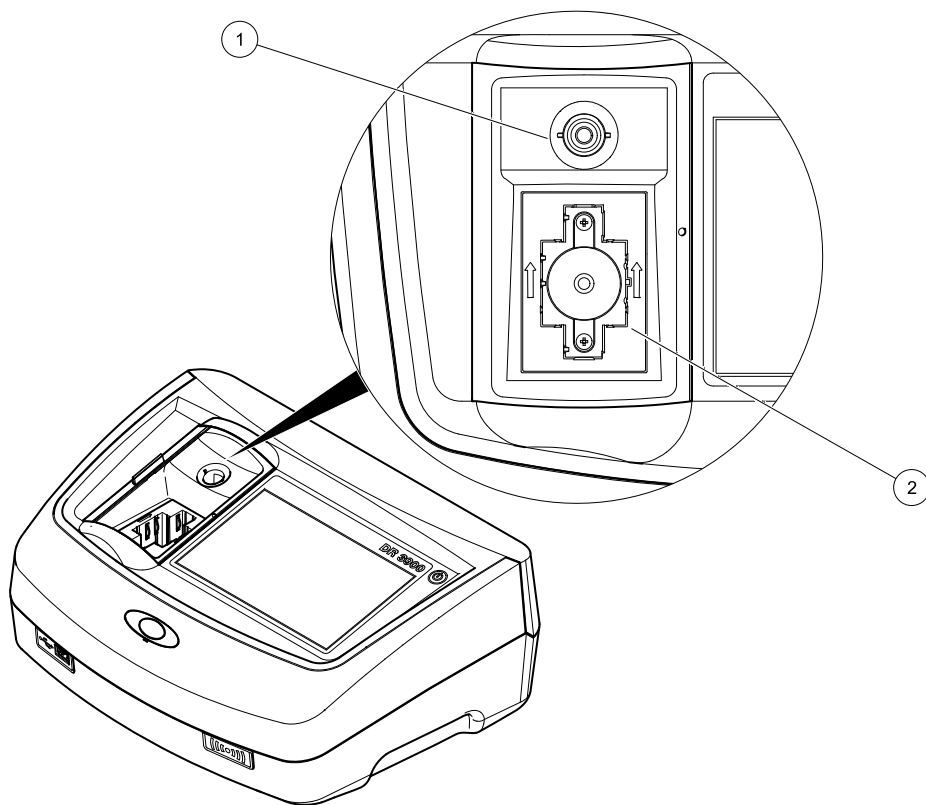
1	Port USB type A	4	Interrupteur marche/arrêt
2	Couvercle de compartiment pour cuves	5	Module RFID (sur certains modèles uniquement)
3	Ecran tactile		

Figure 2 Vue arrière



1	Port Ethernet	3	Port USB type A
2	Port USB type B	4	Raccord pour alimentation de table

Figure 3 Compartiments pour cuves



1 Compartiment pour cuves rondes (1)

2 Compartiment pour cuves rectangulaires (2)

Branchements électriques

⚠ AVERTISSEMENT

Danger d'incendie ou de choc électrique.
N'utilisez que l'alimentation de table LZV844 fournie.

1. Branchez le cordon d'alimentation à l'alimentation de table.
2. Insérez le câble de l'alimentation de table à l'arrière de l'instrument (Figure 2, page 29).
3. Insérez la prise du câble d'alimentation dans une prise secteur (100–240 V~/50–60 Hz).

Appuyez sur le bouton Marche situé à côté de l'écran pour mettre en marche l'alimentation (Figure 1, page 28).

Démarrage

Mise en marche de l'instrument, processus de démarrage

1. Branchez le câble d'alimentation sur la prise secteur.
2. Mettez l'instrument en marche à l'aide du bouton de démarrage situé à côté de l'écran.
3. L'instrument démarre automatiquement avec un processus de démarrage qui dure environ 45 secondes. L'écran affiche le logo du fabricant. A la fin du processus de démarrage; une mélodie de démarrage est émise.

Remarque : Attendez environ **20 secondes** avant de remettre en marche afin de ne pas endommager le système électronique et mécanique de l'instrument.

Sélection de la langue



Le logiciel du DR 3900 contient plusieurs langues. Au premier démarrage de l'instrument, l'écran de sélection de la langue s'affiche automatiquement après le processus de démarrage.

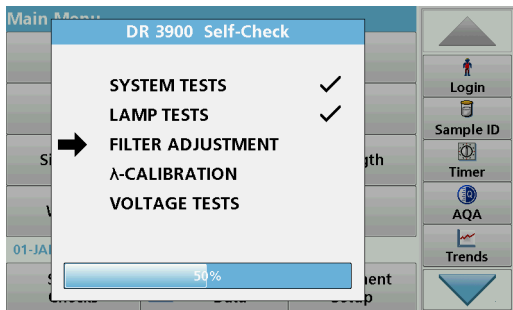
1. Sélectionnez la langue souhaitée.
2. Appuyez sur **OK** pour confirmer la langue sélectionnée. L'autodiagnostic démarre alors automatiquement.

Modifiez la langue configurée

Tant que cette option n'est pas modifiée, l'instrument fonctionne dans la langue sélectionnée.

1. Mettez l'instrument sous tension.
2. Pendant le processus de démarrage, touchez l'écran à n'importe quel endroit et maintenez le contact jusqu'à ce que l'option de sélection de la langue s'affiche (environ 45 secondes).
3. Sélectionnez la langue souhaitée.
4. Appuyez sur **OK** pour confirmer la langue sélectionnée. L'autodiagnostic démarre alors automatiquement.

Autodiagnostic



Un programme de test est lancé à chaque démarrage de l'instrument.

Cette procédure, qui dure environ deux minutes, contrôle le système, la lampe, le réglage des filtres, l'étalonnage de la longueur d'onde et la tension. Chaque test qui se déroule correctement est signalé en conséquence.

Une fois les diagnostics terminés, le Menu principal s'affiche.

Remarque : Si d'autres messages d'erreur s'affichent pendant le programme de test, reportez-vous à la [Dépannage, Page 39](#).

Mode veille



L'instrument peut être mis en veille.

1. Appuyez brièvement sur le bouton de démarrage situé à côté de l'écran.
Le message « Mode veille » s'affiche. L'écran s'éteint alors automatiquement.
2. Pour le rallumer, appuyez sur le bouton de démarrage situé à côté de l'écran.
L'autodiagnostic démarre automatiquement.
L'instrument est alors prêt à fonctionner.

Arrêt de l'instrument

1. Appuyez sur le bouton de démarrage situé à côté de l'écran pendant environ 5 secondes.

Programmes standard

Conseils d'utilisation de l'écran tactile

L'écran est entièrement tactile. Pour choisir une option, tapotez avec un ongle, le bout du doigt, une gomme ou un stylet prévu à cet effet. Ne touchez pas l'écran avec un objet pointu tel que le bout d'un stylo à bille.

- Ne posez aucun objet sur l'écran, sous peine de l'endommager ou de le rayer !
- Appuyer sur les boutons, mots ou icônes pour les sélectionner.
- Utilisez les barres de défilement pour vous déplacer rapidement dans les longues listes. Touchez une barre de défilement et maintenez le contact, puis effectuez un mouvement vers le haut ou vers le bas pour vous déplacer dans la liste.
- Pour sélectionner un élément de la liste, touchez-le une fois. Lorsque l'élément a été correctement sélectionné, son mode d'affichage est inversé (texte clair sur fond sombre).

Utilisation du clavier alphanumérique



Le clavier alphanumérique sert à entrer des lettres, des chiffres et des symboles pour la programmation de l'instrument. Les options non

disponibles sont désactivées (grisées). Les icônes situées à droite et à gauche de l'écran sont décrites dans le [Tableau 1](#).

Le clavier central change en fonction du mode de saisie choisi. Appuyez plusieurs fois sur une touche jusqu'à ce que le caractère souhaité apparaisse à l'écran. Pour entrer une espace, utilisez le trait de soulignement de la touche **YZ_**.

Appuyez sur **Annuler** pour annuler une entrée ou sur **OK** pour la valider.

Remarque : Il est également possible d'utiliser un clavier USB (format américain) ou un scanner à codes à barres USB manuel.

Tableau 1 Clavier alphanumérique

icône/ touche	Description	Fonction
ABC/abc	Alphabétique	Permet de basculer le mode de saisie entre majuscules et minuscules.
# %	Symboles	Il est possible de saisir des signes de ponctuation, des symboles et des indices et exposants numériques.
123	Numérique	Pour saisir des chiffres ordinaires.
CE	Suppression de l'entrée	Efface l'entrée.
Flèche gauche	Précéd.	Supprime le caractère actuel et recule d'une position.
Flèche droite	Suivant	Accède à l'espace suivant d'une entrée.

Menu principal

Menu principal	
Programmes enregistrés	Programmes codes barre
Programmes utilisateur	Programmes favoris
Longueur d'onde unique	Longueur d'onde - multi
Balayage long. onde	Plage de temps
02-FEV-2011 12:20	
Vérifications système	Rappel données
Configuration de l'instrument	


 Brancher


 ID échantillon


 Minuteur


 AQA


 Tendances



Plusieurs modes peuvent être sélectionnés à partir du Menu principal. Le tableau suivant décrit brièvement chaque option du menu.

Une barre d'outils se trouve sur le côté droit de l'écran. Appuyez ici pour activer les différentes fonctions.

Tableau 2 Options du Menu principal

Option	Fonction
Programmes enregistrés/ Programmes codes à barres	<p>Les programmes enregistrés sont des méthodes préprogrammées qui utilisent des produits chimiques HACH et des tests en cuve.</p> <p>Pour plus d'informations, des instructions de process illustrées et détaillant chaque étape à suivre pour effectuer des analyses avec les programmes HACH sont disponibles le site Internet.</p>
Programmes utilisateur	<p>Les programmes utilisateur permettent de réaliser des « analyses sur mesure » :</p> <ul style="list-style-type: none"> • Les utilisateurs peuvent programmer les méthodes qu'ils ont développées eux-mêmes. • Les méthodes HACH existantes peuvent être enregistrées en tant que programmes utilisateur.

Tableau 2 Options du Menu principal

Option	Fonction
Favoris	Liste des méthodes/tests créés par l'utilisateur pour répondre à ses propres besoins.
Longueur d'onde unique	<p>Les mesures de longueur d'onde unique incluent :</p> <p>Mesures d'absorption : la lumière absorbée par l'échantillon est mesurée en termes d'unités d'absorption.</p> <p>Mesures de transmission (%) : mesure le pourcentage de lumière incidente qui traverse l'échantillon et atteint le détecteur.</p> <p>Mesures de concentration : un facteur de concentration peut être entré pour pouvoir convertir les valeurs d'absorption mesurées en valeurs de concentration.</p>
Longueur d'onde multiple	En mode Longueur d'onde multiple, l'absorption (Abs) ou le pourcentage de transmission (%T) est mesuré(e) à quatre longueurs d'onde différentes maximum, puis les différences et les relations d'absorption sont calculées. De simples conversions en concentrations sont également possibles.
Balayage de longueurs d'onde	Un balayage de longueurs d'onde montre la manière dont la lumière émise par un échantillon est absorbée sur un spectre de longueurs d'onde défini. Cette fonction peut être utilisée pour déterminer la longueur d'onde à laquelle la valeur d'absorption maximale peut être mesurée. Le comportement d'absorption s'affiche sous forme de graphique pendant le balayage.
Plage de temps	Le balayage de plage de temps enregistre l'absorption ou le pourcentage de transmission à une longueur d'onde sur une période de temps définie.
Vérifications du système	Le menu « Vérifications du système » offre plusieurs options : Vérifications optiques, Résultats vérifications, Historiques de la lampe, Mise à jour de l'instrument, Temps de service, Paramètres d'Assurance qualité analytique et Appareil Backup.
Rappel de mesures	Les données enregistrées peuvent être rappelées, filtrées, envoyées ou supprimées.

Tableau 2 Options du Menu principal

Option	Fonction
Configuration de l'instrument	Dans ce mode, des paramètres spécifiques à l'utilisateur ou à une méthode peuvent être saisis : ID opérateur, ID échantillon, date et heure, son, PC et imprimante, mot de passe, mode économie d'énergie et données enregistrées.

Enregistrement, rappel, envoi et suppression des données

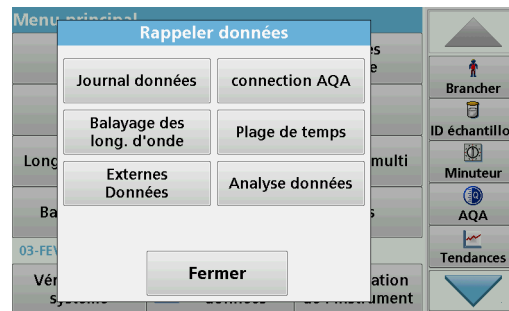
Le journal des données

Le journal des données peut stocker jusqu'à 2 000 mesures enregistrées par les programmes suivants :

- Programmes enregistrés,
- Programmes codes à barres,
- Programmes utilisateur,
- Favoris,
- Longueur d'onde unique et
- Longueur d'onde multiple.

Il garde un enregistrement complet de l'analyse, comprenant la date, l'heure, les résultats et l'ID de l'échantillon ainsi que l'ID de l'opérateur.

Rappel des données enregistrées dans le journal des données



1. Sélectionnez **Rappel données** dans le menu principal.
2. Appuyez sur **Journal données**.

La liste des données enregistrées s'affiche.



3. Appuyez sur **Filtre : Activer/Désactiver**.
La fonction **Paramètres du filtre** sert à rechercher des éléments spécifiques.

4. Sélectionnez **Activer**. Les données peuvent désormais être filtrées à l'aide des critères de sélection suivants.
- ID échantillon
 - ID opérateur
 - Date de début
 - Paramètre
- ou bien une combinaison des quatre.

Rappeler données		Journal données (27)	
03-FEV-2011 12:13:16	-8.55	- mg/L	NH ₄ ⁺ -N
03-FEV-2011 12:07:36	118	mg/L	NH ₄ ⁺ -N
02-FEV-2011 16:24:32	18.5	mg/L	NH ₄ ⁺ -N
02-FEV-2011 16:23:23	18.5	mg/L	NH ₄ ⁺ -N
02-FEV-2011 16:22:04	18.5	mg/L	NH ₄ ⁺ -N

Menu Principal Filtre : Désact. Afficher les détails Options

5. Appuyez sur **OK** pour valider la sélection.
Les éléments choisis apparaissent dans la liste.
6. Appuyez sur **Afficher les détails** pour obtenir plus d'informations.

Envoi de données à partir du journal des données

AVIS

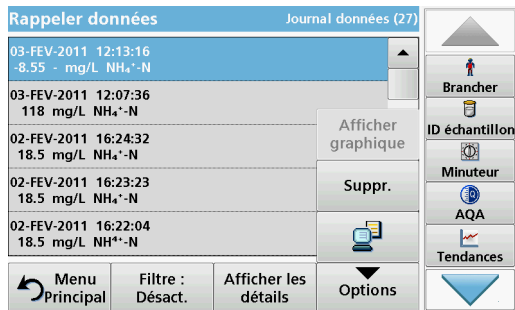
La sécurité du réseau et du point d'accès relève de la responsabilité du client utilisant l'appareil sans fil. Le fabricant ne peut être tenu pour responsable des dommages, y compris mais sans s'y limiter, indirects, particuliers, fortuits ou accessoires occasionnés en raison d'une brèche dans la sécurité du réseau ou d'une violation de la sécurité du réseau.

Les données sont envoyées au format XML (Extensible Markup Language) ou CSV (Comma Separated Value) depuis le journal des données interne vers un répertoire nommé DataLog sur un périphérique

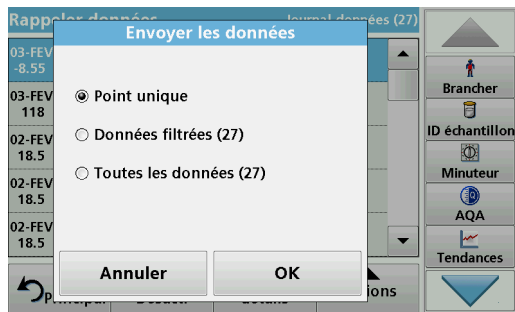
de stockage USB ou un disque réseau. Ce fichier peut ensuite être utilisé avec un programme de feuilles de calcul. Le nom de fichier est au format DLAnnée-Mois-Jour_Heure_Minute_Seconde.csv ou DLAnnée-Mois-Jour_Heure_Minute_Seconde.xml.



1. Branchez le périphérique de stockage USB sur le port USB de type A du DR 3900 ou connectez le DR 3900 à un disque réseau.
 2. Sélectionnez **Rappel données** dans le Menu principal.
 3. Sélectionnez la catégorie de données à transférer, par ex. **Journal données**.
- La liste des données de mesure sélectionnées s'affiche.



4. Appuyez sur **Options**, puis sur l'**icône PC et Imprimante**.



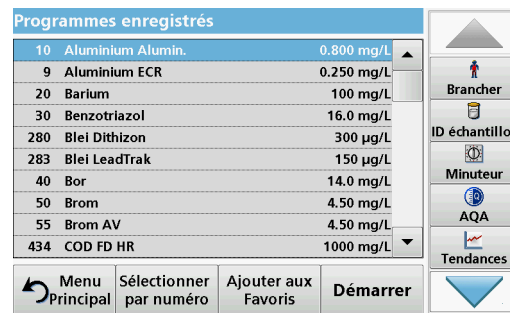
5. Sélectionnez les données à envoyer.
Les options suivantes sont disponibles :

- **Point unique** : seule la mesure sélectionnée est envoyée
- **Données filtrées** : seules les mesures correspondant aux filtres définis sont envoyées
- **Toutes les données** : toutes les données de la catégorie sélectionnée sont envoyées.

6. Appuyez sur **OK** pour valider.

Remarque : Le nombre entre parenthèses correspond au nombre total d'ensembles de données affectés à cette sélection.

Programmes enregistrés



1. Appuyez sur **Programmes enregistrés** dans le menu principal pour afficher une liste alphabétique des programmes enregistrés et de leur numéro respectif.

La liste « Programmes enregistrés » s'affiche.

2. Sélectionnez le test de votre choix.

Remarque : Sélectionnez le programme par son nom ou faites défiler la liste à l'aide des touches fléchées. Sélectionnez le programme ou appuyez sur **Sélection par N°** pour rechercher un numéro de programme spécifique. Appuyez sur **OK** pour valider.

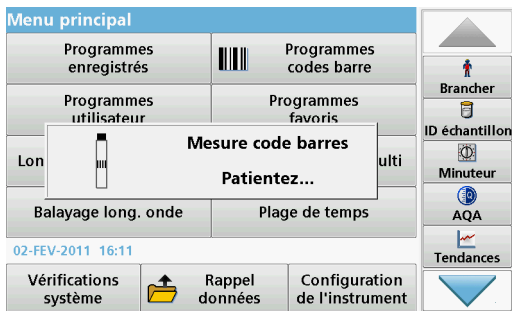
3. Appuyez sur **Démarrer** pour lancer le programme. La fenêtre de mesure correspondante s'affiche.

Remarque : Toutes les données correspondantes (longueur d'onde, facteurs et constantes) sont déjà prédéfinies.

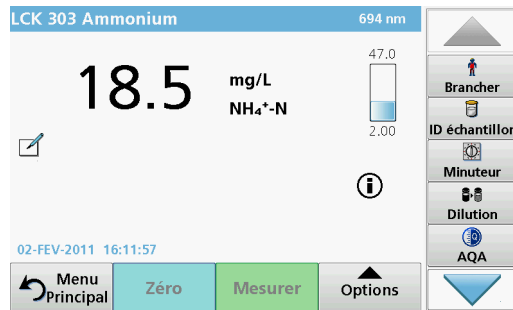
- Suivez les instructions concernant les procédures chimiques fournies dans le manuel de procédures correspondant. Pour plus d'informations, veuillez consulter les documents et manuels d'utilisation disponibles sur le site Internet du fabricant.

Remarque : Pour afficher les instructions de procédures à l'écran, appuyez sur l'icône d'informations. Tous les programmes ne disposent pas de cette option.

Réalisation d'un test à codes barres



- Insérez l'écran protecteur de lumière dans le compartiment pour cuves (2).
- Préparez le test à codes à barres selon les spécifications de processus et insérez la cuve dans le compartiment pour cuves (1).
 - Lorsqu'une cuve codée est placée dans le compartiment pour cuves (1) (Figure 3, page 30), le programme de mesure adéquat est activé automatiquement dans le menu principal.
 - Sinon, appuyez sur **Progr. code barre** dans le Menu principal et insérez une cuve zéro (selon les spécifications de processus) dans le compartiment pour cuves (1).



La mesure commence automatiquement et les résultats sont affichés.

Pour évaluer d'autres tests sur cuves et d'autres paramètres, insérez la cuve préparée dans le compartiment pour cuves et lisez le résultat

Remarque : La barre de contrôle située à droite de l'écran indique le rapport entre le résultat de la mesure et la gamme de mesure. La barre noire montre le résultat mesuré indépendamment de tout facteur de dilution éventuellement spécifié.

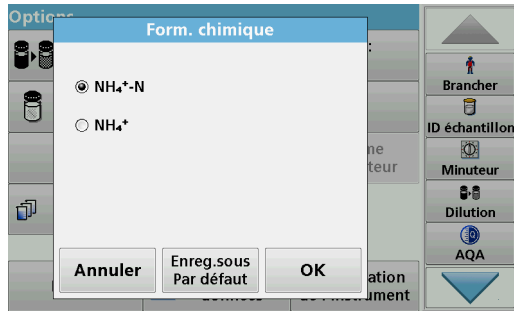
Sélection de la formule chimique d'évaluation

Il est possible de sélectionner individuellement la formule chimique du résultat de test de plusieurs paramètres.

- Dans l'écran des résultats, appuyez sur l'unité (par ex. mg/L) ou sur la représentation chimique de la formule d'évaluation (par ex. $\text{PO}_4^{3-}\text{-P}$).
La liste des formules d'évaluation disponibles s'affiche.
- Sélectionnez la formule requise dans la liste. Appuyez sur **OK** pour valider.

Autre façon de modifier le paramètre par défaut :

Dépannage



1. Dans l'écran des résultats, appuyez sur **Options>Autres...>Form. chimique**.

La liste des formules d'évaluation disponibles s'affiche.

2. Sélectionnez la formule chimique requise et appuyez sur **OK** pour valider.

Remarque : La formule chimique sélectionnée s'affiche, mais n'est pas définie par défaut. Pour modifier la valeur par défaut, reportez-vous à la [section Modification du paramètre par défaut de la formule chimique](#).

Modification du paramètre par défaut de la formule chimique

1. Insérez la cuve zéro ou la cuve d'échantillon (selon les spécifications de processus) dans le compartiment pour cuves.
2. Dans l'écran des résultats, appuyez sur **Options>Autres...>Form. chimique**.
3. La liste des formules d'évaluation disponibles s'affiche. Sélectionnez le nouveau paramètre par défaut.
4. Appuyez sur **Enreg. sous Par défaut**.

Le résultat en cours et toutes les mesures suivantes seront donnés en fonction de cette nouvelle formule chimique.

Erreur affichée	Définition	Mesure corrective
Attention ! Insérez l'écran protecteur de lumière.	Les mesures réalisées sur des cuves à codes à barres nécessitent généralement l'utilisation de l'écran protecteur.	Insérez l'écran protecteur de lumière. Appuyez sur OK .
Etiquette de code à barres non lue	Code à barres défectueux	Réinsérez la cuve. Si le code à barres n'est pas reconnu, contactez le fabricant ou son représentant.
Une erreur est survenue pendant le chargement des données de l'instrument.		Relancez la procédure ou contactez le fabricant ou son représentant.
Une erreur est survenue pendant la lecture depuis la clé USB.		Relancez la procédure ou contactez le fabricant ou son représentant.
Une erreur est survenue pendant l'écriture sur la clé USB.		Relancez la procédure ou contactez le fabricant ou son représentant.
Veillez vérifier le fichier de mise à jour actuel.	Erreur pendant la mise à jour.	Vérifiez la clé USB.
Veillez contacter le service après-vente.	Erreur pendant la mise à jour.	
Veillez vérifier la configuration réseau.		
Veillez vérifier la connexion.		

Erreur affichée	Définition	Mesure corrective
Veillez fermer le couvercle.		Fermez le couvercle.
Veillez insérer la clé USB.		Insérez une clé USB dans le port USB A de l'instrument.
Veillez vérifier la connexion et contacter l'administrateur.	Erreur de configuration du réseau ou du FTP	
Correction de valeur du blanc impossible !	Correction de valeur du blanc impossible avec LCW919.	
Fichier de mise à jour de l'instrument manquant.	Erreur pendant la mise à jour.	Vérifiez la clé USB.
Fichier de mise à jour de l'instrument défectueux.	Erreur pendant la mise à jour.	Enregistrez à nouveau le fichier de mise à jour et recommencez la procédure.
Il est conseillé d'exécuter un contrôle complet du système	Echec du contrôle des valeurs de l'air	Eteignez, puis rallumez l'instrument. Si le contrôle du système échoue, contactez le fabricant ou son représentant.
Entrée non valide !	Mot de passe incorrect	Mot de passe oublié ? Contactez le fabricant ou son représentant.
Absorption > 3.5 !	L'absorption mesurée est supérieure à 3.5	Diluez l'échantillon et mesurez à nouveau
Défaut Numéro de contrôle du code à barres ? Mettez à jour données progr.	Ecart par rapport aux données enregistrées	Mise à jour des données

Erreur affichée	Définition	Mesure corrective
Erreur lors de l'appel de l'adresse IP locale.	Configuration du réseau : aucune connexion du client DHCP au serveur DHCP	Saisissez à nouveau l'adresse IP.
Erreur lors de la configuration de la passerelle par défaut.	Configuration du réseau : la passerelle par défaut ne peut pas être définie pour une adresse IP fixe	Essayez encore une fois d'établir la connexion.
Erreur lors de la configuration du disque réseau !	Erreur lors de la configuration du réseau	Contrôlez les paramètres.
Erreur lors de la configuration du masque de sous-réseau.	Configuration du réseau : le masque de sous-réseau ne peut pas être défini pour une adresse IP fixe	Saisissez une nouvelle fois le masque de sous-réseau.
Erreur lors de la copie depuis la clé USB.	Erreur pendant la mise à jour	Relancez la procédure ou contactez le fabricant ou son représentant.
Erreur lors de la connexion au FTP.	Erreur FTP	Assurez-vous que l'instrument est connecté au réseau.
Défaut Programme inaccessible. Mettez à jour données progr.	Test de code à barres absent	Mise à jour des données
Défaut Nettoyer la cuve !	La cuve est sale ou contient des particules non dissoutes	Nettoyez la cuve ; attendez que les particules précipitent

Erreur affichée	Définition	Mesure corrective
Défaut Programme de test interrompu ! Veillez vérifier la lampe Fermez le couvercle. Erreur [xx]	Le programme de test s'arrête au démarrage de l'instrument	Contrôlez la lampe et remplacez-la si nécessaire. Fermez le couvercle. Appuyez sur Redémarrer .
Défaut Programme de test interrompu ! Retirez la cuve Fermez le couvercle.	Le programme de test s'arrête au démarrage de l'instrument	Retirez la cuve/cuve d'échantillon du compartiment pour cuves. Appuyez sur OK .
Erreur Autodiagnostic interrompu. Erreur matérielle. Erreur [x]	Défaillance électronique	Contactez le fabricant ou un représentant et indiquez-lui le numéro de l'erreur
Erreur Luminosité ambiante excessive ! Placez l'instrument à l'ombre ou fermez le couvercle	Les capteurs de l'instrument ont détecté une lumière ambiante excessive.	Baissez la lumière ambiante. (Évitez l'exposition directe aux rayons du soleil.) Fermez le couvercle.
Aucune fonction d'aide n'est disponible pour ce programme.		
Durée de conservation dépassée ! Utiliser des produits chimiques ?		L'analyse peut être erronée. Utilisez de nouveaux produits chimiques
Aucune évaluation !	Erreur dans la base de données de tests ou dans celle des utilisateurs.	Vérifiez la programmation Contactez le fabricant ou un représentant

Erreur affichée	Définition	Mesure corrective
Pas de code à barres !	Code à barres introuvable	Réinsérez la cuve. Si le code à barres n'est pas reconnu, contactez le fabricant ou son représentant.
Sauvegarde appareil absente !		Vérifiez la clé USB.
Pas de données valides pour ces paramètres !	Analyse des données impossible, pas de données de mesure	Modifiez la sélection.
Données valides introuvables !	Impossible de consulter les données dans le journal des données	Modifiez la sélection.
Fonction d'aide absente.		
Données de mesure absentes !	Les paramètres de l'analyse des données ne peuvent pas être configurés sans données de mesure.	Modifiez la sélection.
Plage de contrôle non atteinte !	Limites de l'analyse des données non atteintes	Il s'agit d'un avertissement. La limite de contrôle définie n'a pas été atteinte.
Plage de contrôle dépassée !	Limites de l'analyse des données dépassées.	Il s'agit d'un avertissement. La limite de contrôle a été dépassée.
Concentration trop élevée !	La concentration calculée est supérieure à 999999	Diluez l'échantillon et mesurez à nouveau
Au dessus de la plage de mesure	L'absorption mesurée est supérieure à la plage d'étalonnage du test	Diluez l'échantillon et mesurez à nouveau

Erreur affichée	Définition	Mesure corrective
Sous la plage de mesure	L'absorption mesurée est inférieure à la plage d'étalonnage du test	Si possible, sélectionnez un test avec une plage de mesure inférieure ou utilisez une cuve qui possède une plus longue trajectoire
Possible interférence due à :	Vérification des interférences	L'analyse peut être erronée en raison d'interférences.
Possible interférence due à :	Vérification des interférences	L'analyse peut être erronée en raison d'interférences.
Prochaine inspection échue !		Contactez le fabricant ou son représentant pour un contrôle de l'instrument.
Résultat négatif !	Le résultat calculé est négatif	Vérifiez la concentration de l'échantillon
Réseau désactivé.	Configuration du réseau désactivée lorsque vous accédez à la page d'accueil de l'instrument. via la barre latérale	Activez la connexion en ligne.
Impossible d'accéder au serveur distant.	Erreur lors de la configuration du réseau	Assurez-vous que l'instrument est connecté au réseau.
Conditions d'éclairage instables !		Évitez les rayons directs du soleil à l'emplacement de la mesure.
Mémoire insuffisante pour la mise à jour.	Erreur pendant la mise à jour.	Sélectionnez une mémoire disposant de plus d'espace.
Vérification du système incorrecte !	Echec de la mesure des valeurs de l'air	Eteignez, puis rallumez l'instrument. Si le contrôle du système échoue, contactez le fabricant ou son représentant.

Erreur affichée	Définition	Mesure corrective
Température trop élevée. Mesure impossible !		Désactivez l'instrument et laissez-le refroidir quelques minutes. Si nécessaire, déplacez-le vers un endroit plus frais.
Fichier de mise à jour défectueux.	Erreur pendant la mise à jour.	Enregistrez à nouveau le fichier de mise à jour et recommencez la procédure.
Clé USB non connectée.	Mise à jour impossible.	Vérifiez la clé USB.
Impossible d'accéder au serveur Web.	Impossible d'accéder à la page d'accueil de l'instrument.	Réessayez ultérieurement.

Pièces de rechange

Description	Cat. N°
Lampe halogène	LPZ440.99.00007
Adaptateur A pour cuves rectangulaires 1 cm et cuves rondes 1 pouce	LZV846
Adaptateur B pour cuves rectangulaires 3 cm, Chine uniquement	LZV847
Ecran protecteur de la lumière	LZV849
Alimentation électrique de table	LZV844
Cordon d'alimentation UE	YAA080
Cordon d'alimentation CH	XLH051
Cordon d'alimentation UK	XLH057
Cordon d'alimentation américain	XLH055
Câble d'alimentation Chine/Australie	XLH069
Cache anti-poussière	LZV845
Compartiment pour cuves	LZV848

Especificaciones

Las especificaciones se encuentran sujetas a cambio sin previo aviso.

Especificaciones de funcionamiento	
Modo operativo	Transmitancia (%), absorbancia y concentración
Fuente de luz	Lámpara halógena
Rango de longitud de onda	320–1100 nm
Exactitud de longitud de onda	± 1.5 nm (rango de longitud de onda 340–900 nm)
Reproducibilidad de longitud de onda	± 0.1 nm
Resolución de longitud de onda	1 nm
Calibración de longitud de onda	Automática
Selección de longitud de onda	Automática, mediante selección de un método
Velocidad de barrido	≥ 8 nm/s (en fases de 1 nm)
Ancho de banda espectral	5 nm
Rango de medida fotométrico	± 3.0 Abs (rango de longitud de onda 340–900 nm)
Exactitud fotométrica	5 m Abs a 0.0–0.5 Abs 1% a 0.50–2.0 Abs
Linealidad fotométrica	< 0.5% a 2 Abs ≤1% a > 2 Abs con vidrio neutro a 546 nm
Luz difusa	< 0.1% T a 340 nm con NaNO ₂

Especificaciones de funcionamiento	
Registro de datos	2000 mediciones (resultado, fecha, hora, ID de muestra, ID del usuario)
Programas del usuario	100

Especificaciones físicas y ambientales	
Anchura	350 mm (13.78 pulg.)
Altura	151 mm (5.94 pulg.)
Profundidad	255 mm (10.04 pulg.)
Peso	4200 g (9.26 libras)
Requisitos medioambientales de funcionamiento	10–40 °C (50–104 °F), humedad relativa máxima 80% (sin formación de condensación)
Requisitos ambientales de almacenamiento	–40–60 °C (–40–140 °F), humedad relativa máxima 80% (sin formación de condensación)
Datos técnicos adicionales	
Conector de alimentación por medio de fuente de alimentación externa	Entrada: 100–240 V ± 10 VAC/50–60 Hz Salida: 15 V/40 VA
Interfaces	Utilice únicamente un cable blindado con una longitud máxima de 3 m: 2x USB de tipo A 1x USB de tipo B Utilice únicamente un cable blindado (por ejemplo, STP, FTP, S/FTP) con una longitud máxima de 20 m: 1x Ethernet
Clase de protección	IP40

Especificaciones de funcionamiento	
Clase de protección	Clase I
Altitud	2000 m
Grado de contaminación	2
Categoría de sobrevoltaje	II
Condiciones ambientales	Sólo para uso en interiores
Fuente de alimentación	Fuente de alimentación externa

Información general

Información de seguridad

Le rogamos se sirva leer todo el manual antes de desembalar, de instalar o de trabajar con este instrumento. Preste especial atención a todas las indicaciones de peligro y advertencia. De lo contrario, podría provocar lesiones graves a los usuarios y averías al equipo.

A fin de garantizar que no se deteriore la protección que ofrece este instrumento, evite instalarlo de maneras distintas a las especificadas en estas instrucciones de uso.

⚠ PELIGRO
Indica una situación de riesgo inminente o potencial que, de no evitarse, ocasionará lesiones graves o la muerte.

⚠ ADVERTENCIA
Señala una situación de peligro inminente o potencial, que de no evitarse, podría causar lesiones graves y la muerte.



⚠ ATENCIÓN
Señala una situación potencialmente peligrosa que podría causar lesiones leves o menos graves.

AVISO
Indica una situación que de no evitarse, podría causar daños al instrumento. Información que se debe recalcar de manera especial.

Nota: Información complementaria de algunos elementos del texto principal.

Etiquetas de precaución

Lea todas las etiquetas y rótulos adosados al instrumento. Si no se observa esta información, podrían producirse heridas personales o daños en el instrumento. Los símbolos que estén presentes en el instrumento también se mostrarán en las indicaciones de peligro y advertencia de las instrucciones de uso.

	La presencia de este símbolo en el instrumento obliga a remitirse al manual de instrucciones, a fin de obtener información sobre operación y/o seguridad.
	Los equipos eléctricos marcados con este símbolo no se podrán desechar por medio de los sistemas europeos públicos o domésticos de eliminación de desechos después del 12 de agosto de 2005. En cumplimiento de las reglamentaciones legales nacionales y locales (directiva europea 2002/96/CE), el fabricante se encarga de la eliminación gratuita de viejos instrumentos. Nota: Para la devolución a efectos del reciclado, póngase en contacto con el fabricante o distribuidor del equipo para obtener instrucciones sobre la correcta eliminación de instrumentos viejos, accesorios eléctricos suministrados por el fabricante y todos los elementos auxiliares.

Módulo RFID (no disponible en todos los modelos)

La tecnología RFID es una aplicación de radio. Las aplicaciones de radio están sujetas a las condiciones de autorización nacionales. En caso de duda, póngase en contacto con el distribuidor.

El DR 3900 contiene un módulo RFID para recibir y transmitir información y datos. El módulo RFID funciona en una frecuencia de 13,56 MHz.

ADVERTENCIA

El espectrofotómetro no se puede utilizar en entornos peligrosos.

El fabricante y sus proveedores rechazan cualquier garantía expresa o indirecta para el uso de Actividades de alto riesgo.

Tenga en cuenta la siguiente información de seguridad, además de cualquier directriz local que sea aplicable.

Información de seguridad para el uso correcto del instrumento:

- No utilice el instrumento en hospitales o establecimientos similares que estén en las proximidades de equipos médicos, como marcapasos o audífonos.
- No utilice el instrumento cerca de sustancias altamente inflamables, como combustibles, productos químicos muy inflamables y explosivos.
- No utilice el instrumento cerca de gases, vapores o polvo combustibles.
- No haga vibrar ni sacuda el instrumento.
- El instrumento puede provocar interferencias en las proximidades inmediatas de televisores, radios y ordenadores.
- No abra el instrumento.
- El uso inadecuado del instrumento anula la garantía.

Seguridad química y biológica

PELIGRO

Peligro potencial en caso de contacto con materiales químicos o biológicos.

La manipulación de muestras químicas, patrones y reactivos puede ser peligrosa. Familiarícese con los procedimientos de seguridad necesarios y el manejo correcto de los productos químicos antes del trabajo, y lea y siga todas las hojas de datos de seguridad correspondientes.

El funcionamiento normal de este instrumento puede implicar el uso de muestras nocivas químicas y biológicas.

- Observe toda la información de seguridad impresa en los contenedores originales de las soluciones y hojas de datos de seguridad antes de utilizarlos.
- Deshágase de todas las soluciones que haya utilizado de acuerdo con las normativas y leyes nacionales.
- Seleccione el tipo de equipo de protección adecuado a la concentración y la cantidad de material peligroso en el lugar de trabajo correspondiente.

Información general del producto

El DR 3900 es un espectrofotómetro VIS con un rango de longitud de onda de entre 320 y 1100 nm. El instrumento se entrega con una serie completa de programas y admite varios idiomas.

El espectrofotómetro DR 3900 contiene los siguientes programas y tipos de operaciones:

- Programas almacenados (test previamente instalados)
- Programas de códigos de barras
- Programas del usuario
- Favoritos
- Longitud de onda única
- Long. de onda múltiple
- Barrido de longitud de onda
- Cinéticas en el tiempo

El espectrofotómetro DR 3900 ofrece lecturas digitales en unidades de concentración directas, absorbancia o porcentaje de transmitancia.

Al seleccionar un método programado o creado por el usuario, los menús y mensajes sirven para dirigir al usuario a través del test.

Este sistema de menús también puede crear informes, evaluaciones estadísticas de curvas de calibración generadas y documentar comprobaciones de diagnóstico de instrumento.

Instalación

ADVERTENCIA

Peligro eléctrico y de incendio.

Utilice únicamente la fuente de alimentación de sobremesa LZV844 suministrada. Las tareas que se describen en esta sección del manual sólo pueden ser realizadas por expertos cualificados, que deben cumplir todas las normativas de seguridad válidas en la región.

Desembalaje del instrumento

El espectrofotómetro DR 3900 se suministra en un embalaje con los siguientes artículos:

- Espectrofotómetro DR 3900
- Funda guardapolvo
- Funda guardapolvo USB, incluida de serie
- Fuente de alimentación de sobremesa con cable de alimentación eléctrica para EE.UU., GB
- Adaptador de cubetas A
- Protector de luz, incluido de serie en el DR 3900
- Pestaña RFID del usuario (no disponible en todos los modelos)
- Instrucciones de funcionamiento básicas del DR 3900, instrucciones de funcionamiento de LINK2SC

Para más información, la documentación y los manuales de usuario detallados están disponibles en el sitio web del fabricante.

Nota: Si falta algún elemento, o alguno está dañado, póngase en contacto inmediatamente con su fabricante o con un representante.

Entorno operativo

Tenga en cuenta los siguientes puntos para que el instrumento funcione perfectamente y tenga una larga vida útil.

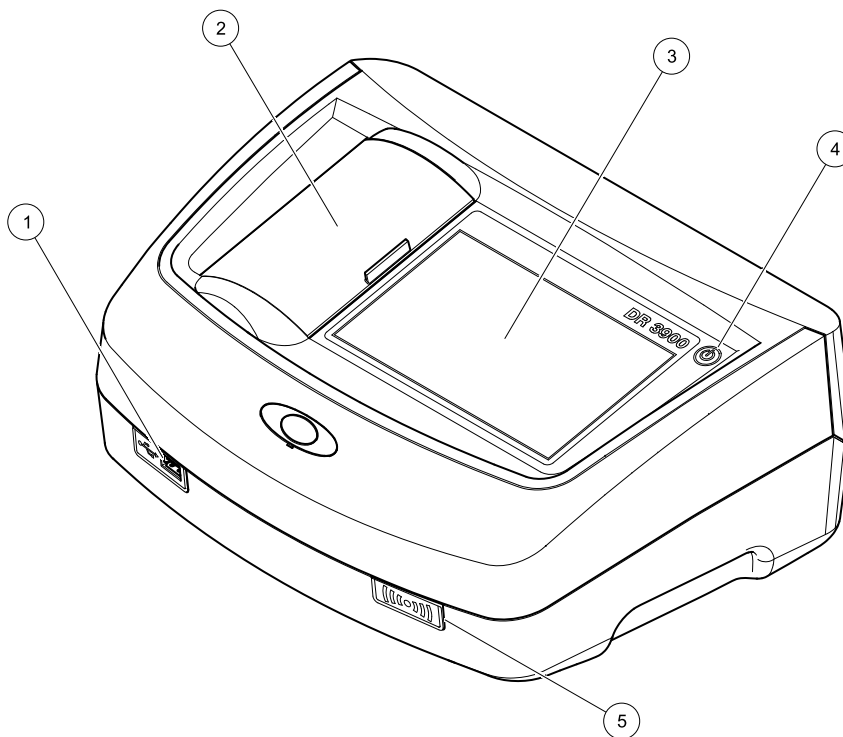
- Coloque el instrumento firmemente en una superficie plana. No coloque objetos bajo el instrumento.
- La temperatura ambiental debe oscilar entre 10 y 40 °C (50–104 °F).
- La humedad relativa debe ser inferior al 80%; el vaho no debe condensarse en el instrumento.
- Deje un espacio de al menos 15 cm en la parte superior y en todos los lados para permitir la circulación del aire; de este modo, se evita el sobrecalentamiento de las piezas eléctricas.
- No utilice ni almacene el instrumento en lugares con mucho polvo o humedad.
- Mantenga la superficie del instrumento, el compartimento de cubetas y todos los accesorios limpios y secos en todo momento. Limpie inmediatamente cualquier salpicadura o material derramado en el instrumento.

AVISO

Proteja el instrumento de las temperaturas extremas de los radiadores, la luz directa del sol u otras fuentes de calor.

Vista frontal y trasera

Figura 1 Vista frontal



1 Puerto USB de tipo A

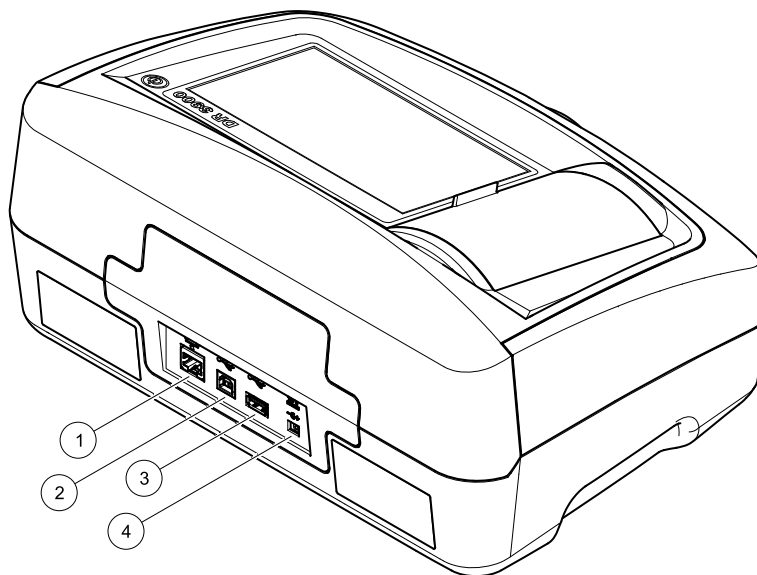
2 Cubierta del compartimento de cubetas

3 Pantalla táctil

4 Interruptor de encendido/apagado

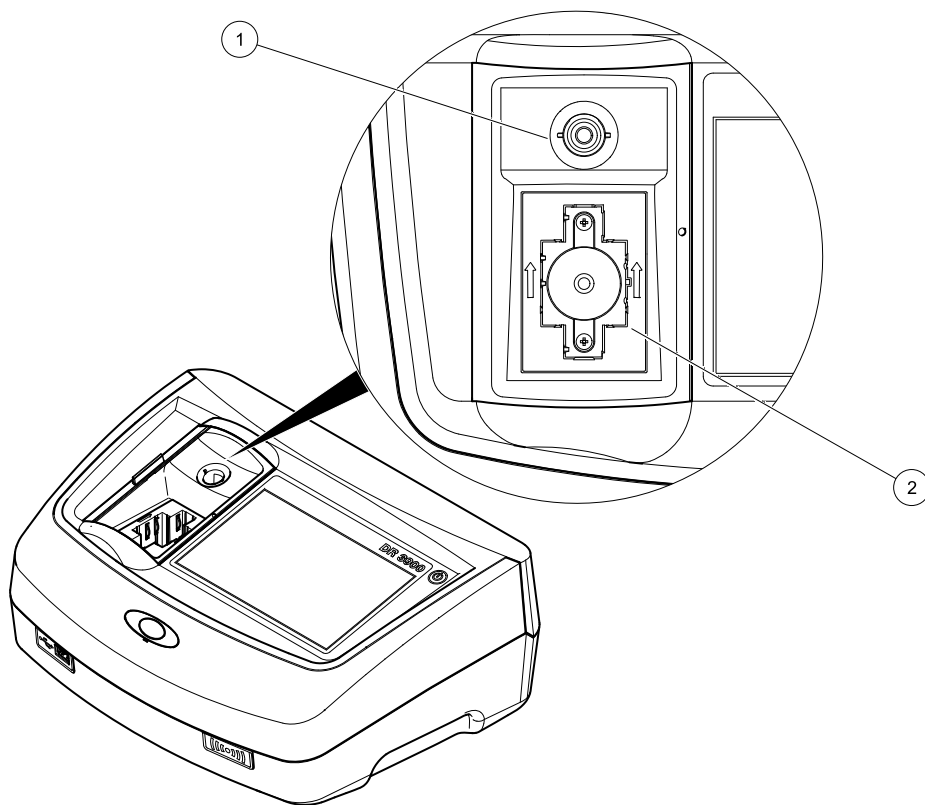
5 Módulo RFID (no disponible en todos los modelos)

Figura 2 Vista posterior



1	Puerto Ethernet	3	Puerto USB de tipo A
2	Puerto USB de tipo B	4	Conexión de fuente de alimentación de sobremesa

Figura 3 Compartimentos de cubetas



1 Compartimento de cubetas para cubetas redondas (1)

2 Compartimento de cubetas para cubetas rectangulares (2)

Conexiones eléctricas

⚠ ADVERTENCIA

Peligro eléctrico y de incendio.
Utilice únicamente la fuente de alimentación de sobremesa LZV844 suministrada.

1. Conecte el cable de alimentación eléctrica a la fuente de alimentación de sobremesa.
2. Enchufe el cable de la fuente de alimentación de sobremesa a la parte posterior del instrumento (Figura 2, página 49).
3. Introduzca el enchufe del cable de alimentación eléctrico en una toma eléctrica (100–240 V~/50–60 Hz).

Presione el botón de encendido situado junto a la pantalla para encender la fuente de alimentación (Figura 1, página 48).

Puesta en marcha

Encendido del instrumento, proceso de arranque

1. Conecte el cable de alimentación a la toma de alimentación eléctrica.
2. Para encender el instrumento, utilice el botón de encendido situado junto a la pantalla.
3. El instrumento se inicia automáticamente con un proceso de arranque que dura aproximadamente 45 segundos. En la pantalla aparece el logotipo del fabricante. Al final del proceso de arranque, se oye una melodía de arranque.

Nota: Espere aproximadamente **20 segundos** antes de volver a encenderlo para no dañar el sistema electrónico y mecánico del instrumento.

Selección del idioma



El software del espectrofotómetro DR 3900 incluye varias opciones de idioma. La primera vez que se enciende el instrumento aparece automáticamente la pantalla de selección del idioma después del proceso de arranque.

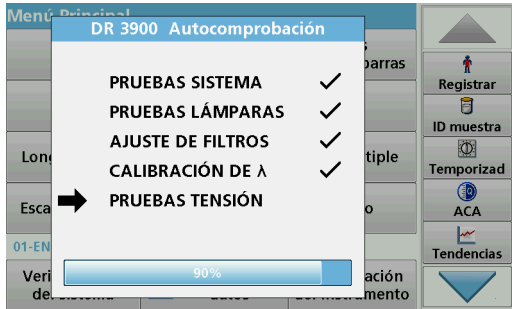
1. Seleccione el idioma deseado.
2. Pulse **OK** para confirmar la selección. A continuación se inicia automáticamente la autocomprobación.

Cambio del ajuste del idioma

El instrumento funcionará en el idioma seleccionado hasta que se cambien las opciones.

1. Encienda el instrumento.
2. Durante el proceso de arranque, toque en cualquier punto de la pantalla y mantenga el contacto hasta que aparezca la opción para seleccionar un idioma (aproximadamente 45 segundos).
3. Seleccione el idioma deseado.
4. Pulse **OK** para confirmar la selección. A continuación se inicia automáticamente la autocomprobación.

Autocomprobación



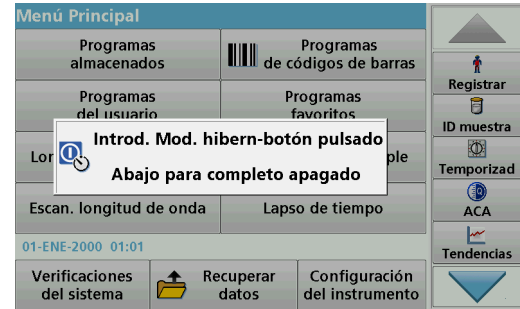
Cada vez que se enciende el instrumento, se inicia un programa de chequeo.

Este procedimiento, que dura unos dos minutos, comprueba el sistema, la lámpara, el ajuste de los filtros, la calibración de las longitudes de onda y la tensión eléctrica. Cada test que funciona correctamente se marca de la manera correspondiente.

Una vez completados los diagnósticos, aparece el Menú Principal.

Nota: En caso de que aparecieran más mensajes de error durante el programa de chequeo, consulte [Diagnóstico de fallos, página 59](#).

Modo de hibernación



El instrumento se puede poner en el modo de hibernación.

1. Pulse brevemente el botón de encendido que hay junto a la pantalla.
Aparecerá el mensaje "Modo de hibernación". A continuación, la pantalla se apagará automáticamente.
2. Para encenderla, pulse el botón de encendido situado junto a la pantalla.
La autocomprobación se inicia automáticamente.
A continuación, el instrumento está listo para su uso.

Apagado del instrumento

1. Pulse el botón de encendido situado junto a la pantalla durante aproximadamente 5 segundos.

Programas estándar

Consejos para el uso de la pantalla táctil

Toda la pantalla es táctil. Para elegir una opción, dé un golpecito con la uña, la punta del dedo, una goma de borrar o un lápiz especial. No presione la pantalla con un objeto puntiagudo como, por ejemplo, la punta de un bolígrafo.

- No coloque nada encima de la pantalla, pues se podría rayar.
- Pulse sobre botones, palabras o iconos para seleccionarlos.
- Utilice la barra de desplazamiento para moverse rápidamente por la lista. Pulse y mantenga pulsada la barra de desplazamiento y después mueva la punta del dedo hacia arriba o hacia abajo para moverse por la lista.
- Para seleccionar un elemento en una lista, pulse ese elemento una vez. Cuando lo haya seleccionado correctamente, se visualizará como texto inverso (texto claro sobre fondo oscuro).

Uso del teclado alfanumérico



Este teclado alfanumérico se emplea para introducir letras, números y símbolos al programar el instrumento. Las opciones no disponibles están desactivadas. Los iconos de la derecha e izquierda de la pantalla se describen en la [Tabla 1](#).

El teclado central cambia para reflejar el modo de introducción elegido. Pulse una tecla repetidamente hasta que aparezca en la pantalla el carácter deseado. Para introducir un espacio utilice el subrayado de la tecla **YZ_**.

Pulse **Cancelar** para cancelar una introducción o pulse **OK** para confirmar la introducción.

Nota: También es posible utilizar un teclado USB (con la configuración del teclado de EE. UU.) o un escáner de códigos de barras USB de mano.

Tabla 1 Teclado alfanumérico

Icono / tecla	Descripción	Función
ABC/abc	Alfabético	Cambia el modo de introducción de caracteres entre mayúsculas y minúsculas.
# %	Símbolo	Se puede introducir puntuación, símbolos, subíndices y superíndices.
123	Numérico	Para introducir números normales.
CE	Borrar programa introducido	Borra la introducción.
Flecha izquierda	Atrás	Borra el carácter actual y retrocede una posición.
Flecha derecha	Siguiente	Se desplaza al siguiente espacio en una entrada.

Menú Principal

Menú Principal		
Programas almacenados	Programas de códigos de barras	
Programas del usuario	Programas favoritos	Registrar
Longitud de onda única	Long. de onda múltiple	ID muestra
Escan. longitud de onda	Lapso de tiempo	Temporizad
02-FEB-2011 12:14		ACA
Verificaciones del sistema	Recuperar datos	Tendencias
Configuración del instrumento		

En el Menú Principal pueden seleccionarse diversos modos operativos. En la siguiente tabla se describe brevemente cada opción del menú.

Hay una barra de herramientas en la parte derecha de la pantalla. Púlsela para activar las diversas funciones.

Tabla 2 Opciones del Menú Principal

Opción	Función
Programas almacenados / Programas de códigos de barras	Los programas almacenados son métodos preprogramados que utilizan productos químicos de HACH y test de tubos. Par más información, así como instrucciones de procesos paso a paso e ilustradas para realizar análisis utilizando programas HACH, se encuentran disponibles en el sitio web del fabricante.
Programas del usuario	Los Programas del usuario hacen posible la realización de análisis personalizados: <ul style="list-style-type: none"> Los usuarios pueden programar métodos desarrollados por ellos mismos Los métodos existentes de HACH se pueden almacenar como programas del usuario.
Favoritos	Enumera los métodos y tests creados por el usuario para dar respuesta a sus propias necesidades.

Tabla 2 Opciones del Menú Principal

Opción	Función
Longitud de onda única	Las medidas de la longitud de onda única son: Medidas de absorbancia: La luz absorbida por la muestra se mide en unidades de absorbancia. Medida de transmitancia (%): Mide el porcentaje de luz original que atraviesa la muestra y alcanza el detector. Medidas de concentración: Introduciendo un factor de concentración se pueden convertir los valores medidos de absorbancia en valores de concentración.
Long. de onda múltiple	En este modo, la absorbancia (Abs) o el porcentaje de transmitancia (%T) se miden hasta con cuatro longitudes de onda; además, se calculan las diferencias y relaciones de absorbancia. Asimismo, se realizan conversiones simples en concentraciones.
Barrido de longitud de onda	El barrido de longitud de onda muestra cómo se absorbe la luz de una muestra en un espectro de longitud de onda definido. Esta función se puede utilizar para determinar la longitud de onda a la cual se puede medir el valor de absorbancia máximo. El comportamiento de la absorbancia se muestra de manera gráfica durante el barrido.
Cinéticas en el tiempo	Las cinéticas en el tiempo registran la absorbancia o la transmitancia (%) a una longitud de onda en un periodo de tiempo definido.
Pruebas del sistema	El menú "Pruebas del sistema" incluye varias opciones, como pruebas ópticas, pruebas de salida, historial de la lámpara, actualización del instrumento, tiempos de servicio, configuración del aseguramiento de la calidad analítica y backup del instrumento.
Recuperación de datos de mediciones	Los datos almacenados se pueden abrir, filtrar, enviar y borrar.
Configuración del instrumento	En este modo, se pueden introducir configuraciones específicas del usuario o del método: ID del usuario, ID de muestra, fecha y hora, sonido, PC e impresora, contraseña, modo de ahorro de energía y datos almacenados.

Almacenamiento, recuperación, envío y borrado de datos

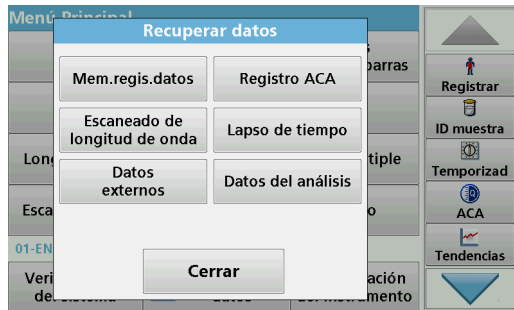
Registro de datos

En el registro de datos se pueden almacenar hasta 2000 mediciones que guardan los siguientes programas:

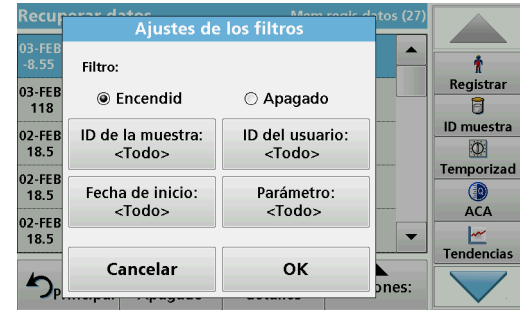
- Programas almacenados,
- Programas de códigos de barras,
- Programas del usuario,
- Favoritos,
- Longitud de onda única y
- Long. de onda múltiple.

Se memorizará un registro completo del análisis, que incluye fecha, hora, resultados, ID de la muestra e ID del usuario.

Recuperación de datos almacenados de un registro de datos



1. Pulse **Recuperar datos** en el Menú Principal.
2. Pulse **Mem.regis.datos** .
Aparecerá un listado de los datos almacenados.



3. Pulse **Filtro: Encendido/Apagado**.
La función **Ajustes de los filtros** se utiliza para buscar elementos específicos.
4. Active **Encendido**. Ahora los datos se pueden filtrar utilizando los siguientes criterios de selección.
 - ID de la muestra
 - ID del usuario
 - Fecha de inicio
 - Parámetroo cualquier combinación de los cuatro.



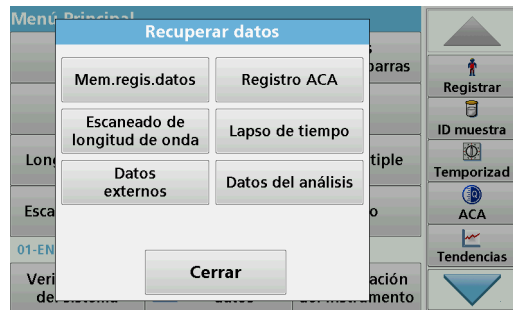
5. Pulse **OK** para confirmar la selección.
Se enumerarán los elementos seleccionados.
6. Pulse **Ver detalles** para obtener más información.

Envío de datos del registro de datos

AVISO

La seguridad de la red y del punto de acceso es responsabilidad del cliente que utiliza el instrumento inalámbrico. El fabricante no se hará responsable de ningún daño, incluyendo, sin limitación, daños indirectos, especiales, fortuitos o circunstanciales provocados por el incumplimiento o la violación de la seguridad en la red.

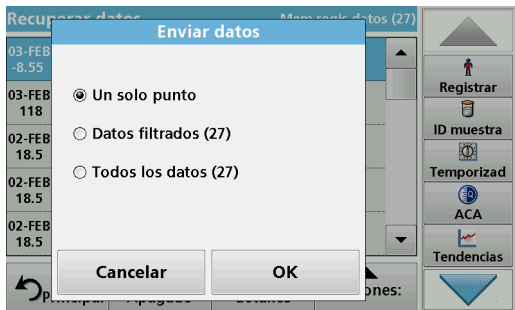
Los datos se envían desde el registro de datos interno como un archivo XML (Lenguaje de marcas extensible) o como un archivo CSV (Valor separado por comas) a un directorio con el nombre DataLog que se encuentra en un dispositivo de almacenamiento masivo USB o en una unidad de red. El archivo se puede procesar utilizando un programa de hojas de cálculo. El nombre de archivo tiene el formato: DLAño-Mes-Día_Hora_Minuto_Segundo.csv o DLAño-Mes-Día_Hora_Minuto_Segundo.xml.



1. Enchufe el dispositivo de almacenamiento USB al puerto USB de tipo A en el DR 3900, o conecte el DR 3900 a una unidad de red.
2. Pulse **Recuperar datos** en el Menú Principal.
3. Seleccione la categoría de los datos que se van a transferir (por ejemplo, **Mem. regis. datos**).
Aparecerá un listado de los datos de mediciones seleccionados.



4. Pulse **Opciones** y, continuación, el icono **PC e Impresora**.



5. Seleccione los datos que se van a enviar. Están disponibles las siguientes opciones:
- **Un solo punto:** sólo se enviará esta medición seleccionada
 - **Datos filtrados:** sólo se enviarán las mediciones que se correspondan con los filtros definidos
 - **Todos los datos:** se enviarán todos los datos de la categoría de datos seleccionada.
6. Pulse **OK** para confirmar.

Nota: El número que aparece entre paréntesis indica el número total de datos que fueron asignados a esta selección.

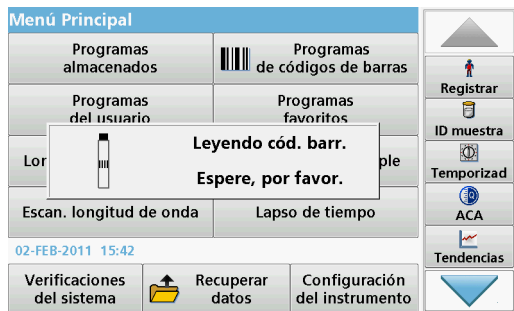
Programas almacenados

Programas almacenados		
10	Aluminium Alumin.	0.800 mg/L
9	Aluminium ECR	0.250 mg/L
20	Barium	100 mg/L
30	Benzotriazol	16.0 mg/L
280	Blei Dithizon	300 µg/L
283	Blei LeadTrak	150 µg/L
40	Bor	14.0 mg/L
50	Brom	4.50 mg/L
55	Brom AV	4.50 mg/L
434	COD FD HR	1000 mg/L

Menú Principal Seleccionar por número Agregar a Favoritos Inicio

1. Pulse **Programas almacenados** en el Menú Principal para visualizar una lista alfabética de los programas almacenados con números de programa.
Aparecerá la lista "Programas almacenados".
2. Seleccione el test adecuado.
Sugerencia: Seleccione el programa por su nombre o desplácese por la lista utilizando las teclas de flecha. Marque el programa o seleccione **Seleccionar por número**, para buscar un número de programa específico. Pulse **OK** para confirmar.
3. Pulse **Inicio** para ejecutar el programa. Aparece la ventana de medición correspondiente.
Sugerencia: Todos los datos correspondientes (longitud de onda, factores y constantes) ya están predeterminados.
4. Siga las instrucciones de los procedimientos químicos en el manual de procedimientos correspondiente. Más información disponible en el sitio web del fabricante.
Sugerencia: Para ver las instrucciones de los procedimientos en la pantalla, pulse el icono de información. No todos los programas tienen esta opción.

Realización de un test de códigos de barras



1. Introduzca el protector de luz en el compartimento de cubetas (2).
2. Prepare el test de códigos de barras de acuerdo con el procedimiento, e introduzca la cubeta en el compartimento de cubetas (1).
 - Al colocar una cubeta en el compartimento de cubetas (1) (Figura 3, página 50), el programa de medición correspondiente se activa de forma automática en el Menú Principal.
 - Si no es así, pulse **Programas de códigos de barras** en el Menú Principal e introduzca una cubeta cero (dependiendo del procedimiento) en el compartimento de cubetas (1).



La medición comienza automáticamente y aparecen los resultados.

Para evaluar otros test de cubetas y otros parámetros, introduzca la cubeta preparada en el compartimento de cubetas y compruebe los resultados.

Nota: La barra de control que aparece en la parte derecha de la pantalla muestra la relación del resultado de la medición con el rango de medida. La barra negra muestra el resultado de la medición independientemente del factor de dilución introducido.

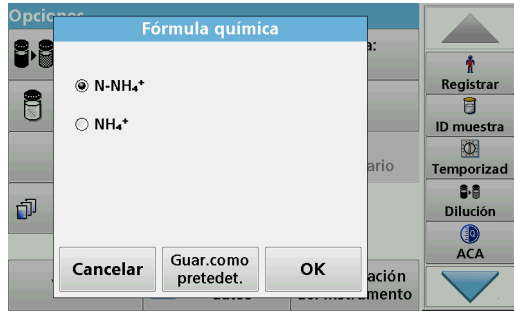
Selección de la fórmula de evaluación química

La fórmula química del resultado del test de varios parámetros se puede seleccionar de forma individual.

1. En la pantalla de resultados, pulse la unidad (p. ej., mg/L) o la representación química de la fórmula de evaluación (p. ej., $\text{PO}_4^{3-}\text{-P}$).
Aparecerá una lista de fórmulas de evaluación disponibles.
2. Seleccione la fórmula deseada en la lista. Pulse **OK** para confirmar.

Otra forma de cambiar el ajuste estándar consiste en los siguientes pasos:

Diagnóstico de fallos



1. En la pantalla de resultados, pulse **Opciones>Más>Fórmula química**.

Aparecerá una lista de fórmulas de evaluación disponibles.

2. Seleccione la fórmula química y pulse **OK** para confirmar.

Sugerencia: Aparecerá la fórmula química seleccionada, pero no pasará a ser la predeterminada. Para cambiar el valor por defecto, consulte [sección Cambio de la configuración predeterminada de la fórmula química](#).

Cambio de la configuración predeterminada de la fórmula química

1. Introduzca la cubeta cero o la cubeta de muestra (correspondiente al procedimiento) en el compartimento de cubetas.
2. En la pantalla de resultados, pulse **Opciones>Más>Fórmula química**.
3. Aparecerá una lista de fórmulas de evaluación disponibles. Seleccione la nueva configuración predeterminada.
4. Pulse **Guardar como predet.**

El resultado actual y el resto de las medidas aparecerán en la nueva fórmula química.

Error mostrado	Definición	Resolución
¡Atención! Inserte el protector de luz	Las mediciones con cubetas de código de barras suelen requerir protector de luz.	Introduzca el protector de luz. Pulse OK .
Etiqueta del código de barras no leída	Código de barras defectuoso.	Vuelva a introducir la cubeta. Si no se reconoce el código de barras, póngase en contacto con el fabricante o su representante.
Se ha producido un error al cargar los datos del instrumento.		Vuelva a iniciar el procedimiento o póngase en contacto con el fabricante o su representante.
Se ha producido un error al leer la memoria USB.		Vuelva a iniciar el procedimiento o póngase en contacto con el fabricante o su representante.
Se ha producido un error al escribir en la memoria USB.		Vuelva a iniciar el procedimiento o póngase en contacto con el fabricante o su representante.
Compruebe el último fichero de actualización.	Error durante la actualización.	Compruebe la memoria USB.
Contacte con el dpto. de servicio.	Error durante la actualización.	
Compruebe la configuración de red.		
Compruebe la conexión.		
Cierre la tapa.		Tápela.

Error mostrado	Definición	Resolución
Inserte la memoria USB.		Introduzca una memoria USB en un puerto USB A del instrumento.
Compruebe la conexión y contacte con su administrador.	Error de configuración de red o FTP.	
No es posible corregir el valor blanco	La corrección del valor de blanco no es posible con LCW919.	
Actualización del instrumento. Archivo perdido.	Error durante la actualización.	Compruebe la memoria USB.
Actualización del instrumento. Archivo dañado.	Error durante la actualización.	Vuelva a guardar el archivo de actualización y repita el procedimiento.
Se recomienda realizar una verificación del sistema completa	La comprobación de los valores de aire ha fallado.	Apague el instrumento y vuelva a encenderlo. Si la verificación del sistema no es correcta, póngase en contacto con el fabricante o su representante.
Introducción no válida	Contraseña incorrecta.	¿Ha olvidado la contraseña? Póngase en contacto con el fabricante o su representante.
¡Absorbancia >3.5!	La absorbancia medida es superior a 3.5.	Diluya la muestra y vuelva a realizar la medición.
Fallo ¿Nº de control del cód. de barras? Actualice datos del programa	Desviación respecto a los datos almacenados.	Actualice los datos.

Error mostrado	Definición	Resolución
Error al llamar a la dirección IP local.	Configuración de red: el cliente DHCP no tiene conexión con el servidor DHCP.	Vuelva a introducir la dirección IP.
Error durante la configuración del gateway por defecto.	Configuración de red: el gateway por defecto no se puede configurar para una dirección IP fija.	Intente volver a crear la conexión.
¡Error durante la configuración de la unidad de red!	Error durante la configuración de la red.	Compruebe los ajustes.
Error durante la configuración de la máscara de subred.	Configuración de red: la máscara de subred no se puede configurar para una dirección IP fija.	Vuelva a introducir la máscara de subred.
Error al copiar desde la memoria USB.	Error durante la actualización	Vuelva a iniciar el procedimiento o póngase en contacto con el fabricante o su representante.
Error en la conexión FTP.	Error de FTP.	Asegúrese de que el instrumento esté conectado a la red.
Fallo Programa no accesible. Actualice los datos del programa	Test de código de barras no presente.	Actualice los datos.
Fallo ¡Limpie la cubeta!	La cubeta está sucia o contiene partículas sin disolver.	Limpie la cubeta; deje que las partículas se sedimenten.

Error mostrado	Definición	Resolución
Fallo ¡Programa de test interrumpido! Compruebe la lámpara Cierre la tapa. Error [xx]	El programa de test se interrumpe cuando se inicia el instrumento.	Compruebe la lámpara y, si fuera necesario, cámbiela. Cierre la tapa. Pulse Volver a empezar .
Fallo Programa de test interrumpido. Retire la cubeta Cierre la tapa.	El programa de test se interrumpe cuando se inicia el instrumento.	Retire la cubeta del compartimento de cubetas. Pulse OK .
Error Autocomprobac. interrumpida. Error de hardware. Error [x]	Fallo electrónico.	Póngase en contacto con el fabricante o con un representante e indíquele el número de error.
Error ¡Demasiada luz ambiental! Ponga el equipo a la sombra o cierre la tapa	Los sensores del instrumento detectan demasiada luz en el ambiente.	Disminuya la luz ambiental. (Evite los rayos directos del sol). Cierre la tapa.
Para este programa no existe ninguna función de ayuda.		
¡Se ha superado la vida útil! ¿Utiliza productos químicos?		Posiblemente el análisis es erróneo. Utilice productos químicos nuevos.
¡No existe evaluación!	Error en la base de datos de tests / base de datos del usuario.	Revise la programación Póngase en contacto con el fabricante o con un representante.

Error mostrado	Definición	Resolución
¡Sin código de barras!	No se ha encontrado el código de barras.	Vuelva a introducir la cubeta. Si no se reconoce el código de barras, póngase en contacto con el fabricante o su representante.
¡Ningún backup de instrumento disponible!		Compruebe la memoria USB.
¡Datos no válidos para este parámetro!	No es posible realizar el análisis de datos, no hay datos de mediciones.	Cambie la selección.
No se han encontrado datos válidos.	No es posible ver los datos en el registro de datos.	Cambie la selección.
No hay ninguna función de ayuda.		
No disponibles datos de mediciones.	Los ajustes del análisis de datos no se pueden configurar sin datos de mediciones.	Cambie la selección.
¡Rango de control no alcanzado!	No se han alcanzado los límites del análisis de datos.	Se trata de una advertencia. No se ha alcanzado el límite de control fijado.
¡Se ha superado el rango de control!	Se han superado los límites del análisis de datos.	Se trata de una advertencia. Se ha superado el límite de control.
¡Concentrac. demasiado alta!	La concentración calculada es mayor que 999999.	Diluya la muestra y vuelva a realizar la medición.
Por encima del rango de medida	La absorbancia medida es superior al rango de calibración del test.	Diluya la muestra y vuelva a realizar la medición.

Error mostrado	Definición	Resolución
Por debajo del rango de medida	La absorbancia medida es inferior al rango de calibración del test.	Si fuera posible, seleccione un test con un rango de medida más bajo o utilice una cubeta que tenga un camino mayor.
Posible interferencia por:	Comprobación de interferencias.	Posiblemente el análisis es erróneo debido a interferencias.
Posible interferencia de:	Comprobación de interferencias.	Posiblemente el análisis es erróneo debido a interferencias.
¡Siguiente inspección está pendiente!		Póngase en contacto con el fabricante o su representante para realizar una inspección del instrumento.
¡Resultado negativo!	El resultado calculado es negativo.	Compruebe la concentración de muestra.
Red apagada.	La Configuración de red se apaga cuando se accede a la página de inicio de Instrumentos a través de la barra lateral.	Active la conexión en línea.
Servidor remoto inalcanzable.	Error durante la configuración de la red.	Asegúrese de que el instrumento esté conectado a la red.
¡Condiciones de iluminación inestables!		Evite la luz directa del sol en la ubicación de medición.
Memoria insuficiente para la actualización.	Error durante la actualización.	Seleccione una memoria con más espacio.
Verificación del sistema incorrecta.	Ha fallado la medición de los valores del aire.	Apague el instrumento y vuelva a encenderlo. Si la verificación del sistema no es correcta, póngase en contacto con el fabricante o su representante.

Error mostrado	Definición	Resolución
Temperatura demasiado alta. ¡No es posible realizar la medición!		Apague el instrumento y deje que se enfríe unos minutos. Si es necesario, llévelo a un lugar más frío.
El archivo de actualización es defectuoso.	Error durante la actualización.	Vuelva a guardar el archivo de actualización y repita el procedimiento.
Memoria USB no conectada.	No es posible realizar la actualización.	Compruebe la memoria USB.
Servidor Web inalcanzable.	No se puede encontrar la página de inicio de Instrumentos.	Vuelva a intentar realizar la conexión más tarde.

Piezas de repuesto

Descripción	Nº No.
Lámpara halógena	LPZ440.99.00007
Adaptador de cubetas A para cubetas redondas de 1 pulgada y rectangulares de 1 cm	LZV846
Adaptador de cubetas B para cubetas rectangulares de 3 cm, sólo China	LZV847
Protector de luz	LZV849
Fuente de alimentación de sobremesa	LZV844
Cable de conexión EU	YAA080
Cable de conexión CH	XLH051
Cable de conexión GB	XLH057
Cable de conexión US	XLH055
Cable de conexión China/Australia	XLH069
Funda guardapolvo	LZV845
Compartimento de cubetas	LZV848

Especificações

Estão sujeitas a alterações sem aviso!

Especificações de desempenho	
Modo de operação	Transmitância (%), Absorbância e Concentração
Fonte de luz	Lâmpada halógena
Faixa de Comprimento Onda	320 a 1100 nm
Precisão do comp. de onda	± 1.5 nm (faixa de comprimento de onda de 340–900 nm)
Capacidade de reprodução do comprimento de onda	± 0.1 nm
Resolução do comprimento de onda	1 nm
Calibração do comprimento de onda	Automático
Seleção do comprimento de onda	Automático, baseado na seleção de método
Velocidade de leitura	≥ 8 nm/s (em passos de 1 nm)
Largura de banda espectral	5 nm
Faixa de medição fotométrica	± 3.0 Abs (faixa de comprimento de onda de 340–900 nm)
Precisão fotométrica	5 m Abs a 0.0–0.5 Abs 1% a 0.5 a 2.0 Abs
Linearidade fotométrica	< 0.5% a 2 Abs ≤1% a > 2 Abs com vidro neutro a 546 nm
Luz espúria	< 0.1% T a 340 nm com NaNO ₂

Especificações de desempenho	
Registro de dados	2000 leituras (resultado, data, tempo, ID de amostra, ID do usuário)
Programas de usuário	100

Especificações físicas e ambientais	
Largura	350 mm (13.078 pol)
Altura	151 mm (5.94 pol)
Profundidade	255 mm (10.04 pol)
Peso	4200 g (9.026 lb)
Requisitos ambientais de operação	10–40 °C (50–104 °F), máximo de 80% de umidade relativa (sem formação de condensação)
Requisitos ambientais de armazenamento	-40–60 °C (-40–140 °F), máximo de 80% de umidade relativa (sem formação de condensação)
Dados técnicos adicionais	
Conector de alimentação por meio de fonte de alimentação externa	Entrada: 100 a 240 V ± 10 VAC/50 a 60 Hz Saída: 15 V/40 VA
Interfaces	Use apenas cabo blindado com extensão máxima de 3 m: 2x USB tipo A 1x USB tipo B Utilize apenas cabo blindado (por exemplo, STP, FTP, S/FTP) com extensão máxima de 20 m: 1x Ethernet
Classificação da caixa	IP40
Classe de proteção	Classe I

Especificações de desempenho	
Altitude	2000 m
Grau de poluição	2
Capacidade de sobrecarga	II
Condições ambientais	Somente para uso interno.
Fonte de alimentação	Fonte de alimentação externa

Informações gerais

Informações de segurança

Leia todo este manual antes de desembalar, configurar ou operar este equipamento. Preste atenção a todos os avisos de perigo e advertência. Ignorar esses avisos pode resultar em lesões graves ao operador ou danos ao equipamento.

Para garantir que a proteção dada por este instrumento não seja prejudicada, não utilize nem instale o instrumento de nenhuma forma diferente da especificada nestas instruções de operação.

⚠ PERIGO
Indica uma situação potencial ou eminentemente perigosa que, se não for evitada, resulta em morte ou lesão grave.

⚠ ADVERTÊNCIA
Indica uma situação potencialmente perigosa que, se não for evitada, pode resultar em morte ou ferimento grave.



⚠ CUIDADO
Indica uma situação potencialmente perigosa que pode resultar em lesões leves ou moderadas.

AVISO
Indica uma situação que, se não for evitada, pode resultar em danos ao instrumento. Informações que exigem atenção especial.

Observação: *Informações que complementam alguns pontos no texto principal.*

Etiquetas de prevenção

Leia todas as marcas e etiquetas fixadas no instrumento. Caso essas informações não sejam observadas, poderão ocorrer lesões pessoais ou danos ao instrumento. Será incluído um símbolo nas instruções de operação, caso apareça no instrumento, com uma declaração de perigo ou cuidado.

	Este símbolo, se observado no instrumento, diz respeito ao manual de instruções para operação e/ou informações de segurança.
	Os equipamentos elétricos marcados com este símbolo não podem ser descartados nos sistemas de coleta pública da Europa desde 12 de agosto de 2005. Em conformidade com as normas locais e nacionais europeias (Diretiva da UE 2002/96/EC), os usuários dos equipamentos elétricos da Europa devem agora devolver os equipamentos antigos ou no final da vida útil para o fabricante para fins de descarte, sem custo algum ao usuário. Observação: <i>Para que o produto seja reciclado, entre em contato com o fabricante ou fornecedor do equipamento para receber instruções sobre como devolver equipamentos no final da vida útil, acessórios elétricos fornecidos pelo fabricante e todos os itens auxiliares, para descarte correto.</i>

Módulo RFID (não disponível em todos os modelos)

A tecnologia RFID é um aplicativo de rádio. Os aplicativos de rádio estão sujeitos às condições nacionais de autorização. Em caso de dúvida, entre em contato com o distribuidor.

O DR 3900 contém um módulo RFID para receber e transmitir informações e dados. O módulo RFID opera com uma frequência de 13,56 MHz.

ADVERTÊNCIA

O espectrofotômetro não pode ser usado em ambientes perigosos.
O fabricante e seus funcionários rejeitam qualquer garantia expressa ou indireta para uso com as Atividades de Alto Risco.

Siga as informações de segurança apresentadas na seqüência, além de todas as diretrizes locais em vigor.

Informações de segurança para o uso correto do instrumento:

- Não opere o instrumento em hospitais ou estabelecimento comparáveis que estejam perto de equipamentos médicos, como marca-passos ou aparelhos de auxílio à audição.
- Não opere o instrumento perto de substâncias inflamáveis, como combustíveis, produtos químicos altamente inflamáveis e explosivos.
- Não opere o instrumento perto de gases combustíveis, vapores ou poeira.
- Não cause vibrações ou golpes ao instrumento.
- O instrumento pode causar interferência a televisores, rádios e computadores que estejam muito perto.
- Não abra o instrumento.
- O uso incorreto do instrumento anula a garantia.

Segurança química e biológica

PERIGO

Perigo potencial em caso de contato com materiais químicos/biológicos.
O manuseio de produtos químicos, padrões e reagentes pode ser perigoso.
Familiarize-se com os procedimentos de segurança necessários e o manuseio correto dos produtos químicos antes de iniciar os trabalhos e leia e siga todas as folhas de dados de segurança relevantes.

A operação normal deste instrumento pode envolver o uso de produtos químicos de risco ou amostras biológicas nocivas.

- Observe todas as informações preventivas impressas nos recipientes das soluções originais e nas folhas de dados de segurança antes do uso.
- Descarte todas as soluções consumidas de acordo com as normas e leis nacionais.
- Selecione o tipo de equipamento proativo ideal para concentração e quantidade de material perigoso no respectivo local de trabalho.

Visão geral do produto

O DR 3900 é um espectrofotômetro VIS com faixa de comprimento de onda de 320 a 1100 nm. O instrumento é entregue com uma série completa de programas e oferece suporte para vários idiomas.

O espectrofotômetro DR 3900 contém os seguintes programas e tipos de operação:

- Programas armazenados (testes pré-instalados)
- Programas de código de barras
- Programas do Usuário
- Favoritos
- Compr. Onda Único
- Compr. Onda Múltiplo
- Varred. Compr. Onda
- Intervalo de tempo

O espectrofotômetro DR 3900 fornece opções de leitura em unidades de concentração, absorbância ou porcentagem de transmitância.

Quando se escolhe um método gerado pelo usuário ou programado, os menus e as solicitações servem para direcionar o usuário pelo teste.

Este sistema de menu pode também gerar relatórios, avaliações estatísticas de curvas de calibração geradas e relatar verificações de diagnóstico de instrumentos.

Instalação

ADVERTÊNCIA

Perigo elétrico e de incêndio.

Use somente a fonte de alimentação LZV844 de bancada fornecida.

Apenas especialistas qualificados podem executar as tarefas descritas nesta seção do manual, seguindo todas as normas de segurança válidas localmente.

Desembale o instrumento

O espectrofotômetro DR 3900 vem com os seguintes itens:

- Espectrofotômetro DR 3900
- Capa de proteção contra poeira
- Tampa protetora contra pó USB, instalada por padrão
- Fonte de alimentação de bancada com cabo de alimentação para US, GB
- Adaptador de célula A
- Barreira luminosa, instalada por padrão no DR 3900
- Tag RFID do operador (não disponível em todos os modelos)
- Instruções básicas de operação do DR 3900, instruções de operação do LINK2SC

Para obter mais informações, consulte a documentação e os manuais detalhados do usuário disponíveis no site do fabricante.

Observação: *Se qualquer destes itens estiver faltando ou danificado, entre em contato com o fabricante ou representante de vendas imediatamente.*

Ambiente operacional

Observe os seguintes pontos para que o instrumento opere perfeitamente e tenha vida útil longa.

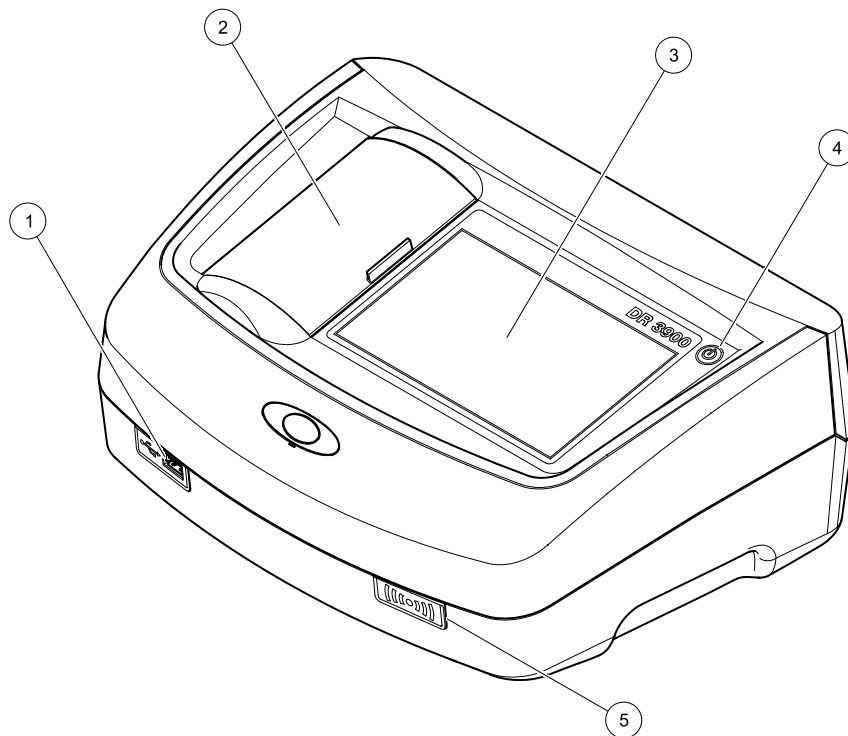
- Coloque o instrumento firmemente em uma superfície nivelada. Não empurre qualquer objeto sobre o instrumento.
- A temperatura ambiente deve ser de 10 a 40 °C (50 a 104 °F).
- A umidade relativa deve ser menor que 80%; a umidade não deve condensar no instrumento.
- Deixe pelo menos 15 cm de espaço na parte de cima e em todos os lados para circulação de ar, a fim de evitar superaquecimento das peças elétricas.
- Não opere ou armazene o instrumento em locais extremamente empoeirados, úmidos ou molhados.
- Mantenha a superfície do instrumento, o compartimento de célula e todos os acessórios limpos e secos todo o momento. Remova imediatamente espirros ou materiais derramados sobre ou dentro do instrumento.

AVISO

Proteja o instrumento contra temperaturas extremas provenientes de aquecedores, luz direta do sol e outras fontes de calor.

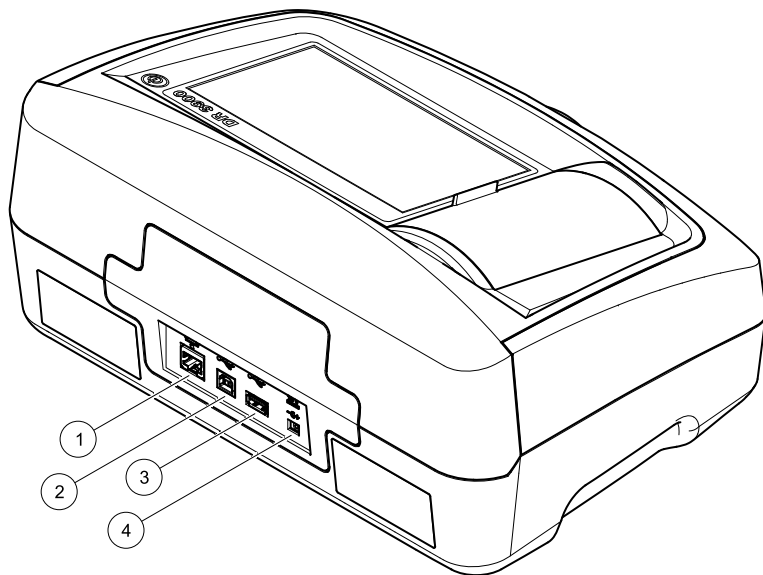
Vista frontal e vista traseira

Figura 1 Vista frontal



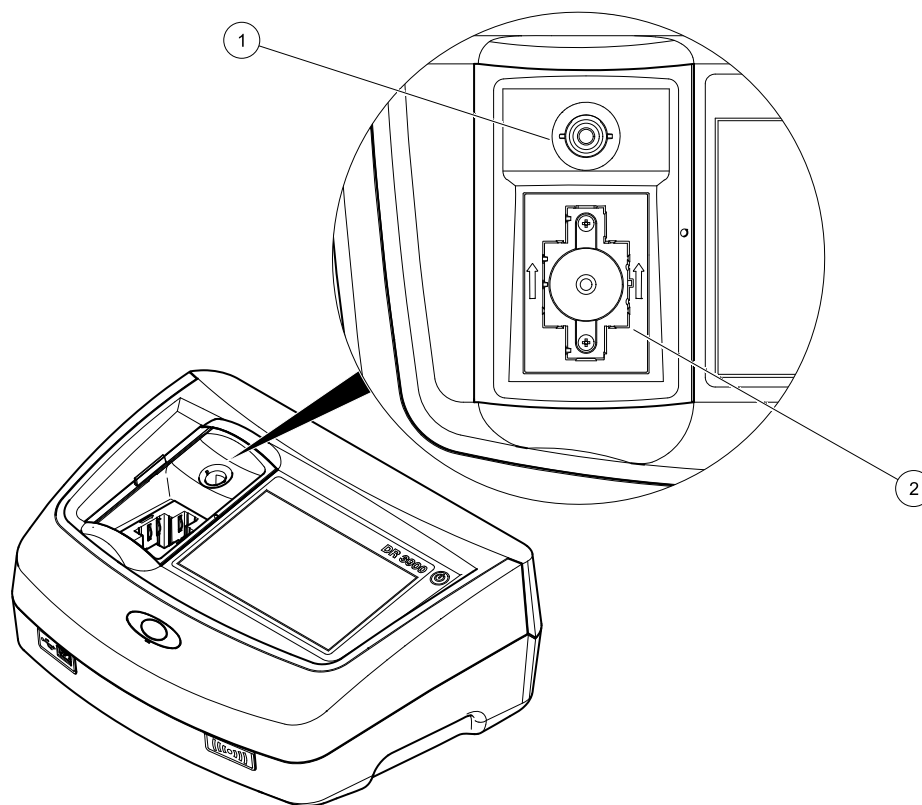
1	Porta USB tipo A	4	Lig./Des.
2	Tampa do compartimento de célula	5	Módulo RFID (não disponível em todos os modelos)
3	Tela de toque		

Figura 2 Vista traseira



1	Porta Ethernet	3	Porta USB tipo A
2	Porta USB tipo B	4	Conexão para fonte de alimentação de bancada

Figura 3 Compartimentos da célula



1 Compartimento de tubos (1)

2 Compartimento de células variadas (2)

Conexões de energia

⚠️ ADVERTÊNCIA

Perigo elétrico e de incêndio.
Use somente a fonte de alimentação LZV844 de bancada fornecida.

1. Conecte o cabo de alimentação à fonte de alimentação de bancada.
2. Conecte o cabo da fonte de alimentação de bancada à parte de trás do instrumento (Figura 2, página 70).
3. Insira o plugue do cabo de alimentação na tomada elétrica na parede (100 a 240 V~/50 a 60 Hz

Ligue o botão de alimentação ao lado do visor para ligar a fonte de alimentação (Figura 1, página 69).

Inicialização

Ativação, processo de inicialização

1. Conecte o cabo de alimentação à tomada elétrica.
2. Ative o instrumento usando o botão de alimentação perto do visor.
3. O instrumento é iniciado automaticamente com um processo de inicialização que dura aproximadamente 45 segundos. O visor mostra o logotipo do fabricante. No final do processo de inicialização, um som de inicialização é ouvido.

Observação: *Aguarde aproximadamente 20 segundos antes de ativar novamente para não danificar os componentes eletrônicos e mecânicos do instrumento.*

Seleção de idioma



O software do DR 3900 inclui várias opções de idioma. Quando o instrumento é ativado pela primeira vez, a tela de seleção de idioma será mostrada automaticamente após o processo de inicialização.

1. Selecione o idioma necessário.
2. Pressione **OK** para confirmar a seleção de idioma. A autoverificação será iniciada automaticamente.

Alterar as configurações de idioma

O instrumento funciona nos idiomas selecionados até a opção ser alterada.

1. Ligue o instrumento.
2. Durante o processo de inicialização, toque em qualquer ponto da tela e mantenha o contato até a opção de selecionar um idioma ser exibida 45 segundos).
3. Selecione o idioma necessário.
4. Pressione **OK** para confirmar a seleção de idioma. A autoverificação será iniciada automaticamente.

Autoverificação



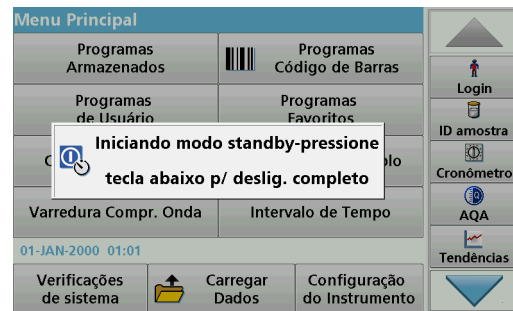
Sempre que o instrumento for ligado, um programa de teste será iniciado.

O procedimento, que demora aproximadamente dois minutos, verifica o sistema, lâmpada, ajuste do filtro, calibração do comprimento de onda e voltagem. Cada teste que funciona corretamente é marcado de acordo.

O Menu Principal é exibido quando o diagnóstico é concluído.

Observação: Em caso de mensagens de erro adicionais durante o programa de teste, consulte [Resolução de problemas, página 80](#).

Modo standby



O instrumento pode ser colocado no modo standby.

1. Pressione brevemente o botão de alimentação perto do visor. A mensagem "Modo standby" é exibida. O visor será desligado automaticamente.
2. Para ativar, pressione brevemente o botão de alimentação perto do visor. A autoverificação será iniciada automaticamente. Após isso, o instrumento estará pronto para uso.

Desligue o instrumento

1. Pressione o botão de alimentação perto do visor por aproximadamente 5 segundos.

Programas padrão

Dicas para uso da tela de toque

Toda a tela de toque responde a toques. Para escolher uma opção, toque com a unha, com o dedo, um apagador ou uma caneta eletrônica especial. Não pressione a tela com objeto afiado, como a ponta de uma caneta esferográfica.

- Não coloque qualquer coisa em cima da tela, para evitar danos ou arranhões.
- Pressione botões, palavras ou ícones para selecioná-los.
- Use barras de rolagem para mover para baixo e para cima por uma lista longa rapidamente. Pressione e segure a barra de rolagem, então mova para cima ou para baixo pela lista.
- Selecione um item da lista pressionando uma vez. Quando o item for selecionado com sucesso, ele será exibido como texto revertido (texto com luz sobre fundo escuro).

Use o teclado alfanumérico



A tela é usada para inserir letras, números e símbolos conforme o necessário quando programar o instrumento. Opções indisponíveis estão desabilitadas (em cinza) Os ícones na direita e esquerda da tela são descritos em [Tabela 1](#).

As mudanças no teclado central refletem as escolhidas no modo de inserção. Pressione uma tecla até os caracteres desejados aparecerem na tela. Um espaço pode ser inserido usando o sublinhado na tecla **YZ_**.

Pressione **Cancelar** para cancelar uma entrada ou **OK** para confirmar uma entrada.

Observação: Também é possível usar um teclado USB (com layout de teclado padrão americano) ou um leitor de código de barras USB.

Tabela 1 Teclado alfanumérico

Ícone / Chave	Descrição	Função
ABC/abc	Alfabético	Alterna o modo de entrada de caracteres entre letras maiúsculas e minúsculas.
# %	Símbolos	Pontuação, símbolo, sub- e super - scripts numéricos podem ser inseridos.
123	Numérico	Para inserir números comuns
CE	Limpar inserção	Limpar a inserção
Seta da esquerda	Voltar	Exclui o caractere atual e volta uma posição.
Seta da direita	Seguinte	Navega até o próximo espaço em uma entrada.

Menu principal



Uma variedade de modos pode ser selecionada no "Menu Principal". A tabela a seguir descreve rapidamente cada opção do menu.

Há uma barra de ferramentas no lado direito da tela. Pressione para ativar as várias funções.

Tabela 2 Opções do Menu Principal

Opção	Função
Programas armazenados / Programas de código de barra	Os programas armazenados são métodos pré-programados que usam substâncias químicas HACH e testes de cubetas. Para obter mais informações e instruções ilustradas passo a passo sobre como fazer análises usando programas HACH, consulte o site do fabricante.
Programas do Usuário	Os programas do usuário tornam possível as "análises feitas para medições": <ul style="list-style-type: none"> • Usuários podem programar métodos desenvolvidos para eles • Métodos HACH existentes podem ser armazenados como programas do usuário.
Favoritos	Lista de métodos/testes criados pelo usuário de acordo com seus próprios requerimentos.

Tabela 2 Opções do Menu Principal

Opção	Função
Compr. Onda Único	Leituras de comprimento de onda único são: Leituras de absorbância: a luz absorvida pela amostra é medida em unidades de absorbância. Leitura de transmitância (%): mede a porcentagem da luz original que passa pela amostra e chega no detector. Leituras de concentração: um fator de concentração pode ser inserido para permitir que os valores de absorbância sejam convertidos em valores de concentração.
Compr. Onda Múltiplo	No modo Comprimento de Onda Múltipla, a absorbância (Abs) ou porcentagem de transmitância (%T) é medida em até quatro comprimentos de onda, diferenças de absorbância e relacionamentos de absorbância são calculados. Conversões simples em concentrações também podem ser feitas.
Varred. Compr. Onda	Uma varredura de comprimento de onda mostra como a luz de uma amostra é absorvida em um espectro de comprimento de onda definido. Essa função pode ser usada para determinar o comprimento de onda em que o valor de absorbância máximo pode ser medido. O comportamento de absorbância é exibido graficamente durante a varredura.
Intervalo de tempo	A varredura de tempo registra a absorbância ou a % de transmitância em um comprimento de onda por um tempo definido.
Verificações do Sistema	O menu "Verificação do sistema" oferece várias opções, incluindo verificações ópticas, verificações de saída, histórico da lâmpada, atualização do instrumento, tempo de serviço, configurações de garantia de qualidade analítica e backup do instrumento.
Carregar dados de medição	Dados armazenados podem ser visualizados, filtrados, enviados e excluídos.
Configuração do Instrumento	Neste modo, configurações específicas de usuário ou de método podem ser inseridas; ID do operador, ID de amostra, data e hora, som, PC e impressora, senha, modo de economia de energia e dados armazenados.

Salvar, carregar, enviar e excluir dados

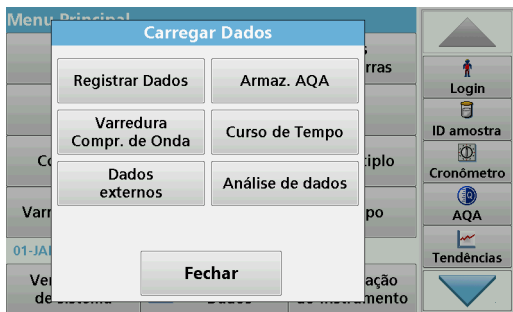
O registro de dados

O log de dados pode armazenar até 200 leituras salvas pelos seguintes programas:

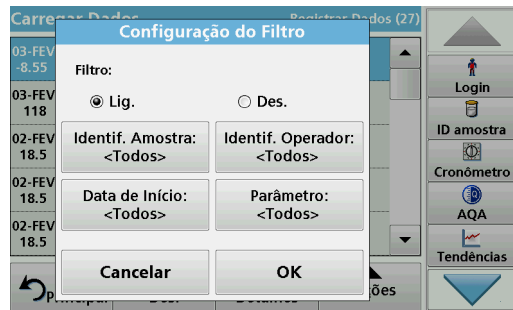
- Programas armazenados,
- Programas de código de barras,
- Programas de usuário,
- Favoritos,
- Comprimento de onda único e
- Compr. Onda Múltiplo.

Um registro completo da análise é armazenado incluindo data, horário, resultados, ID da amostra e ID do operador.

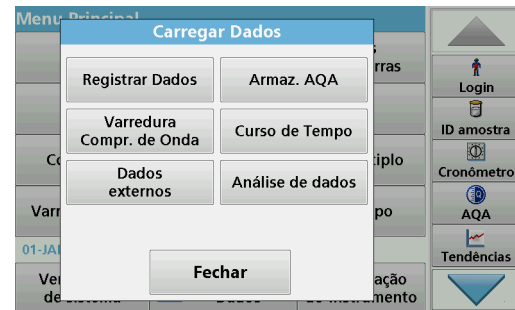
Chamar dados armazenados do registro de dados



1. Pressione **Carregar Dados** no Menu Principal.
2. Pressione **Registro de Dados**.
Uma lista de dados armazenados é exibida.



3. Pressione **Filtro: Lig./Des.**.
A função **Configurações de Filtro** é usada para pesquisar por itens específicos.
4. Ative **Lig.**. Agora, os dados podem ser filtrados com o uso dos critérios de seleção apresentados na sequência.
 - ID da amostra
 - ID do operador
 - Data de início
 - Parâmetroou qualquer combinação dos quatro.



5. Pressione **OK** para confirmar a seleção.
Os itens escolhidos são listados.
6. Pressione **Visualizar Detalhes** para obter mais informações.

Enviar dados do registro de dados

AVISO

A segurança de rede e de ponto de acesso é responsabilidade do cliente que utiliza o instrumento sem fio. O fabricante não será responsável por quaisquer danos, incluindo, e não se limitando a danos incidentais ou consequenciais, especiais ou indiretos que foram causados por falha ou violação de segurança de rede.

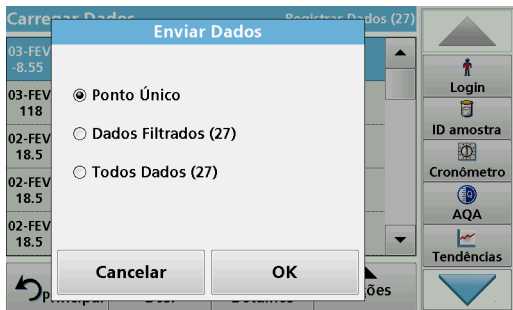
Os dados são enviados do log de dados internos como um arquivo XML (Extensible Markup Language) ou CSV (Comma Separated Value) a um diretório com o nome DataLog em um dispositivo de armazenamento em massa USB ou uma unidade de rede. O arquivo pode então ser processado usando um programa de planilha. O nome do arquivo tem o formato: DLAno-Mês-Dia_Hora_Minuto_Segundo.csv ou DLAno-Mês-Dia_Hora_Minuto_Segundo.xml.

1. Conecte o dispositivo de armazenamento USB à porta USB tipo A no DR 3900 ou conecte o DR 3900 a uma unidade de rede.
2. Pressione **Carregar Dados** no Menu Principal .
3. Selecione a categoria de dados de transferência, por exemplo, **Registrar Dados**.

Uma lista de dados de medição selecionados é exibida.



4. Pressione **Opções** e depois o ícone **PC e Impressora**.



5. Selecione os dados a serem enviados. As seguintes opções estão disponíveis:
- **Ponto Único:** apenas a leitura selecionada será enviada
 - **Dados filtrados:** somente leituras correspondentes aos filtros definidos serão enviadas
 - **Todos os dados:** todos os dados na categoria de dados selecionada serão enviados.
6. Pressione **OK** para confirmar.

Observação: O número em parênteses é o número total de grupo de dados designado para esta seleção.

Programas armazenados

Programas Armazenados		
10	Aluminium Alumin.	0.800 mg/L
9	Aluminium ECR	0.250 mg/L
20	Barium	100 mg/L
30	Benzotriazol	16.0 mg/L
280	Blei Dithizon	300 µg/L
283	Blei LeadTrak	150 µg/L
40	Bor	14.0 mg/L
50	Brom	4.50 mg/L
55	Brom AV	4.50 mg/L
434	COD FD HR	1000 mg/L

Menu Principal
Selecione por Número
Adicionar a Favoritos
Iniciar

1. Pressione **Programas Armazenados** no Menu Principal para visualizar uma lista alfabética de programas armazenados com números de programa.
A lista "Programas Armazenados" será exibida.
2. Selecione o teste exigido.
Hinweis: *Selecione o programa por nome ou role a lista usando as teclas de seta. Selecione o programa ou pressione **Selecionar por Número** para pesquisar um número de programa específico. Pressione **OK** para confirmar.*
3. Pressione **Iniciar** para executar o programa. A respectiva janela de medição é exibida.
Hinweis: *Todos os dados correspondentes (comprimento de onda, fatores e constantes) já são predefinidos.*
4. Siga as instruções para procedimentos químicos no manual de procedimentos relevante. Mais informações estão disponíveis no site do fabricante.
Hinweis: *Para exibir as instruções de procedimento no visor, pressione o ícone de informações. Nem todos os programas têm essa opção.*

Complete um teste de código de barras



1. Insira a barreira luminosa no compartimento de célula (2).
2. Prepare o teste de código de barras de acordo com a especificação do processo e insira o tubo no compartimento de tubos (1).
 - Quando um tubo codificado é colocado no compartimento de tubos (1) (Figura 3, página 71), o programa de leitura correspondente é automaticamente ativado no Menu Principal.
 - Caso contrário, pressione **Programas Cód. Barras** no Menu Principal e insira o tubo zero (dependendo da especificação do processo) no compartimento de tubos (1).



A leitura é iniciada automaticamente, e os resultados são exibidos.

Para avaliar outros testes de célula e outros parâmetros, insira a célula preparada no compartimento de célula de leia o resultado.

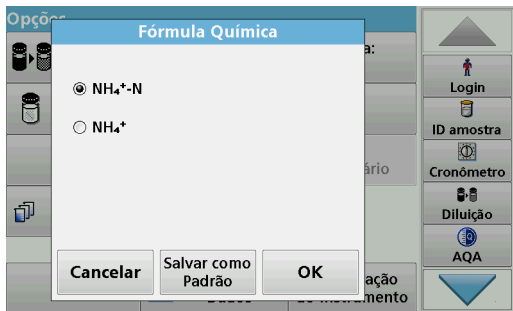
Observação: A barra de controle exibida à direita da tela mostra o relacionamento do resultado da leitura para a faixa de medição. A barra preta mostra o resultado medido, independentemente de qualquer fator de diluição especificado.

Selecione a fórmula de avaliação química

A fórmula química do resultado do teste de vários parâmetros pode ser selecionada individualmente.

1. No resultado da exibição, pressione a unidade (por exemplo, mg/L) ou a representação química da fórmula de avaliação (por exemplo, $\text{PO}_4^{3-}\text{-P}$).
Uma lista de avaliações disponíveis aparece.
2. Selecione a fórmula necessária na lista. Pressione **OK** para confirmar.

Outra forma de alterar a configuração padrão é:



1. Na tela de resultado, pressione **Opções>Mais>Fórmula Química**. Uma lista das formas de avaliação disponíveis aparece.
2. Selecione a fórmula química necessária e pressione **OK** para confirmar.

Hinweis: A fórmula química selecionada é exibida, mas não se torna o padrão. Para alterar o padrão, consulte [seção Altere as configurações padrão da fórmula química..](#)

Altere as configurações padrão da fórmula química.

1. Insira a célula de amostra ou de solução zero (correspondente à especificação do processo) no compartimento de célula.
2. Na tela de resultado, pressione **Opções>Mais>Fórmula Química**.
3. Uma lista das formas de avaliação disponíveis aparece. Selecione a nova configuração padrão.
4. Pressione **Salvar como Padrão**.

O resultado atual e todas as outras leituras serão exibidas na nova fórmula química.

Resolução de problemas

Erro exibido	Definição	Resolução
Atenção! Por favor, insira um Light Shield	Leituras com cubetas de código de barras geralmente precisam da barreira luminosa.	Insira o Light Shield. Pressionar OK .
Código de barras não lido	Código de barras com falha	Reinsira a célula. Se o código de barras não for reconhecido, entre em contato com o fabricante ou seu representante.
Ocorreu um erro ao fazer o upload dos dados do instrumento.		Inicie o procedimento novamente ou entre em contato com o fabricante ou seu representante.
Ocorreu um erro ao ler o cartão de memória USB.		Inicie o procedimento novamente ou entre em contato com o fabricante ou seu representante.
Ocorreu um erro ao gravar no cartão de memória USB.		Inicie o procedimento novamente ou entre em contato com o fabricante ou seu representante.
Verifique o arquivo de atualização atual.	Erro durante a atualização.	Verifique o cartão de memória USB.
Entre em contato com Serviços ao Cliente.	Erro durante a atualização.	
Verifique a configuração da rede.		
Verifique a conexão.		
Feche a tampa.		voltada para o lado direito.

Erro exibido	Definição	Resolução
Insira o cartão de memória USB.		Insira o cartão de memória USB em uma porta USB A no instrumento.
Verifique a conexão e entre em contato com o administrador.	Configuração de rede ou erro de FTP	
A correção do valor em branco não é possível!	A correção do valor em branco não é possível com LCW919.	
Arquivo de atualização do instrumento ausente.	Erro durante a atualização.	Verifique o cartão de memória USB.
Arquivo de atualização do instrumento com falha.	Erro durante a atualização.	Salve o arquivo de atualização novamente e repita o procedimento.
É recomendado executar uma Verificação de Sistema completa.	Falha na verificação dos valores de ar	Desligue o instrumento e ligue-o novamente em seguida. Se a verificação de sistema não for feita com êxito, entre em contato com o fabricante ou seu representante.
Entrada inválida!	Senha incorreta	Esqueceu a senha? Entre em contato com o fabricante ou seu representante.
Absorbância > 3.5!	A absorbância medida excede 3.5	Dilua a amostra e meça novamente
Número de verificação de código de barras com falha? Atualize os dados de programa!	Desvio para os dados armazenados	Atualização de dados

Erro exibido	Definição	Resolução
Erro ao chamar o endereço IP local.	Configuração de rede: o cliente DHCP não tem nenhuma conexão com o servidor DHCP	Informe o endereço IP novamente.
Erro durante a configuração do gateway padrão.	Configuração de rede: não é possível definir o gateway padrão para o endereço IP fixo	Tente criar a conexão novamente.
Erro durante a configuração da unidade de rede!	Erro durante a configuração da rede	Verifique as configurações.
Erro durante a configuração da máscara de sub-rede.	Configuração de rede: não é possível definir a máscara de sub-rede para o endereço IP fixo	Informe a máscara de sub-rede novamente.
Erro ao copiar do cartão de memória USB.	Erro durante a atualização	Inicie o procedimento novamente ou entre em contato com o fabricante ou seu representante.
Erro na conexão FTP.	Erro de FTP	Certifique-se de que o instrumento esteja conectado à rede.
Programa com falha não acessível. Atualize os dados de programa!	Teste de código de barras não presente	Atualização de dados
Falha ao limpar cubeta!	A cubeta está suja ou há partículas não dissolvidas na cubeta	Limpe a cubeta; deixe as partículas se estabilizarem
Programa de teste com falha interrompido! Verifique a lâmpada Fechar tampa Erro [xx]	O programa de teste é interrompido quando o instrumento é iniciado	Verifique a lâmpada e troque se necessário Feche a tampa. Pressione Iniciar Novamente .

Erro exibido	Definição	Resolução
Programa de teste com falha interrompido! Remova a cubeta Fechar tampa	O programa de teste é interrompido quando o instrumento é iniciado	Remova a célula de cubeta/amostra do compartimento de célula. Pressionar OK .
Erro Auto verificação interrompida Erro de hardware Erro [x]	Defeito eletrônico	Entre em contato com o fabricante ou representante de vendas e indique o número do erro.
Erro Muita luz ambiente! Mova o instrumento para a sombra ou feche a tampa	Os sensores do instrumento detectam muita luz ambiente.	Diminua a luz ambiente. (Evite luz solar direta.) Feche a tampa.
Nenhuma função de ajuda está disponível para este programa.		
Vida de prateleira excedida! Usar substâncias químicas?		A análise possivelmente está incorreta. Use novas substâncias químicas
Sem avaliação!	Erro no banco de dados de teste / banco de dados do usuário	Verifique a programação Entre em contato com o fabricante ou representante de vendas
Nenhum código de barras!	Nenhum código de barras encontrado	Reinsira a célula. Se o código de barras não for reconhecido, entre em contato com o fabricante ou seu representante.
Nenhum backup de instrumento presente!		Verifique o cartão de memória USB.

Erro exibido	Definição	Resolução
Nenhum dado válido para estes parâmetros!	A análise de dados não é possível, nenhum dado de medição	Altere a seleção.
Nenhum dado válido encontrado!	Não é possível ver os dados no log	Altere a seleção.
Nenhuma função de ajuda presente.		
Nenhum dado de medição presente!	As configurações de análise de dados não podem ser definidas sem os dados de medição.	Altere a seleção.
Faixa de controle não atingida!	Limites de análise de dados não atingidos	Esta é uma mensagem de aviso. O limite de controle definido não foi atingido.
Faixa de controle excedida!	Limites de análise de dados excedidos.	Esta é uma mensagem de aviso. O limite de controle foi excedido.
A concentração está muito alta!	A concentração calculada é maior do que 999999	Dilua a amostra e meça novamente
Além do alcance de medição	A Absorbância medida está acima do alcance de calibração para o teste	Dilua a amostra e meça novamente
Dentro do alcance de medição	A Absorbância medida está abaixo do alcance de calibração para o teste	Se possível, selecione um teste com faixa de leitura inferior ou use uma cubeta com maior caminho
Possível interferência de:	Verificação de Interferência	A análise possivelmente está incorreta devido a interferências.
Possível interferência de:	Verificação de Interferência	A análise possivelmente está incorreta devido a interferências.

Erro exibido	Definição	Resolução
O próximo serviço está vencido!		Entre em contato com o fabricante ou seu representante para uma inspeção do instrumento.
Resultado negativo!	O resultado calculado é negativo	Verifique a concentração da amostra
Rede desativada.	Configuração de rede desativada, quando se acessa página principal instrumentos via barra lateral	Ative a conexão online.
Não é possível acessar o servidor remoto.	Erro durante a configuração da rede	Certifique-se de que o instrumento esteja conectado à rede.
Condições instáveis de luz!		Evite luz solar direta no local de medição.
Memória insuficiente para atualização.	Erro durante a atualização.	Selecione uma memória com mais espaço.
Verificação do sistema incorreta!	Falha na medição dos valores de ar	Desligue o instrumento e ligue-o novamente em seguida. Se a verificação de sistema não for feita com êxito, entre em contato com o fabricante ou seu representante.
Temperatura está muito alta. A medição não é possível!		Desligue o instrumento e deixe-o esfriar por alguns minutos. Se necessário, mova-o para um local mais fresco.
O arquivo de atualização está com falha.	Erro durante a atualização.	Salve o arquivo de atualização novamente e repita o procedimento.

Erro exibido	Definição	Resolução
O cartão de memória USB não está conectado.	A atualização não é possível.	Verifique o cartão de memória USB.
Não é possível acessar o servidor da Web.	Não é possível acessar a página inicial instrumentos	Tente a conexão novamente mais tarde.

Peças de Reposição

Descrição	Cat. nº.
Lâmpada halógena	LPZ440.99.00007
Adaptador de célula A para células retangulares de 1 cm e redondas de 1 polegada	LZV846
Adaptador de célula B para células retangulares de 3 cm, China somente	LZV847
Barreira luminosa	LZV849
Fonte de alimentação de bancada	LZV844
Cabo de energia EU	YAA080
Cabo de energia CH	XLH051
Cabo de energia UK	XLH057
Cabo de energia US	XLH055
Cabo de energia China/Austrália	XLH069
Capa de proteção contra poeira	LZV845
Compartimento da célula	LZV848

规格

产品规格如有变化，恕不另行通知！

性能规格	
操作模式	百分比透射率、吸光率和浓度
光源灯	卤钨灯
波长范围	320 - 1100 纳米
波长精度	± 1.5 纳米 (波长范围 340 - 900 纳米)
波长重复性	± 0.1 纳米
波长分辨率	1 纳米
波长校准	自动
波长选择	自动, 根据方法设定
扫描速度	≥ 8 纳米 / 秒 (每步 1 纳米)
光谱带宽	5 纳米
光度测量范围	± 3.0 Abs (波长范围 340 - 900 纳米)
光度精度	5 米 Abs, 0.0 - 0.5 Abs 1%, 0.50 - 2.0 Abs
光度线性	< 0.5% 到 2 Abs ≤1%, > 2 Abs, 中性玻璃, 546 纳米
杂散光	< 0.1% T, 使用 NaNO ₂ 在 340 纳米时测试
数据日志	2000 个读数 (结果、日期、时间、样品识别符、用户识别符)
用户程序	100

性能规格	
物理和环境规格	
宽度	350 毫米 (13.78 英寸)
高度	151 毫米 (5.94 英寸)
深度	255 毫米 (10.04 英寸)
质量	4200 克 (9.26 磅)
环境操作要求	10 - 40 ° C (50 - 104 ° F), 最大 80% 相对湿度 (未形成冷凝水)
环境存储要求	-40 - 60 ° C (40 - 140 ° F), 最大 80% 相对湿度 (未形成冷凝水)
附加技术数据	
经由外部电源的电源连接器	输入: 100 - 240 V ± 10 VAC/50 - 60 Hz 输出: 15 V/40 VA
接口	仅可选用最大长度为 3 米的屏蔽电缆: 2x USB A 类 1x USB B 类 仅可选用最大长度为 20 米的屏蔽电缆, 例如 STP、FTP 和 S/FTP。 1x 以太网
外壳防护等级	IP40
保护等级	I 类
海拔	2000 m
污染程度	2
超电压类别	II
使用环境	仅限室内使用。
电源	外部电源

一般信息

安全信息

在开箱、安装和操作此设备之前，请完整地阅读本手册。请留意所有危险和注意声明。否则，可能导致操作员受到严重伤害或设备损坏。

要确保本仪器所提供的防护措施不受破坏，请不要使用这些操作说明规定之外的方法来安装或者使用本仪器。



危险

表示潜在或非常危险的情形，如果不加以避免，将导致死亡或严重伤害。



警告

表示潜在或紧急的危险情况，如果不加以避免的话，可能导致死亡或严重的伤害。



小心

表示潜在的危险情况，可能导致轻度或中度伤害。

注意

表示要注意的情况，如果不加以避免，可能对仪器造成损坏。需要特别强调的信息。

注： 用于补充正文内容的信息。

警示标签

查看设备附带的所有标签和标记。如未遵照这些信息的指示进行操作，则可能造成人身伤害或仪器损坏。仪器上如有标志，则操作说明中会提供危险或小心说明。



仪器上如有此标志，可参考用户手册以获取相关的操作和 / 或安全信息。



标有此符号的电气设备在 2005 年 8 月 12 日后，在欧洲国内不能通过公共垃圾系统进行处理。根据欧洲当地和国内的规定 (EU Directive 2002/96/EC)，欧洲的电气设备用户现在必须将旧的或报废的设备返还给制造商进行处理，用户无需缴纳费用。

注： 有关废品回收的信息，请联系设备制造商或供应商，索取如何退回使用寿命到期的设备、制造商提供的电气附件以及所有辅助部件的说明，以便正确处理。

RFID 模块（部分机型未提供）

RFID 技术是一项无线电应用。无线电应用取决于国家授权情况。如有任何疑问，请与分销商联系。

DR 3900 含有可接收和传送信息及数据的 RFID 模块。RFID 模块可以在 13.56MHz 频率下运行。



警告

不可在危险环境下使用分光光度计。

制造商和供应商拒绝为高风险行为提供任何明确的或间接的保证。

遵守以下安全信息以及当地任何现行准则。

安全信息用于确保正确使用仪器。

- 在医院或类似场所，请勿在靠近如心扉脉冲产生器或助听器类似医疗设备旁操作此仪器。
- 请勿在极为易燃的物品旁操作此仪器，例如燃料、极为易燃的化学品和爆炸物。
- 请勿在靠近燃气、蒸汽或灰尘处操作仪器。
- 请勿振动或摇晃仪器。
- 仪器在直接靠近电视、收音机和计算机时会产生干扰。
- 请勿打开仪器。
- 仪器使用不当会使保修失效。

危险

接触生化材料会带来隐患。
在处理化学样品、标准和试剂时可能遇到危险。
在工作前，熟悉必要的安全过程和正确的化学品处理方法，阅读并遵守所有相关的安全数据表单。

此仪器的正常操作中可能会涉及危险化学品或有害生物制品。

- 必须在使用前仔细查看原始溶液容器上印有的所有警告信息以及安全数据表单。
- 按照国家法规处理消耗的所有溶液。
- 选择的保护设备类型应能应对相应工作区域的危险品浓度和数量。

产品概述

DR 3900 是波长范围在 320 到 1100nm 的一种可见分光光度计。此仪器随附了整套的应用程序并支持多种语言。

分光光度计 DR 3900 包含以下程序和操作类型：

- 已存储程序（预安装的测试）
- 条形码程序
- 用户程序
- 常用程序
- 单波长
- 多波长
- 波长扫描
- 时间扫描

DR 3900 分光光度计可提供浓度单位、吸光率或透射率百分比的直观数字读数。

在选择用户生成的或编程的方法时，菜单和提示将用于引导用户完成测试。

此菜单系统也生成报告、对生成的校准曲线进行统计估算以及报告仪器诊断检查结果。

警告

电气消防危险。
仅使用提供的台式电源 LZV844。
只有合格的专家才能执行在本节中所述的任务，并且还遵守当地所有现行的安全规定。

仪器拆箱

DR 3900 分光光度计随附以下部件：

- DR 3900 分光光度计
- 防尘盖
- USB 防尘盖，标配件
- 台式电源配有适合在美国、英国
- 比色皿适配器 A
- 遮光罩，DR 3900 标配件
- 操作者 RFID 标签（部分机型未提供）
- DR 3900 基本操作说明，操作说明 LINK2SC

请访问制造商的网站了解进一步信息、详细的用户手册和文档。

注： 这些物品如有任何缺少或损坏，请立即与制造商或销售代表联系。

操作环境

请注意以下几点，以便仪器能够很好地运行并具有较长的使用寿命。

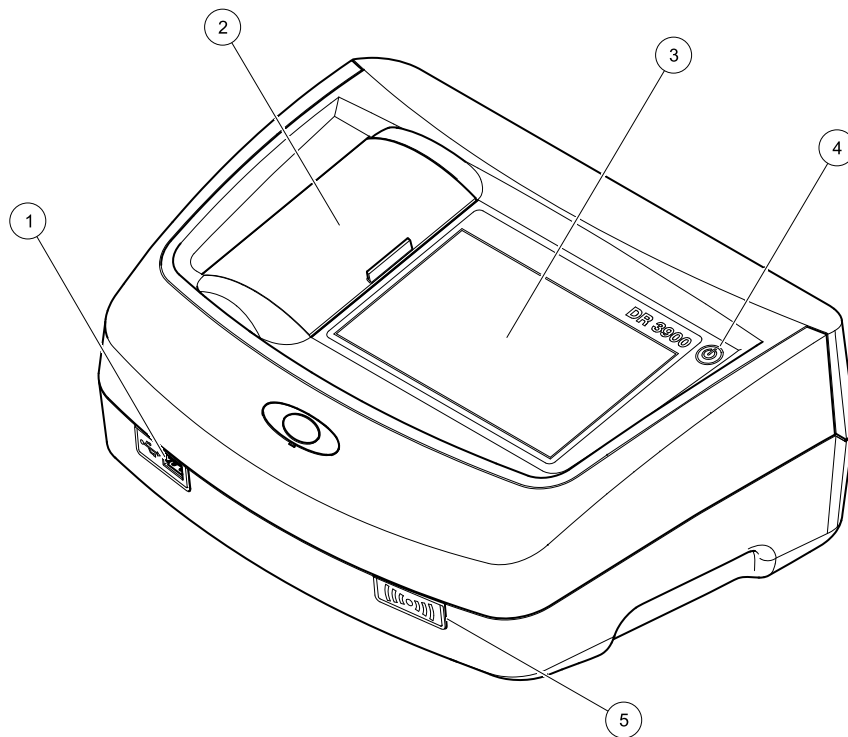
- 将仪器平稳放置在平滑表面。不要推动仪器下的任何物品。
- 环境温度必须为 10 - 40 ° C (50 - 104 ° F)。
- 相对湿度应小于 80%；避免仪器上产生冷凝水。
- 在顶部和各边保留至少 15 厘米间隙供空气循环，以避免电气部件过热。
- 请勿在非常肮脏或潮湿的位置操作或存放仪器。
- 保持仪器表面、样品室和所有配件时刻清洁和干燥。立即清除泼溅到仪器表面或内部的物质。

注意

避免仪器受到加热器、日光直射和其他热源的极端温度影响。

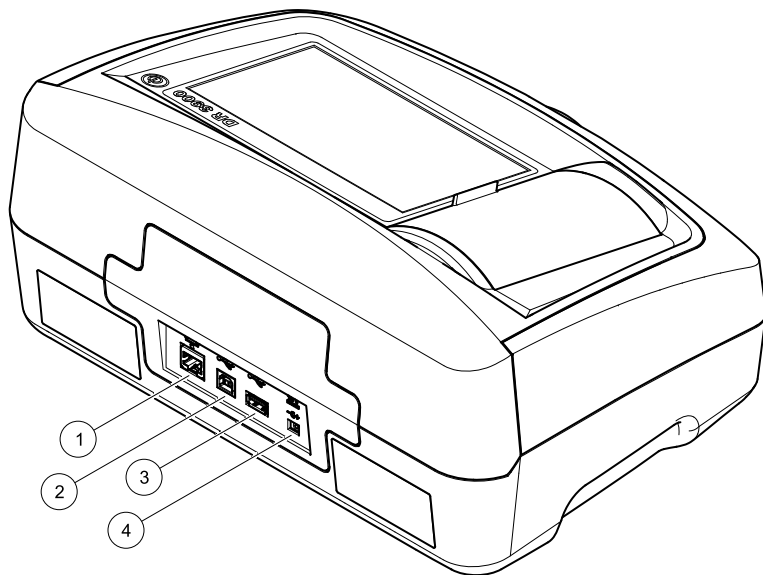
正面和背面视图

图 1 正面视图



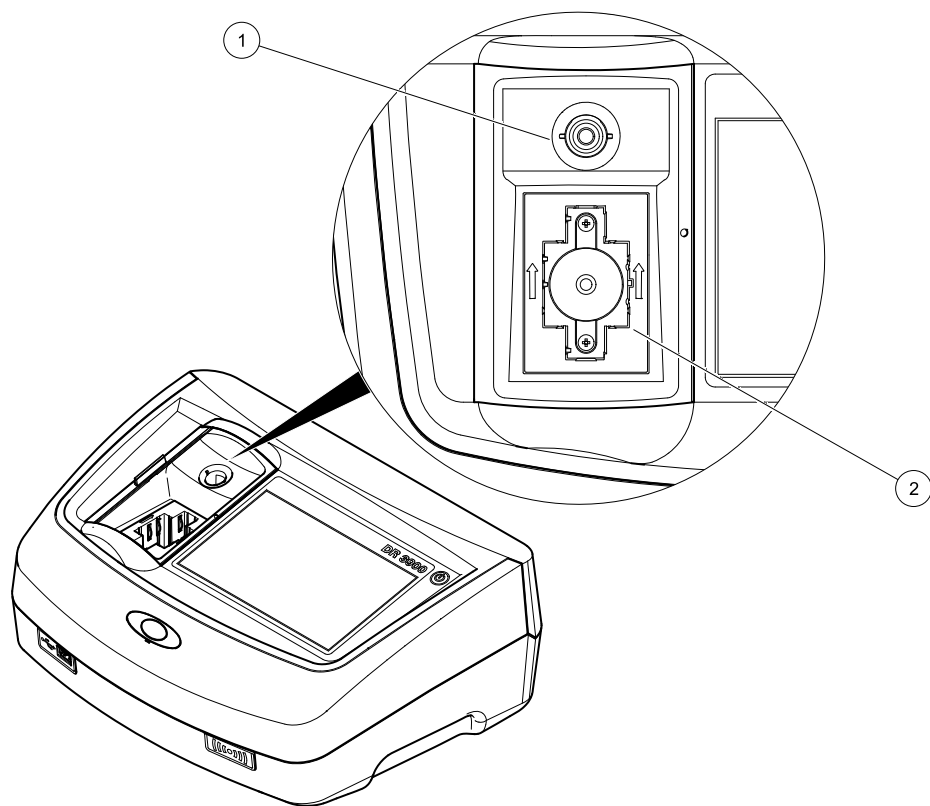
1	USB 端口 A 类	4	开关
2	隔室盖	5	RFID 模块（部分机型未提供）
3	触摸屏		

图 2 背面视图



1	以太网端口	3	USB 端口 A 类
2	USB 端口 B 类	4	台式电源连接

图 3 隔室



1 圆形比色皿 (1) 的隔室

2 矩形比色皿 (2) 的隔室

电源连接

 **警告**

电气消防危险。
仅使用提供的台式电源 LZV844。

1. 将电源线连接至台式电源。
 2. 将台式电源线插入仪器背面（图 2，第 90 页）。
 3. 将电源线插头插入主电源插座（100 - 240 V~/50 - 60 Hz）。
- 打开显示屏旁的电源按钮以开启电源（图 1，第 89 页）。

启动

打开仪器，启动过程

1. 将电源线连接至主电源插座。
2. 使用显示屏旁边的电源按钮，打开仪器。
3. 仪器自动启动，启动过程持续约 45 秒。显示屏显示制造商的徽标。在启动过程结束时，会听到一声启动旋律。

注：在再次接通电源之前，等待大约 **20 秒**，以免损坏仪器的电子和机械设备。

语言选择



DR 3900 软件包括多个语言选项。首次打开仪器时，在启动过程后会自动显示语言选择屏幕。

1. 选择所需的语言。
2. 按 **OK (好)**，确认语言选择。然后会自动开始自检过程。

更改语言设置

在对选项进行更改前，仪器将在所选语言下运行。

1. 打开仪器。
2. 在启动过程中，触碰屏幕上的任意点并保持接触，直到显示选择语言选项（大约 45 秒）。
3. 选择所需的语言。
4. 按 **OK (好)**，确认语言选择。然后会自动开始自检过程。

自检



每次打开仪器电源时，将开始测试程序。

此步骤将对系统、灯、过滤器调整、波长校准和电压执行约两分钟的检查。仪器会相应地标记每个正确执行的测试。

完成诊断后，将显示 Main Menu（主菜单）。

注：如果在测试程序过程中出现进一步的错误消息，请参见[排除故障，第 99 页](#)。

休眠模式



用户可以令仪器进入休眠模式。

1. 快速按显示屏旁边的电源按钮。
此时将显示“休眠模式”消息。之后，显示屏将自动关闭。
2. 要开启，按显示屏旁边的电源按钮。
自检过程将自动开始。
此后，仪器准备就绪，可以开始使用。

关闭仪器

1. 按显示屏旁边的电源按钮大约 5 秒。

标准程序

使用触摸屏的技巧

整个屏幕都可对触摸作出响应。要选择某个选项，请用指甲、指尖、擦除器或专业光笔轻触。请勿使用锐器（例如圆珠笔尖）触击屏幕。

- 在屏幕上请勿放置任何物品，以避免损坏或擦伤屏幕。
- 请按下按钮、单词或图标来选定它们。
- 使用滚动条可以迅速向上 / 向下移动较长的列表。按住滚动条，然后向上 / 向下移动列表。
- 触击列表中某一项，将其突出显示。当该项被成功选定后，会将其反向显示（即暗背景上显示亮文字）

使用字母数字键盘



这个屏幕用于输入在为仪器编程时所需的字母、数字和符号。不可用选项被禁用（以灰色显示）。在表 1 中，对屏幕左右两侧的图标进行了详细说明。

中间的键盘随操作发生变化，以反映用户所选择的输入模式。重复地触击某个键，直至所需字符出现在屏幕上。空格可以通过 **YZ_** 键的下划线来输入。

按 **Cancel**（取消）取消输入，或按 **OK**（好）确认输入。

注：此外，还可以使用 **USB 键盘**（具有美国键盘布局）或手持式 **USB 条形码扫描器**。

表 1 字母数字键盘

图标 / 键	说明	功能
ABC/abc	字母	在大小写之间转换字符输入模式。
# %	符号	可输入标点、符号以及数值型下标和上标。
123	数字	用于输入常规的数字。
CE	清除输入	清除输入的内容。
左箭头	后退	删除当前字符并退回一位。
右箭头	前进	导航至输入条目中的下个空格。

主菜单



可从 **Main Menu**（主菜单）中选择各种模式。下表对各菜单选项进行了简要的描述。

屏幕右侧有一个工具栏。按下可激活各种功能。

表 2 Main Menu（主菜单）选项

选项	功能
存储程序 / 条形码程序 (哈希 - 兰格程序)	已存储的程序是利用哈希化学品和哈希 - 兰格移液管测试的预编程方法。 测试包中包括哈希 - 兰格测试的工作过程。 有关进一步信息以及采用哈希程序进行分析时的分步流程图示说明, 请访问制造商的网站。
用户程序	通过用户程序可“执行测量分析”: <ul style="list-style-type: none"> 用户可对其自身开发的方法编程 可将现有哈希 - 兰格方法存储为用户程序。然后对哈希 - 兰格测试进行修改, 以满足用户需求。
常用程序	由用户创建的用于满足其自身需求的方法 / 测试列表。
单波长	单波长读数具体如下: 吸光率读数: 以吸光率为单位, 测量样品对光线的吸收程度。 透射率读数 (%) : 测量穿透并到达检测器的原始光线的百分比。 浓度读数: 可通过输入的浓度系数将测定的吸光率值转换为浓度值。
多波长	在多波长模式下, 通过多达四个波长测量吸光率 (Abs) 或百分比透射率 (%T), 同时计算吸光率差值和吸光率相关性。也可执行简单的浓度转换。
波长扫描	波长扫描显示来自样品的光线在定义的波谱中是如何被吸收的。此功能可用于确定可测得最大吸光率值的波长。扫描过程中, 吸光率行为以图形方式呈现。
时间扫描	时间扫描可记录在指定时间指定波长下的吸光率或百分比透射率。
系统检查	System Check (系统检查) 菜单提供了大量选项, 其中包括光学检查、输出检查、灯运行时间、仪器更新、服务时间和仪器备份。
调用测量数据	可以调用、过滤、发送和删除已存储的数据。
仪器设置	在此模式下, 可以输入特定于用户或特定于方法的设置: 操作者识别符、样品识别符、日期与时间、声音、计算机与打印机、密码、节能模式和已存储的数据。

保存、调用、发送和删除数据

数据日志

数据日志最多可以存储 2000 条由以下程序保存的读数:

- 存储程序,
- 条形码程序,
- 用户程序,
- 常用程序,
- 单波长和
- 多波长。

存储完整的分析记录, 包括日期、时间、结果、样品 识别符和操作者 识别符。

从数据日志中调用存储数据



1. 在 Main Menu（主菜单）中, 按 Recall Data（调用数据）。
 2. 按 Data Log（数据日志）。
- 此时显示存储数据列表。



3. 按 **Filter: On/Off (过滤: 开/关)**。
可使用 **Filter Settings (过滤设置)** 功能搜索特定项目。

4. 激活 **On (开)**。现在可以使用以下选择标准过滤数据。

- Sample ID (样品编号)
- Operator ID (操作人员编号)
- Start Date (开始日期)
- 参数

或以上四项内容的组合。



5. 按 **OK (好)** 确认所选内容。

此时列出所选项目。

6. 按 **View Details (查看详细信息)**，获取更多信息。

从数据日志发送数据

注意

如果用户使用无线仪器，则有责任确保网络和接入点的安全性。制造商不对由于网络安全漏洞或入侵所导致的任何损坏承担责任，其中包括但不限于间接性、特殊性、结果性或附带性损坏。

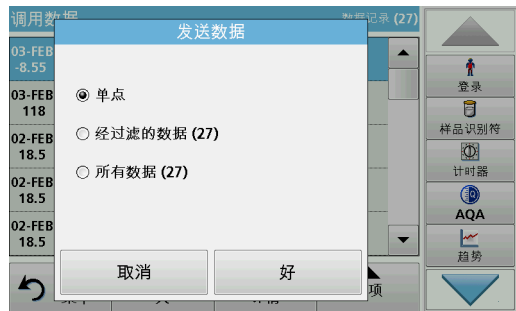
数据将从内部数据日志，以 XML (可扩展标记语言) 文件或 CSV (逗号分隔值) 文件形式，发送到 USB 大容量存储设备或网络驱动器上名为 DataLog 的目录下。然后可使用电子数据表程序对文件进行处理。文件名 格式为: DL年-月-日_小时_分_秒.csv 或 DL年-月-日_小时_分_秒.xml。



1. 将 USB 存储设备插入 DR 3900 上的 USB A 类端口，或者将 DR 3900 连接到网络驱动器。
2. 从 Main Menu（主菜单）中，按 **Recall Data（调用数据）**。
3. 选择要传输的数据目录，例如 **Data Log（数据日志）**。
此时将显示选定的测量数据列表。



4. 按 **Options（选项）**，然后按 **PC & Printer（PC 和打印机）** 图标。



5. 选择要发送的数据。
下列选项可用：
 - 单点：仅发送此选定读数
 - 经过滤的数据：仅发送与设置过滤器相对应的读数。
 - 所有数据：将发送选定数据目录中的所有数据
6. 按 **OK（好）** 确认。
注： 括号中的数字是分配到此选择内容的数据集的总数。

存储程序



1. 在 Main Menu (主菜单) 中, 按 **Stored Programs (存储程序)**, 查看带有程序编号的存储程序字母列表。
此时将显示 Stored Programs (已存储程序) 列表。
2. 选择所需测试。
注: 按名称选择程序或使用箭头键滚动浏览整个列表。高亮显示所需的程序, 或按 **Select by No. (按编号选择)**, 搜索特定的程序编号。按 **OK (好)** 确认。
3. 按 **Start (开始)** 运行程序。此时将显示相应的测量窗口。
注: 所有相应数据 (波长、系数和常数) 均已预设。
4. 遵照相关过程手册中的化学品处理说明。有关进一步信息, 请访问制造商的网站。
注: 要在显示屏上显示方法说明, 请按信息图标。部分程序未提供此选项。

完成条形码测试



1. 将遮光罩插入隔室 (2)。
2. 根据过程规范准备条形码测试, 然后将比色皿插入隔室 (1)。
 - 将带有条形码的比色皿放置在隔室 (1) 中时 (图 3, 第 91 页), 将自动激活 Main Menu (主菜单) 中相应的读数程序。
 - 或者, 在 Main Menu (主菜单) 中按 **Barcode Programs (条形码程序)**, 并将零比色皿 (视过程规范而定) 插入隔室 (1)。



自动开始读数并显示结果。

要评估其他比色皿测试和参数，请将准备好的比色皿插入隔室并读取结果。

注： 屏幕右侧显示的控制栏将显示读取结果与测量范围之间的关系。黑色栏显示与输入的稀释系数无关的测量结果。

选择化学评价形式

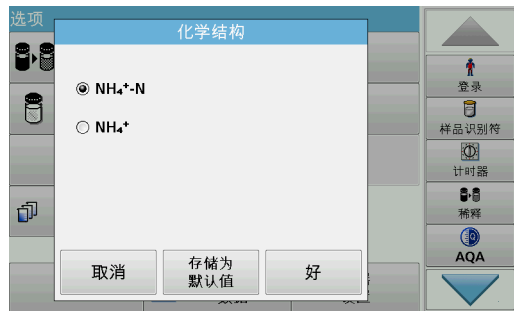
可对许多参数测试结果的化学形式单独进行选择。

1. 在结果显示屏上，按下评估形式的单位（如，毫克/升）或化学方程式（如， $\text{PO}_4^{3-}\text{-P}$ ）。

此时将显示可用评价形式。

2. 从列表中选择所需的形式。按 **OK**（好）确认。

更改标准设置的另一种方法是：



1. 在结果显示屏上，按 **Options**（选项）>**More**（更多）>**Chemical Form**（化学形式）。

此时将显示可用评价形式。

2. 选择所需化学形式并按 **OK**（好）确认。

注： 此时将显示所选化学形式，但不作为默认选择。要更改默认值，请参见[更改化学形式的默认设置](#)小节。

更改化学形式的默认设置

1. 将零比色皿或样品比色皿（相对于过程规范）插入隔室。
2. 在结果显示屏上，按 **Options**（选项）>**More**（更多）>**Chemical Form**（化学形式）。
3. 此时将显示可用评价形式。选择新的默认设置。
4. 按 **Save as Default**（保存为默认设置）。

当前结果和将来所有读数将以新的化学形式显示。

排除故障

显示的错误	说明	解决方法
注意！ 请插入遮光罩。	使用条形码试管进行读数时通常需要遮光罩。	插入遮光罩。 按 OK （好）”。

显示的错误	说明	解决方法
未读取条形码标签	条形码有错	重新插入比色皿。 如果无法识别条形码，请与制造商或其代表联系。
上载仪器数据时出错。		再次开始过程，或者与制造商或其代表联系。
读取 U 盘时出错。		再次开始过程，或者与制造商或其代表联系。
写入 U 盘时出错。		再次开始过程，或者与制造商或其代表联系。
请检查当前的更新文件。	更新时出错。	检查 U 盘。
请与客服代表联系。	更新时出错。	
请检查网络配置。		
请检查连接。		
请合上盖子。		合上盖子。
请插入 U 盘。		将 U 盘插入仪器上的 USB A 端口。
请检查连接并与管理员联系。	网络设置或 FTP 错误	
不能进行空白更正!	不能用 LCW919 进行空白更正!	
缺少用于仪器更新的文件。	更新时出错。	检查 U 盘。
用于仪器更新的文件出错。	更新时出错。	再次保存更新文件并重复此过程。
建议执行全面 系统检查	空气值检查失败	关闭仪器，然后重新打开。如果系统检查不成功，请与制造商或其代表联系。
输入项无效!	密码不正确	忘记密码? 请与制造商或其代表联系。

显示的错误	说明	解决方法
吸光率 > 3.5!	测定的吸光率超过 3.5	将样品稀释并重试
条形码检验编号出错? 请更新程序数据!	偏离存储数据	数据更新
调用本地 IP 地址时出错。	网络设置: DHCP 客户端未与 DHCP 服务器连接	再次输入 IP 地址。
在默认网关设置过程中出错。	网络设置: 无法为固定 IP 地址设置默认网关	重试建立连接。
网络驱动器设置期间出错!	网络设置期间出错!	检查设置。
子网掩码设置期间出错。	网络设置: 无法为固定 IP 地址设置子网掩码	再次输入子网掩码。
从 U 盘进行复制时出错。	更新期间出错。	再次开始过程，或者与制造商或其代表联系。
FTP 连接错误。	FTP 错误	确保已将仪器连接到网络。
无法访问故障程序。 请更新程序数据!	条形码测试不存在	数据更新
故障 清洁试管!	试管受到污染或试管中残留未融解颗粒	清洁试管; 使颗粒沉淀
故障 测试程序已停止! 请检查灯 关上盖子。 错误 [xx]	测试程序在仪器启动时停止	检查灯, 如有必要则进行更换。 合上盖子。 按 Start Again 。
故障 测试程序已停止! 请拆除试管 关上盖子。	测试程序在仪器启动时停止	从样品室中拆除试管 / 样品比色皿。 按 OK (好)。

显示的错误	说明	解决方法
错误 自检已停止。 硬件错误。 错误 [x]	电子线路缺陷	请联系制造商或销售代表并说明错误编号
错误 环境光线过强！ 将仪器移至遮罩下 或合上盖子	仪器传感器检测到环境光线过强。	调暗环境光线。（避免阳光直射。） 合上盖子。
此程序不提供帮助功能。		
超过保存期限！ 是否使用化学品？		分析可能出错。使用新化学品
无计算值！	测试数据库 / 用户数据库出错	检查编程 联系制造商或销售代表
没有条形码！	找不到条形码	重新插入比色皿。 如果无法识别条形码，请与制造商或其代表联系。
仪器备份不存在！		检查 U 盘。
这些参数的数据无效！	无法进行数据分析，没有测量数据	更改选择。
找不到有效数据！	无法在数据日志中查看数据	更改选择。
帮助功能不存在。		
测量数据不存在！	无法在没有测量数据时配置数据分析设置	更改选择。
未达到控制范围！	未达到数据分析限值	这是一则警示。未达到控制极限集。
已超过控制范围！	已超过数据分析限值。	这是一则警示。已超过控制限值。
浓度过高！	计算的浓度高于 999999	将样品稀释并重试

显示的错误	说明	解决方法
超过测量范围	测定吸光率高于测试的校准范围	将样品稀释并重试
低于测量范围	测定吸光率低于测试的校准范围	如果可能，请选择具有较低读数范围的测试或使用具有较长通道长度的试管
可能存在的干扰源：	干扰检查	分析可能由于干扰而出错。
可能存在的干扰形式：	干扰检查	分析可能由于干扰而出错。
下一次检查到期！		请与制造商或其代表联系以检查仪器。
负结果！	计算的结果为负数	检查样品浓度
网络关闭。	通过侧边栏访问仪器主页时，网络设置 将关闭	激活在线连接。
无法连接远程服务器。	网络设置期间出错！	确保已将仪器连接到网络。
光照条件不稳定！		避免阳光直射到测量位置。
空间不足，无法更新。	更新时出错。	选择有更多空间的存储器。
系统检查错误！	空气值测量失败	关闭仪器，然后重新打开。如果系统检查不成功，请与制造商或其代表联系。
温度太高。 无法测量！		关闭仪器，让仪器冷却几分钟。如有必要，请将仪器转移到凉爽的位置。
更新文件错误。	更新时出错。	再次保存更新文件并重复此过程。
U 盘未连接。	无法更新。	检查 U 盘。
无法访问 Web 服务器。	无法访问仪器主页	稍后重试连接。

更换部件

说明	产品目录号:
卤钨灯	LPZ440.99.00007
比色皿适配器 A, 用于 1 厘米矩形和 1 英寸圆形比色皿	LZV846
比色皿适配器 B, 用于 3 厘米矩形比色皿, 仅限中国	LZV847
遮光罩	LZV849
台式电源	LZV844
EU 电源线	YAA080
CH 电源线	XLH051
英国标准电源线	XLH057
US 电源线	XLH055
中国 / 澳大利亚标准电源线	XLH069
防尘盖	LZV845
样品室	LZV848

仕様

この仕様は予告なく変更されることがあります。

性能仕様	
動作モード	透過率 (%)、吸光度、濃度
光源ランプ	ハロゲン・ランプ
波長範囲	320 ~ 1100 nm
波長精度	± 1.5 nm (波長範囲 340 ~ 900 nm)
波長再現性	± 0.1 nm
波長分解能	1 nm
波長校正	自動
波長選択	自動、測定方法による波長選択
スキャン・スピード	≥ 8 nm/s (1 nm きざみ)
スペクトラル・バンド幅	5 nm
吸光度測定範囲	± 3.0 Abs (波長範囲 340 ~ 900 nm)
測光精度	5 m Abs (0.0 ~ 0.5 Abs で) 1% (0.50 ~ 2.0 Abs で)
測光直線性	< 0.5%、2 Abs まで ≤ 1% (546 nm の中性ガラスで > 2 Abs のとき)
迷光	< 0.1% T (NaNO ₂ で 340 nm のとき)
データ・ログ	2,000 測定値 (結果、日付、時間、試料 ID、ユーザー ID)
ユーザー・プログラム	100
物理仕様および環境仕様	
幅	350 mm

性能仕様	
高さ	151 mm
奥行き	255 mm
質量	4.2 Kg
動作環境条件	10 ~ 40 ° C、相対湿度最大 80% (結露なきこと)
保管環境条件	-40 ~ 60 ° C、相対湿度最大 80% (結露なきこと)
追加のテクニカル・データ	
外部電源からの電源コネクタ	入力: 100 ~ 240 V ± 10 VAC/50 ~ 60 Hz 出力: 15 V/40 VA
インターフェイス	最長 3 m までのシールド・ケーブルを使用すること。 2x USB タイプ A 1x USB タイプ B 最長 20 m までのシールド・ケーブル (STP、FTP、S/FTP 等) を使用すること。 1x イーサネット
筐体保護等級	IP40
保護クラス	Class I
高度	2000 m
汚染度	2
過電圧カテゴリ	II
環境条件	屋内専用。
電源	外部電源

一般情報

安全に関する情報

機器を開梱、設定、あるいは操作する前に、使用説明書を熟読してください。危険および注意に関するすべての記述に注意を払ってください。これを怠ると、操作時に重傷を負ったり、または機器を損傷する可能性があります。

装置に備わっている保護を損なうことのないように、これらの取扱説明書で指定されている以外の方法で装置を使用または設置しないでください。

⚠ 危険

回避しなければ死亡または重傷につながる、潜在的または切迫した危険な状況を示します。

⚠ 警告

回避しなければ死亡または重傷につながる可能性がある、潜在的または切迫した危険な状況を示します。

⚠ 注意

軽または中程度の負傷につながる可能性がある、潜在的に危険な状況を示します。

注

回避しなければ装置の損傷につながる可能性がある状況を示します。特別な注意が必要な情報です。

本文の要点を補足する情報です。

予防のためのラベル

機器に貼り付けられているすべてのラベルおよびタグに目を通してください。この情報に留意しない場合、人身傷害や装置の損傷につながるおそれがあります。装置にシンボルが記載されている場合、取扱説明書に「危険」または「注意」事項があります。



このシンボルが装置に記されている場合、操作および/または安全に関する情報について、取扱説明書を参照してください。



このシンボルを添付して市販されている電気機器は、2005年8月12日以降、ヨーロッパ域内または公共の廃棄システムで処分することはできません。ヨーロッパの電気機器利用者は、地域および国の規制 (EU 指令 2002/96/EC) に従い、廃棄の際、古くなったり、耐用年数が過ぎた機器をメーカーに無料で返還する必要があります。リサイクル用にご返却になる場合には、機器メーカーまたは供給者にご連絡の上、使い切った機器、メーカー供給による電気付属品、および予備品を正しく処分するための返却方法をご確認ください。

RFID モジュール (一部のモデルにのみ搭載)

RFID 技術は無線アプリケーションです。無線アプリケーションは国の認可条件に制約されます。ご不明な点がある場合は、販売代理店にお問い合わせください。

DR 3900 には、情報とデータを送受信するための RFID モジュールが搭載されています。RFID モジュールの動作周波数は 13.56 MHz です。

⚠ 警告

分光光度計は危険な環境では使用しないでください。製造元とその納入業者は、リスクの高い活動での使用について、いかなる明示的または間接的な保証も行いません。

現地で施行されているガイドラインに加えて、次の安全に関する情報にも従ってください。

装置の正しい使用のための安全に関する情報:

- 病院または類似の施設において、ペースメーカーや補聴器等の医療機器に近接する場所で装置を動作させないでください。

- 燃料、高可燃性の薬品、および火薬類等の高可燃性物質の近くで装置を動作させないでください。
- 可燃性ガス、蒸気、または粉塵の近くで装置を動作させないでください。
- 装置を振動させないでください。
- 装置がテレビ、ラジオ、およびコンピューターにきわめて近接した状態では、電波干渉を起こす場合があります。
- 装置を開けないでください。
- 不適切に使用された場合は、保証が無効になります。

化学的および生物学的安全

危険

化学的 / 生物学的物質との接触における潜在的な危険性について。
 化学的試料、標準液、および試薬の取り扱いには危険を伴うことがあります。
 作業を行う前に、薬品類の正しい取り扱い方法および必要な安全手順に習熟し、関連するすべての安全性データ・シートに目を通してその内容に従ってください。

この装置の通常の操作で、有害な化学薬品や生物学的に危険な試料を扱うことがあります。

- 使用する前に、溶液の容器および安全データ・シートに記載されているすべての注意事項に目を通す必要があります。
- 使用済みの溶液は、現地の条例および法律に従って廃棄してください。
- 各作業場所における危険物の濃度と量に適した保護具を選択してください。

製品の概要

DR 3900 は、波長範囲 320 ~ 1100 nm の可視分光光度計です。装置には必要なアプリケーション・プログラムがすべて含まれており、複数の言語に対応しています。

分光光度計 DR 3900 には、以下のプログラムと動作タイプが含まれています。

- 保存プログラム (インストール済み測定手順)
- バーコード・プログラム
- ユーザー・プログラム
- お気に入り
- 単一波長
- 多波長
- 波長スキャン
- 経時変化

DR 3900 分光光度計は、直接濃度単位、吸光度、または透過パーセントでのデジタル読み取り機能を備えています。

ユーザーが作成またはプログラムした方法を選択した場合、メニューとプロンプトは測定を通じてユーザーを誘導する役割を果たします。

このメニュー・システムでは、レポートの作成、生成された校正曲線の統計的評価の作成、および装置の診断チェックのレポートも行うことができます。

設置

警告

電氣的危険および火災の危険。

付属のベンチトップ電源 LZV844 以外は使用しないでください。

本セクションに記載されている作業は、現地で施行されている安全規則を遵守した上で、資格を持つ専門家のみ行うことができます。

装置の開梱

DR 3900 分光光度計には以下の品目が同梱されています。

- DR 3900 分光光度計
- ダスト・カバー
- USB ダスト・カバー (取り付け済み)
- ベンチトップ電源 (米国、英国、
- セル・アダプター A
- ライト・シールド (DR 3900 に取り付け済み)
- オペレーター RFID タグ (一部のモデルにのみ搭載)
- 基本操作説明書 DR 3900、操作説明書 LINK2SC

詳細情報、取扱説明書およびマニュアルは、メーカーの Web サイトから入手できます。

いずれかの部品がない、または破損している場合は、ただちにメーカーまたは販売店までご連絡ください。

動作環境

装置の正常な動作のため、また長くご使用いただくために、以下の点に注意してください。

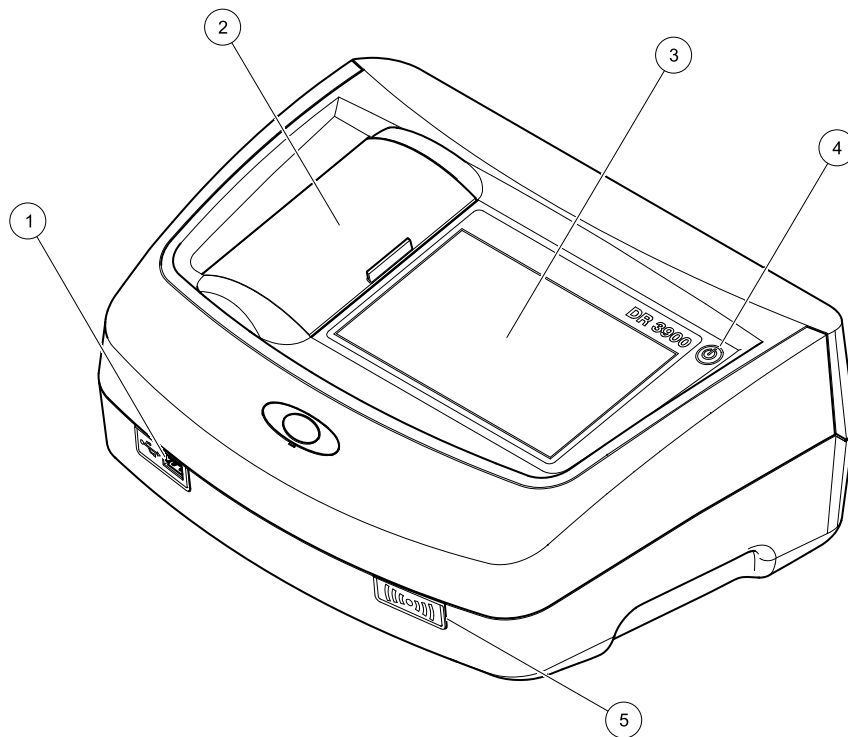
- 装置を平らな面にしっかり設置します。装置の下に何も置かないでください。
- 周辺温度は 10 ~ 40 ° C 以内。
- 相対湿度は 80% 未満 (装置に結露なきこと)。
- 電気部品の加熱を防ぐため、上部およびすべての側面に最低 15 cm の隙間を空けて、空気が循環できるようにしてください。
- 極端にほこりが多い、湿度が高い、または水に濡れる場所で、装置を操作したり、保管しないでください。
- 常に装置の表面、セル・コンパートメント、およびすべての付属品を清潔に、乾いた状態を維持するようにしてください。装置の表面または内部に跳ねたりこぼれたりした液体はただちに除去してください。

注

ヒーター、直射日光、およびその他の熱源による極端な温度の高低から装置を保護してください。

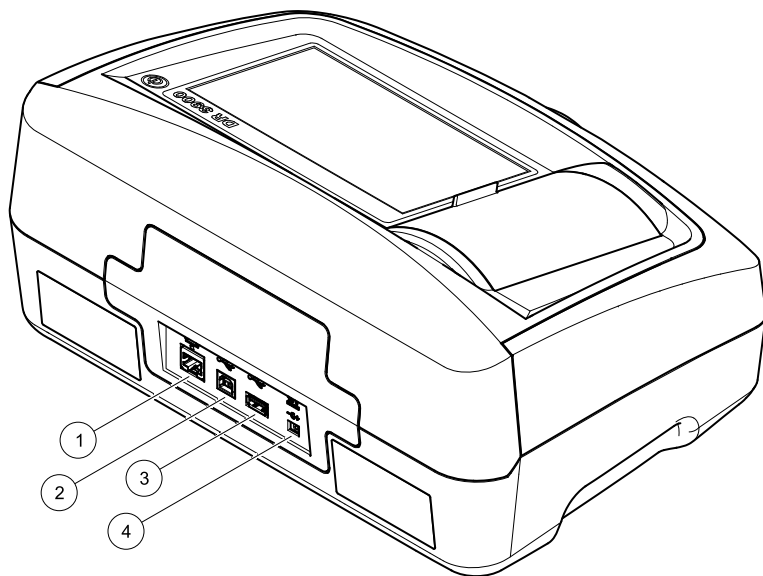
前面図と背面図

図 21 前面図



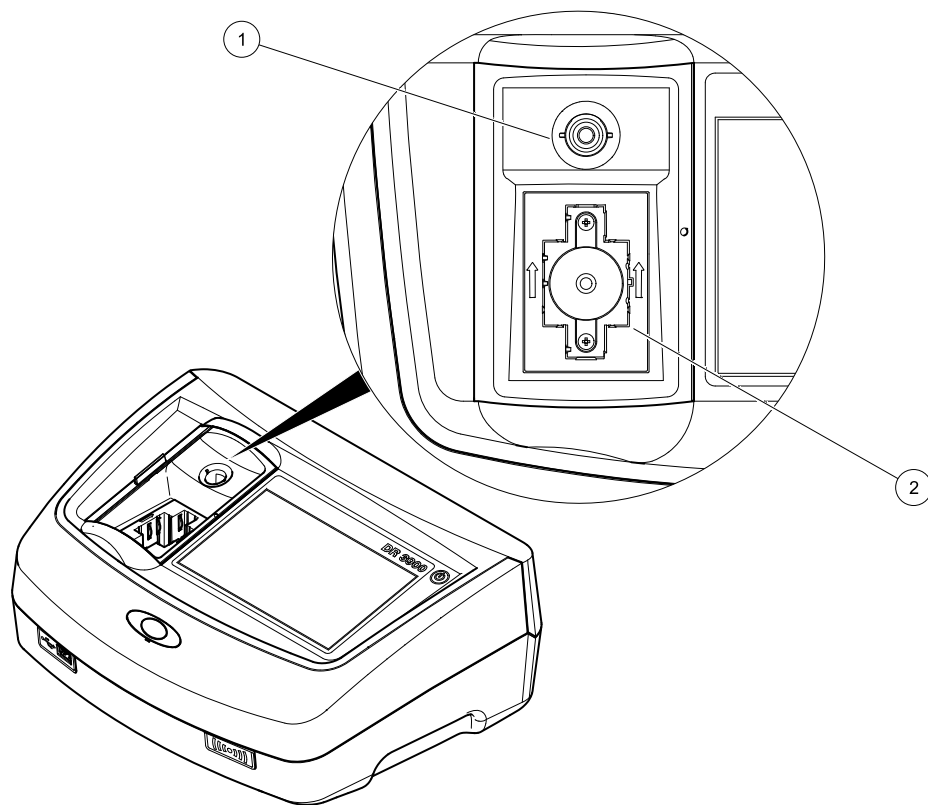
1	USB ポート・タイプ A	4	オン / オフ・スイッチ
2	セル・コンパートメント・カバー	5	RFID モジュール (一部のモデルにのみ搭載)
3	タッチ・スクリーン		

図 72 背面図



1	イーサネット・ポート	3	USB ポート・タイプ A
2	USB ポート・タイプ B	4	ベンチトップ電源接続口

図 23 セル・コンパートメント



1 丸型セル用セル・コンパートメント (1)

2 角型セル用セル・コンパートメント (2)

電源の接続

警告

電氣的危険および火災の危険。
付属のベンチトップ電源 LZV844 以外は使用しないでください。

1. 電源ケーブルをベンチトップ電源に接続します。
2. ベンチトップ電源ケーブルを装置の背面に接続します ([図 2、108 ページ](#))。
3. 電源ケーブルのプラグをコンセント (100 ~ 240 V/50 ~ 60 Hz) に差し込みます。

ディスプレイの横にある電源ボタンを押し、電源を入れます ([図 1、107 ページ](#))。

スタートアップ

装置の起動、スタートアップ・プロセス

1. 電源ケーブルをコンセントに接続します。
2. ディスプレイの横にある電源ボタンを押して装置の電源を入れます。
3. 装置が自動的に起動し、約 45 秒間のスタートアップ・プロセスが開始されます。ディスプレイに製造元のロゴが表示されます。スタートアップ・プロセスの最後に、スタートアップ・メロディーが流れます。

電源を切った直後に再度電源を入れると、装置の電子部品や機構に損傷を与える場合があります。約 20 秒経過してから再度電源を入れてください。

言語選択



DR 3900 ソフトウェアには、複数の言語オプションがあります。装置の初回起動時、スタートアップ・プロセスの後に言語選択画面が自動的に表示されます。

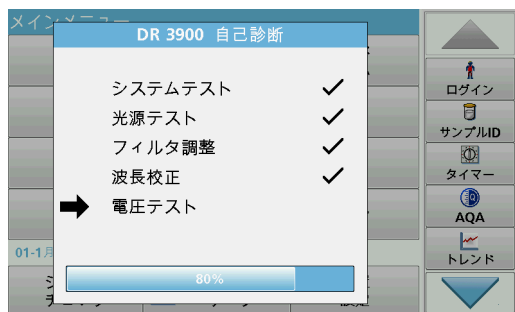
1. 必要な言語を選択します。
2. OK を押して言語選択を確定します。自己診断が自動的に開始されます。

言語設定の変更

装置は、オプションが変更されるまで、選択された言語で機能します。

1. 装置の電源を入れます。
2. スタートアップ・プロセス中、画面の任意の場所をタッチし続けると、言語選択オプションが表示されます (約 45 秒間)。
3. 必要な言語を選択します。
4. OK を押して言語選択を確定します。自己診断が自動的に開始されます。

自己診断



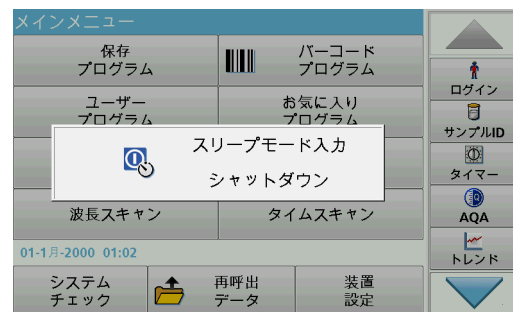
装置を起動するたびに、テスト・プログラムが開始されます。

この手順により（約2分かかります）、システム、ランプ、フィルタ調整、波長校正、および電圧がチェックされます。結果が正常だったテストはテスト名の横にチェックマークがつきます。

診断が完了すると、メインメニューが表示されます。

テスト・プログラム中にエラー・メッセージが表示された場合は、[トラブルシューティング](#)、[118ページ](#)を参照してください。

スリープ・モード



本装置はスリープ・モードにすることができます。

1. ディスプレイの横の電源ボタンを軽く押します。
「スリープ・モード」に入ることを示すメッセージが表示されます。その後、自動的にディスプレイがオフになります。
2. 再び起動するには、ディスプレイの横の電源ボタンを押します。自己診断が自動的に開始されます。自己診断の完了後、装置は使用できる状態になります。

装置の電源オフ

1. ディスプレイの横の電源ボタンを約5秒間押したままにします。

標準プログラム

タッチ・スクリーンの使用についてのヒント

スクリーン全面がタッチ操作に対応しています。オプションを選択するには、爪、指先、消しゴム、または専用のスタイラスでタップします。ボールペンの先端など、鋭利なもので画面を押しさないでください。

- 画面の破損や傷つきを防ぐため、画面上にものを置かないでください。

- ボタン、単語、またはアイコンを選択するには、これらを押します。
- スクロールバーを使用すると、長いリストを迅速に上下に移動できます。スクロールバーを長押しして上下に移動すると、リストが上下に動きます。
- リスト中のアイテムをハイライト表示するには、そのアイテムを一度押します。アイテムが正しく選択されると、テキストが反転表示になります(暗い背景に明るいテキスト)。

英数字キーパッドの使用



このディスプレイは、装置のプログラミングに必要な文字、数字および記号を入力するのに使用します。利用できないオプションは無効(グレーアウト表示)になっています。画面の左右のアイコンについては、表 1 で説明します。

中央のキーパッドは選択した入力モードによって変化します。希望の文字が画面に現れるまでキーを繰り返し押します。スペースは、YZ_キーのアンダーラインを使って入力できます。

入力をキャンセルするにはキャンセルを押し、確定するにはOKを押します。

USB キーボード (US キーボード配列のもの) またはハンドヘルド USB バーコード・スキャナーも使用できます。

表 ?1 英数字キーパッド

アイコン/キー	説明	機能
ABC/abc	アルファベット	文字入力モードの大文字と小文字を切り替えます。
# %	記号	句読点、記号および数字の下付き文字、上付き文字を入力できます。
123	数字	通常の数値を入力する場合。
CE	入力のクリア	入力をクリアします。
左矢印	戻る	現在位置の文字を消去して、カーソルを 1 文字分戻します。
右矢印	進む	カーソルを 1 文字分進めます。

メインメニュー



メインメニューから様々なモードを選択できます。以下の表は各メニューオプションを簡単に説明したものです。

画面右側にあるツールバーから、様々な機能を操作可能な状態にできません。

表 ?2 メイン メニューのオプション

オプション	機能
保存プログラム / バーコード・プログラム	保存プログラムは、HACH 薬品およびピペット・テストを使用する、あらかじめプログラムされた方法です。 さらに情報だけでなく、図に示すように、HACH プログラムを使用する分析のためのステップバイステップのプロセス指示は、メーカーのウェブサイト上で利用可能です。
ユーザー・プログラム	ユーザー・プログラムを使用すると、「オーダーメイド」の分析が可能です。 <ul style="list-style-type: none"> ユーザーは自分で開発した方法をプログラムできます。 既存の HACH およびの方法をユーザープログラムとして保存できます。
お気に入り	ユーザーの要件を満たすようにユーザーによって作成された方法 / 試験のリスト
単一波長	単一波長の測定には以下の 3 つがあります。 吸光度測定：試料が吸収した光量を吸光度単位で測定します。 透過率測定 (%)：試料を通過して検出器に到達する光の元の光に対する割合を測定します。 濃度測定：濃度係数を入力して、測定した吸光度値を濃度値に変換することができます。
多波長	多波長モードでは、吸光度 (Abs) または透過率 (%T) を最大 4 つの波長で測定し、吸光度差および吸光度関係を計算します。濃度への単純変換も可能です。
波長スキャン	波長スキャンでは、規定の波長スペクトルにおける試料からの光の吸光度がわかります。この機能により、最大吸光度を測定できる波長を割り出すことができます。スキャン中、吸光度の状態がグラフィックで表示されます。
経時変化	時間スキャンは、所定時間における 1 つの波長の吸光度または透過率 (%) を記録します。
システム チェック	「システムチェック」メニューには、光学チェック、出力チェック、ランプ履歴、装置の更新、点検時期、分析確度の設定、装置のバックアップなど、多数のオプションがあります。

表 ?2 メイン メニューのオプション

オプション	機能
測定データの呼び出し	保存データの呼び出し、フィルタリング、送信、および削除が可能です。
装置の設定	このモードでは、オペレータ ID、試料 ID、日付と時間、サウンド、PC とプリンター、パスワード、省エネモード、保存データといったユーザー固有または方法固有の設定を入力できます。

データの保存、呼び出し、送信、削除

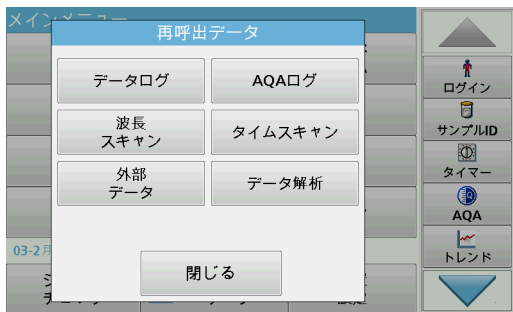
データ ログ

データ・ログでは、以下のプログラムで保存された測定値を最大 2,000 件まで保存できます。

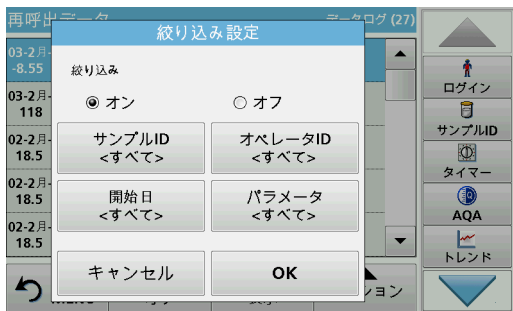
- 保存プログラム
- バーコード・プログラム
- ユーザー・プログラム
- お気に入り
- 単一波長
- 多波長

日付、時間、結果、試料 ID、オペレータ ID など、分析の完全な記録が保存されます。

データ・ログからの保存データの呼び出し



1. メインメニューで再呼出データを押します。
2. データ ログを押します。
保存データのリストが表示されます。



3. 絞り込みのオン/オフを押します。
絞り込み設定機能を使うと、特定の項目を検索できます。

4. オンをアクティブにします。これで、以下の選択基準を使用してデータを絞り込むことができます。
 - 試料 ID
 - オペレータ ID
 - 開始日
 - パラメータまたは上記 4 つの任意の組み合わせ



5. OK を押して選択を確定します。
選択した項目がリスト表示されます。
6. より詳しい情報を表示するには、詳細表示を押します。

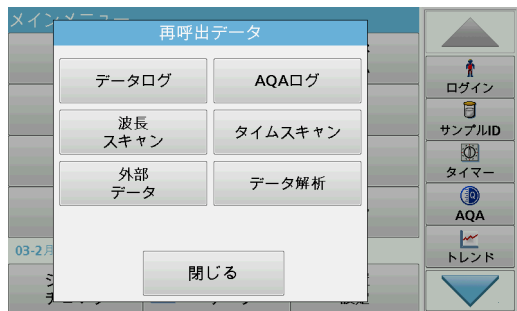
データ・ログからのデータの送信

注

ネットワークおよびアクセスポイントのセキュリティ確保は、ワイヤレス機器を使用されるお客様の責任で行われるものとします。製造元は、ネットワークセキュリティの乖離またはネットワークセキュリティの侵害によって引き起こされた間接的、特別的、必然的または偶発的な損害を含むがこれらに限定されない、いかなる損害についても責任を負わないものとします。

データは、内部データ・ログから USB 保存デバイスまたはネットワーク・ドライブ上の「DataLog」という名前のディレクトリに、XML

(Extensible Markup Language) ファイルまたは CSV (Comma Separated Value) ファイル形式で送信されます。送信されたファイルは、表計算プログラムで処理できます。ファイル名は、DL 年 - 月 - 日_時_分_秒.csv または DL 年 - 月 - 日_時_分_秒.xml の形式になります。

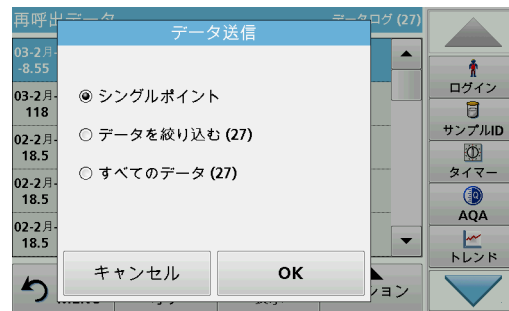


1. USB 保存デバイスを DR 3900 の USB タイプ A ポートに差し込むか、または DR 3900 をネットワーク・ドライブに接続します。
2. メインメニューでデータの呼び出しを押します。
3. 送信するデータの категория (例えば、データログ等) を選択します。

選択した測定データのリストが表示されます。



4. オプション、PC と プリンタアイコンの順に押します。



5. 送信するデータを選択します。以下のオプションを使用できます。
 - シングルポイント: 選択されている測定値のみを送信します。
 - データを絞り込む: 設定されたフィルタに該当する測定値のみを送信します。

- すべてのデータ: 選択したデータ・カテゴリー内のすべてのデータを送信します。

6. OKを押して確定します。

括弧内の数字はこの選択に割り当てられた合計データセット数を表します。

保存プログラム

保存プログラム			
10	Aluminium Alumin.	0.800 mg/L	▲
9	Aluminium ECR	0.250 mg/L	
20	Barium	100 mg/L	
30	Benzotriazol	16.0 mg/L	
280	Blei Dithizon	300 µg/L	
283	Blei LeadTrak	150 µg/L	
40	Bor	14.0 mg/L	
50	Brom	4.50 mg/L	
55	Brom AV	4.50 mg/L	
434	COD FD HR	1000 mg/L	▼

▲	ログイン
📄	サンプルID
🕒	タイマー
🔍	AQA
📈	トレンド
▼	

🔄	メイン MENU	番号で 選択	お気に入り に追加する	測定開始
---	----------	--------	-------------	------

- メインメニューで保存プログラムを押し、プログラム番号の付いた保存プログラムのアルファベット順のリストを表示します。「保存プログラム」リストが表示されます。
- 必要なテストをハイライト表示します。アルファベット順のリストを上下の矢印キーでスクロールし、プログラムを選択してハイライト表示します。または、番号で選択を押して特定のプログラム番号を検索します。OKを押して確定します。
- 測定開始を押すとプログラムが実行されます。各測定ウィンドウが表示されます。対応するデータ(波長、係数、定数)はすべてあらかじめ設定されています。

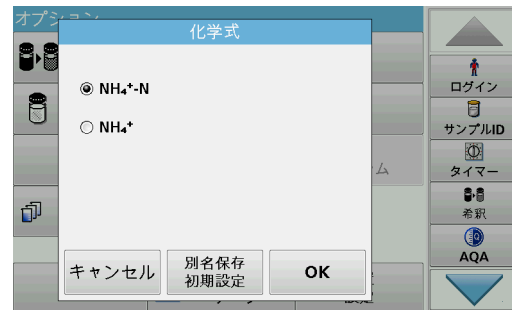
- 該当する手順説明書に記載された測定手順に関する説明に従ってください。詳細情報は、メーカーのWebサイトを参照してください。

手順の説明をディスプレイに表示するには、情報アイコンを押します。このオプションがないプログラムもあります。

バーコード・テストの実行



- ライト・シールドをセル・コンパートメント (2) に挿入します。
- 測定手順に従ってバーコード・テストを準備し、セルをセル・コンパートメント (1) に挿入します。
 - バーコードが印刷されているセルがセル・コンパートメント (1) (図 3、109 ページ) に配置されると、対応する測定プログラムがメインメニューで自動的に有効になります。
 - その他の場合は、メインメニューのバーコードプログラムを押して、セル・コンパートメント (1) にゼロ・セル (測定手順に従う) を挿入します。



測定が自動的に開始され、結果が表示されます。

他のセルでの測定および他のパラメーターを測定するには、準備したセルをセル・コンパートメントに挿入して、結果を読み取ります。

画面右側に表示されたコントロール・バーは、測定結果と測定範囲との関係を示しています。黒色のバーは、入力された希釈係数とは切り離れた単独の測定結果を示しています。

化学式の選択

多くのパラメータの化学式は、個々に選択することができます。

1. 結果表示画面で、単位 (例: mg/L) または化学式表示 (例: $\text{PO}_4^{3-}\text{-P}$) を押します。
有効な式のリストが表示されます。
2. リストから式を選択します。OK を押して確定します。
標準設定を変更する別の方法は、次のとおりです。

1. 結果表示画面で、オプション>詳細>化学式を押します。
有効な評価式のリストが表示されます。
2. 必要な化学式を選択し、OK を押して確定します。
選択された化学式は表示されますが、デフォルトになりません。
デフォルトを変更するには、[化学式のデフォルト設定の変更のセクション](#)を参照してください。

化学式のデフォルト設定の変更

1. ブランクセルまたは試料セル (測定手順に対応) をセル・コンパートメントに挿入します。
2. 結果表示画面で、オプション>詳細>化学式を押します。
3. 有効な化学式のリストが表示されます。新規のデフォルト設定を選択します。
4. デフォルトとして保存を押します。
現在の結果や詳細な全測定結果は、新たな化学式に示されます。

トラブルシューティング

表示されるエラー	定義	解決方法
ご注意ください！ ライト シールドを挿入してください。	一般に、バーコード・キューベットのを使用した測定にはライト・シールドが必要です。	ライトシールドを挿入します。 OKを押します。
バーコードラベルを読み取れません	バーコード・エラー	セルを挿入し直します。 バーコードが認識されない場合は、製造元または代理店に問い合わせてください。
装置のデータのアップロード中にエラーが発生しました。		手順を再度実行するか、製造元または代理店に問い合わせてください。
USB メモリースティックからの読み込み中にエラーが発生しました。		手順を再度実行するか、製造元または代理店に問い合わせてください。
USB メモリースティックへの書き込み中にエラーが発生しました。		手順を再度実行するか、製造元または代理店に問い合わせてください。
現在の更新ファイルを確認してください。	更新中のエラー	USB メモリー・スティックを確認します。
カスタマーサービスにご連絡ください。	更新中のエラー	
ネットワーク設定を チェックしてください。		
接続を確認してください。		
カバーを閉じてください。		カバーを閉じます。

表示されるエラー	定義	解決方法
USB メモリースティックを挿入してください。		USB メモリー・スティックを装置の USB A ポートに挿入します。
接続を確認し管理者に連絡してください。	ネットワーク設定または FTP エラー	
ブランク値校正はできません！	LCW919 ではブランク値校正はできません。	
装置の更新ファイルがありません。	更新中のエラー	USB メモリー・スティックを確認します。
装置の更新ファイルが不完全です。	更新中のエラー	もう一度更新ファイルを保存し、手順を再度実行します。
フル システムチェックを実行することを推奨します。	空気測定チェックに失敗しました	装置の電源を切り、再度電源を入れます。システム・チェックが成功しない場合は、製造元または代理店に問い合わせてください。
無効な入力です。	パスワードの誤入力	パスワードを忘れた場合： 製造元または代理店に問い合わせてください。
吸光度 > 3.5	測定された吸光度が 3.5 を超えています	試料を希釈して再度測定します。
エラー バーコードチェック 番号？ プログラム データを更新してください！	保存済みのデータと相違	データ更新
ローカル IP アドレスの呼び出し中にエラーが発生しました。	ネットワーク設定: DHCP クライアントが DHCP サーバーに接続していません	IP アドレスを再度入力します。

表示されるエラー	定義	解決方法
デフォルトゲートウェイ設定中にエラーが発生しました。	ネットワーク設定: 固定 IP アドレスのデフォルト・ゲートウェイを設定できません	再度接続を作成します。
ネットワークドライブの設定中にエラーが発生しました。	ネットワーク設定中のエラー	設定を確認します。
サブネットマスク設定中にエラーが発生しました。	ネットワーク設定: 固定 IP アドレスのサブネット・マスクを設定できません	サブネット・マスクを再度入力します。
USB メモリースティックからのコピー中にエラーが発生しました。	更新中のエラー	手順を再度実行するか、製造元または代理店にお問い合わせください。
FTP 接続中にエラーが発生しました。	FTP エラー	装置がネットワークに接続されていることを確認します。
エラー プログラムにアクセスできません。 プログラムデータ更新が必要	バーコード・テストがありません	データ更新
エラー キュベットの洗浄して下さい！	キュベットが汚れているか、キュベットに不溶性粒子があります	キュベットを洗います； 粒子を沈降させます
エラー テスト・プログラムが停止しました。 光源をチェックして下さい。 フタを閉じて下さい。 エラー [xx]	装置を起動すると、テスト・プログラムが停止します	光源をチェックして、必要に応じて交換します。 フタを閉じます。 再スタートを押します。

表示されるエラー	定義	解決方法
エラー テスト・プログラムが停止しました。 キュベットのフタを外して下さい。 フタを閉じて下さい。	装置を起動すると、テスト・プログラムが停止します	キュベット / 試料セルをコンパートメント取り出します。 OK を押します。
エラー セルフチェックが停止しました。 ハードウェア エラー。 エラー [x]	電氣的なエラー	メーカーまたは代理店に連絡して、エラー番号をお知らせください。
エラー 周辺光が多すぎます！ 装置を陰に移動させるか、 フタを閉じて下さい	装置のセンサが過剰な周辺光を検知しました。	周辺光を低減させます。(直射日光を避けます。) フタを閉じます。
このプログラムではヘルプ機能は利用できません。		
使用期限が切れています。 〈薬品を使用しますか?〉		分析が誤っている可能性があります。 新しい薬品を使用します。
評価がありません！	試験データベース / ユーザー データベースにエラーがあります	プログラミングを確認します。 製造元または代理店にお問い合わせください
バーコードなし	バーコードが認識されていません	セルを挿入直します。 バーコードが認識されない場合は、製造元または代理店にお問い合わせください。
装置バックアップがありません。		USB メモリー・スティックを確認します。

表示されるエラー	定義	解決方法
これらのパラメーターに有効なデータがありません！	データ分析不可、測定データなし	選択項目を変更します。
有効なデータが見つかりません！	データ・ログでデータの表示不可	選択項目を変更します。
ヘルプ機能はありません。		
測定データがありません。	データ分析設定は測定データがなければ指定できません。	選択項目を変更します。
コントロール範囲に達しませんでした。	データ分析下限に達しませんでした	これは警告です。設定されたコントロール範囲に達しませんでした。
コントロール範囲を超えました。	データ分析上限を超えました。	これは警告です。コントロール上限を超えました。
濃度が高過ぎます！	計算された濃度が999999より高くなっています	試料を希釈して再度測定します。
測定範囲を超えています	測定された吸光度が、試験の校正範囲を超えています	試料を希釈して再度測定します。
測定範囲を下回っています	測定された吸光度が、試験の校正範囲を下回っています	可能であれば、測定範囲の低いテストを選択するか、パス長が長いキュベットを使用します
妨害物質の可能性：	妨害物質のチェック	妨害物質が原因で分析が誤っている可能性があります。
妨害物質の可能性：	妨害物質のチェック	妨害物質が原因で分析が誤っている可能性があります。
次回の点検期限経過		製造元または代理店に連絡して、装置の点検を依頼してください。

表示されるエラー	定義	解決方法
マイナス値の結果！	計算された結果がマイナスです	試料の濃度を確認します。
ネットワークのオフ	サイドバーを経由しての楽器のホームページへのアクセスはオフネットワークがセットアップ、	オンライン接続をアクティブにします。
リモートサーバーに接続できません。	ネットワーク設定中のエラー	装置がネットワークに接続されていることを確認します。
光源が不安定です！		測定場所に直射日光が当たらないようにします。
更新するにはメモリーが不足しています	更新中のエラー	十分な空き容量のあるメモリーを選択します。
システムチェックが不正確です。	空気の測定に失敗しました	装置の電源を切り、再度電源を入れます。システム・チェックが成功しない場合は、製造元または代理店に問い合わせてください。
温度高値異常測定不可能		装置の電源を切り、数分間放置してクールダウンさせます。必要に応じて、装置を涼しい場所に移動します。
更新ファイルが不完全です。	更新中のエラー	もう一度更新ファイルを保存し、手順を再度実行します。
USBメモリースティックが接続されていません。	更新できません。	USBメモリー・スティックを確認します。
ウェブサーバーに接続できません。	インスツルメンツのホームページに到達できません。	しばらくしてから再接続します。

交換部品


説明	カタログ番号
ハロゲン・ランプ	LPZ440.99.00007
セル・アダプター A (1 cm 角型セルおよび1 インチ丸型セル用)	LZV846
セル・アダプター B (3 cm 角型セル用、中国のみ)	LZV847
ライト・シールド	LZV849
ベンチトップ電源	LZV844
電源コード EU	YAA080
電源コード CH	XLH051
電源コード UK	XLH057
電源コード US	XLH055
電源ケーブル 中国 / 豪州	XLH069
ダスト・カバー	LZV845
セル・コンパートメント	LZV848






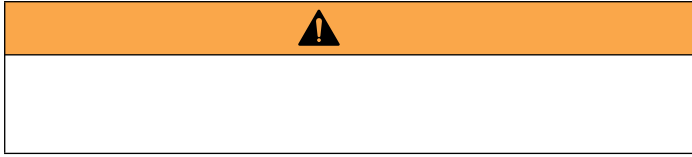


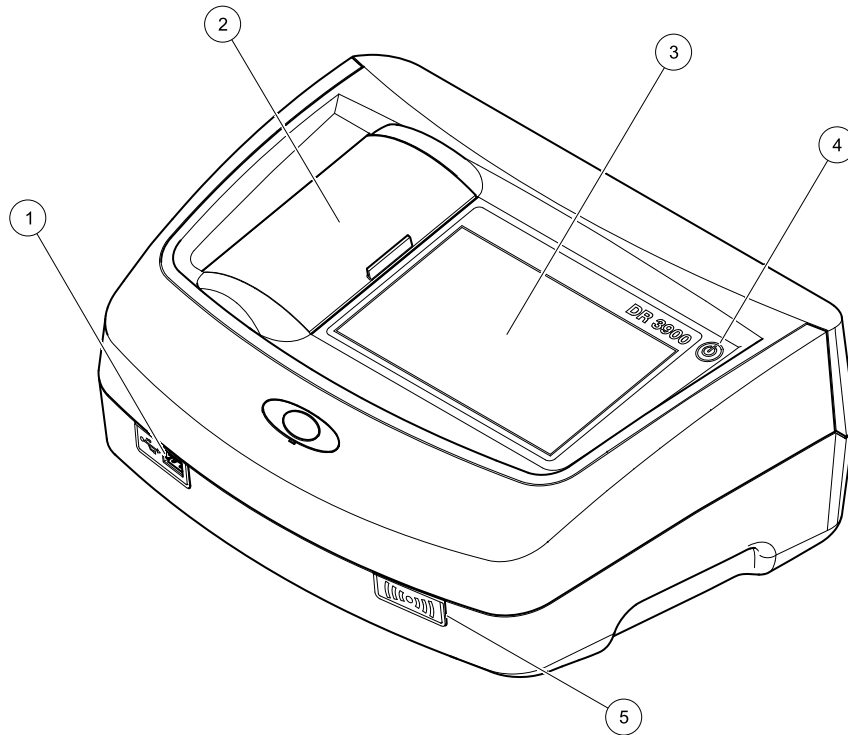


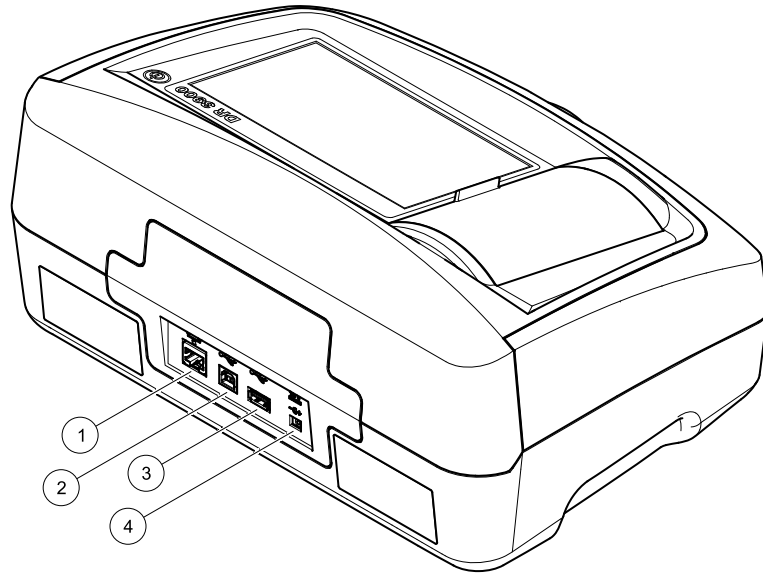
	
	



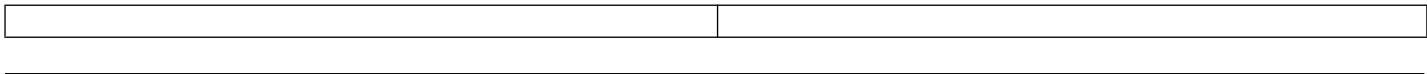
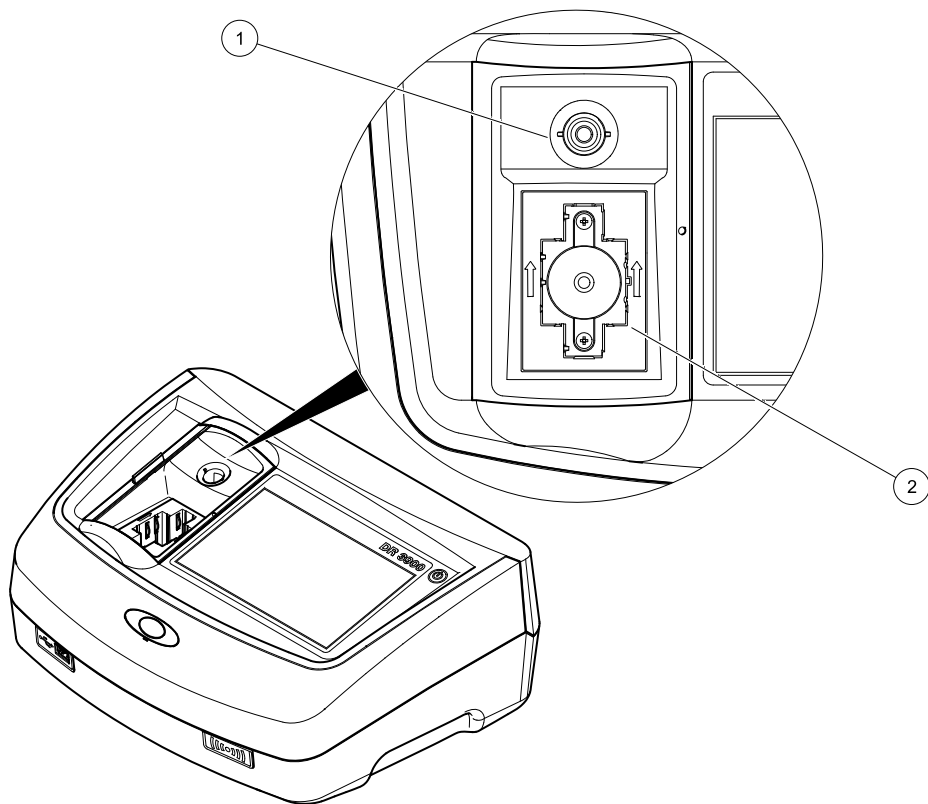


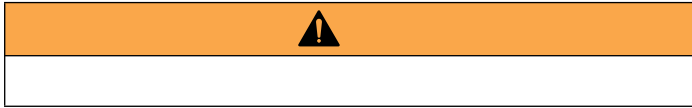


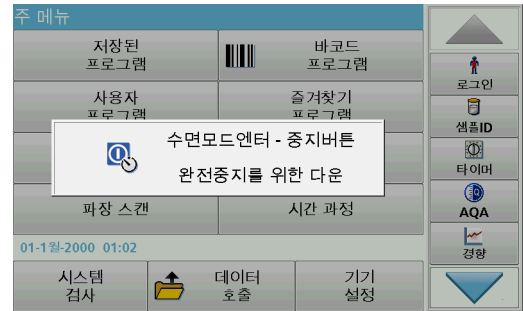
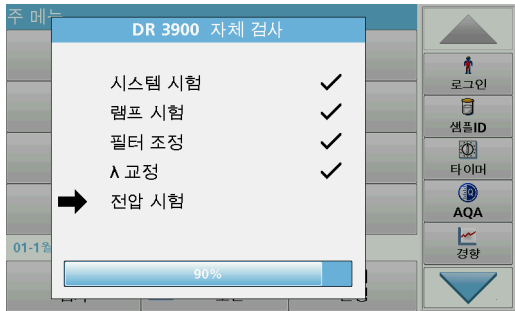




--	--

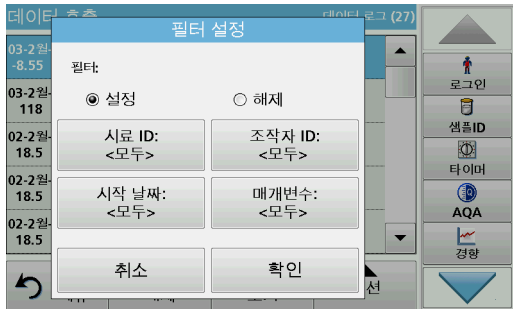
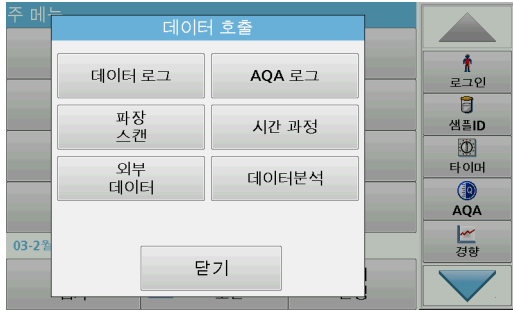


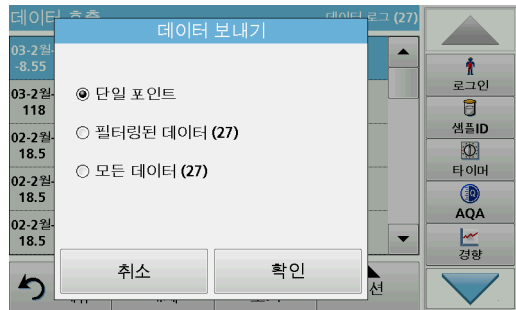
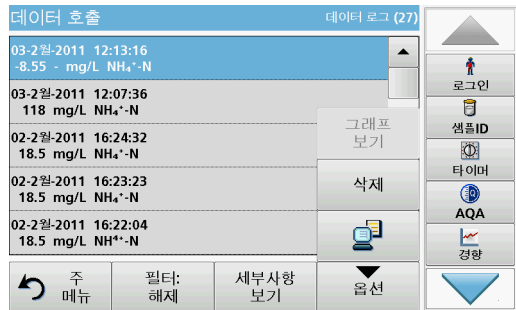
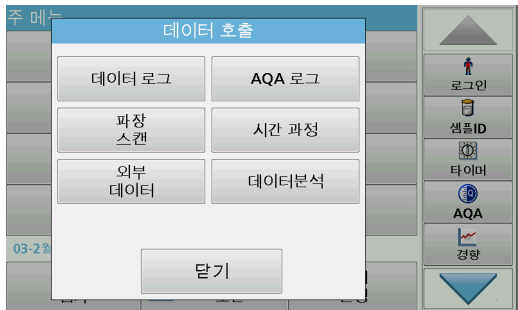












저장된 프로그램		
10	Aluminium Alumin.	0.800 mg/L
9	Aluminium ECR	0.250 mg/L
20	Barium	100 mg/L
30	Benzotriazol	16.0 mg/L
280	Blei Dithizon	300 µg/L
283	Blei LeadTrak	150 µg/L
40	Bor	14.0 mg/L
50	Brom	4.50 mg/L
55	Brom AV	4.50 mg/L
434	COD FD HR	1000 mg/L

↶ 주 메뉴
번호로 선택
즐거찾기 추가
시작


 로그인

 샘플ID

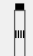
 타이머

 AQA

 경향





주 메뉴


저장된 프로그램	바코드 프로그램
사용자 프로그램	즐거찾기 프로그램
 <div style="border: 1px solid black; padding: 5px; display: inline-block;"> 바코드 판독 중입니다. 기다리십시오. </div>	
파장 스캔	시간 과정

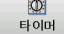
02-2월-2011 16:09


시스템 검사	데이터 로출	기기 설정
--------	--------	-------

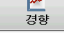



 로그인

 샘플ID

 타이머

 AQA

 경향



LCK 303 암모늄 694 nm

18.5 mg/L $\text{NH}_4^+\text{-N}$

47.0
2.00

02-2월-2011 16:09:43

주 메뉴 영점 조정 판독 옵션

로그인
샘플ID
타이머
회색
AQA

화학적 형태

$\text{NH}_4^+\text{-N}$

NH_4^+

취소 기본값으로 저장 확인

로그인
샘플ID
타이머
회색
AQA

المواصفات

إتخضع للتغيير من دون إشعار

مواصفات الأداء	
وضع التشغيل	النفاذ (النسبة المئوية) والامتصاص والتركيز
المصباح الأساسي	مصباح هالوجين
نطاق الطول الموجي	من 320 إلى 1100 نانومتر
صحة الطول الموجي	نانومتر (نطاق الطول الموجي ما بين 340 و900 نانومتر) $\pm 1,5$
إعادة إنتاج الطول الموجي	نانومتر 0,1 \pm
دقة الطول الموجي	نانومتر 1
معايرة الطول الموجي	تلقائيًا
تحديد الطول الموجي	تلقائيًا، حسب اختيار الطريقة
سرعة المسح	نانومتر في الثانية (بفارق 1 نانومتر) ≥ 8
النطاق الترددي الطيفي	نانومتر 5
نطاق القياس الضوئي	وحدة امتصاص (نطاق الطول الموجي ما بين 340 و900 نانومتر) $\pm 3,0$
صحة القياس الضوئي	مللي وحدة امتصاص عند 0,0-5,0 وحدات امتصاص 5 عند 0,50 إلى 2,0 وحدة امتصاص 1%
خطية القياس الضوئي	عند 2 وحدة امتصاص $< 0,5\%$ عند < 1 وحدة امتصاص في الزجاج الحيادي عند 546 نانومتر $\leq 1\%$
الضوء الشارد	NaNO_2 للنفاذ عند 340 نانومتر باستخدام $< 0,1\%$
سجل البيانات	قراءة (النتيجة، التاريخ، الوقت، معرّف العينة، معرّف المستخدم) 2000
برامج المستخدم	100

المواصفات المادية والبيئية	
العرض	مم (13,78 بوصة) 350

مواصفات الأداء	
الارتفاع	مم (94,5 بوصات) 151
العمق	مم (04,10 بوصات) 255
الكتلة	جم (26,9 أرطال) 4200
متطلبات التشغيل المحيطة	من 10 إلى 40 درجة مئوية (50 إلى 104 درجات فهرنهايت)، رطوبة نسبية 80% كحد أقصى (من دون تكاثف)
متطلبات التخزين المحيطة	من -40 إلى 60 درجة مئوية (من -40 إلى 140 درجة فهرنهايت)، رطوبة نسبية 80% كحد أقصى (من دون تكاثف)
البيانات الفنية الإضافية	
موصل الطاقة عبر مصدر طاقة خارجي	الإدخال: 100-240 فولت ± 10 فولت تيار متردد / 50-60 هرتز الإخراج: 15 فولت/40 فولت أمبير
الواجهات	استخدام الكابلات المغلقة فقط بطول 3 م كحد أقصى: A من النوع USB كابل 2 B من النوع USB كابل 1 S/ أو FTP أو STP، استخدام الكابلات المغلقة فقط (على سبيل المثال بطول 20 م كحد أقصى) FTP كابل 1 Ethernet
تصنيف المحتويات	IP40
فئة الحماية	I الفئة
الارتفاع	متر 2000
درجة التلوث	2
فئة الجهد الزائد	II
الظروف البيئية	استخدام في الأماكن المغلقة فقط
مصدر طاقة	مصدر طاقة خارجي

معلومات عامة

معلومات السلامة

يُرجى قراءة هذا الدليل بالكامل قبل تفريغ محتويات العبوة أو إعداد هذا الجهاز أو تشغيله. انتبه جيداً لجميع بيانات الخطر والتنبيه. فإن عدم الالتزام بذلك قد يؤدي إلى إصابة خطيرة تلحق بالمشغل أو تلف الجهاز.

للتأكد من عدم إعاقة الحماية التي يوفرها هذا الجهاز، لا تستخدم هذا الجهاز أو تثبته بأي طريقة بخلاف الطريقة الموضحة في إرشادات التشغيل.

خطر

يشير إلى حالة خطيرة محتملة أو وشيكة تؤدي إلى الوفاة أو تتسبب في حدوث إصابة خطيرة في حالة عدم تجنبها.

تحذير

يشير إلى حالة خطيرة محتملة أو وشيكة قد تؤدي إلى وفاة أو تتسبب في حدوث إصابة خطيرة في حالة عدم تجنبها.

تنبيه

يشير إلى حالة خطيرة محتملة يمكن أن تؤدي إلى إصابة طفيفة أو متوسطة.

إذار

يشير إلى حالة يمكن أن تؤدي إلى تلف الجهاز في حالة عدم تجنبها. معلومات تتطلب تأكيداً خاصاً.

معلومات تكمل نقاطاً في النص الأساسي: ملاحظة

الملصقات الوقائية

اقرأ جميع الملصقات والعلامات المرفقة بالجهاز. فقد تحدث إصابة شخصية أو يتعرض الجهاز للتلف في حالة عدم مراجعة هذه المعلومات. سيكون الرمز في حالة ملاحظته على الجهاز مصحوباً بكلمة خطر أو تحذير في إرشادات التشغيل.



ويشير هذا الرمز إذا تمت ملاحظته على الجهاز إلى دليل المستخدم لمعرفة معلومات التشغيل و/أو السلامة.



لا يمكن التخلص من الأجهزة الكهربائية التي تحمل هذا الرمز في الأنظمة الأوروبية للتخلص من النفايات المحلية أو العامة بعد 12 أغسطس عام 2005. وفقاً للوائح الأوروبية المحلية والوطنية تتعين على مستخدمي الأجهزة الكهربائية (EC/2002/96 توجيه الاتحاد الأوروبي) الأوروبيين الآن إعادة الأجهزة القديمة أو التي انتهى عمرها إلى الشركة المصنعة للتخلص منها من دون تكلفة على المستخدم. لإعادة المنتجات بغرض إعادة تدويرها، يُرجى الاتصال بالشركة المصنعة: ملاحظة للجهاز أو بمورد الجهاز للحصول على إرشادات حول كيفية إعادة الأجهزة التي انتهى عمرها والملحقات الكهربائية التي توفرها الشركة المصنعة وكل العناصر الإضافية للتخلص من الجهاز بشكل صحيح.

وحدة التعرف بترددات الراديو (لا تتوفر في كل الطرز)

، هي تطبيق راديو. تخضع تطبيقات الراديو لشروط الترخيص الوطنية. في حالة الشك RFID تقنية يرجى الاتصال بالموزع.

على وحدة التعرف بترددات الراديو لتلقي المعلومات والبيانات وإرسالها DR 3900 يحتوي جهاز وحدة التعرف بترددات الراديو بتردد يبلغ 13,56 ميجاهرتز.

تحذير

لا يمكن استخدام مقياس الطيف الضوئي في البيئات الخطيرة. وترفض الشركة المصنعة وموزعها أي ضمان صريح أو غير مباشر لاستخدام الجهاز في الأنشطة عالية المخاطر.

اتبع معلومات السلامة التالية، بالإضافة إلى كل الإرشادات المحلية المعتمدة.

معلومات السلامة لاستخدام الجهاز بشكل صحيح:

- لا تشغل الجهاز في المستشفيات أو المنشآت المماثلة لها بالقرب من المعدات الطبية، كأجهزة تنظيم ضربات القلب أو أجهزة السمع.
- لا تشغل الجهاز بالقرب من المواد سريعة الاشتعال، كالوقود والمتفجرات والمواد الكيميائية سريعة الاحتراق.
- لا تشغل الجهاز بالقرب من الغازات أو الأبخرة أو الغبار القابل للاحتراق.
- لا تهبز الجهاز أو ترجه.
- يمكن أن يتسبب الجهاز في حدوث تداخل بالقرب من أجهزة التلفزيون والراديو وأجهزة الكمبيوتر.
- لا تفتح الجهاز.
- يتسبب سوء استخدام الجهاز في إبطال الضمان.

قد ينطوي التشغيل العادي لهذا الجهاز على استخدام المواد الكيميائية الخطيرة أو العينات الضارة بيولوجيًا.

- انتبه لكل المعلومات التحذيرية المطبوعة على حاويات المحاليل الأصلية وأوراق بيانات السلامة قبل استخدامها.
- تخلص من كل المحاليل المستخدمة وفقًا للوائح والقوانين الوطنية.
- استخدم معدات الوقاية المناسبة لمعدل تركيز المواد الخطيرة وكميتها في مكان العمل المعين.

نظرة عامة حول المنتج

هو عبارة عن مقياس الطيف الضوئي للأشعة المرئية وفوق البنفسجية بطول موجي DR 3900 جهاز يتراوح بين 320 و1100 نانومتر. ويضم هذا الجهاز سلسلة كاملة من برامج التطبيق ويدعم لغات متعددة.

على البرامج وأنواع التشغيل التالية DR 3900 يحتوي مقياس الطيف الضوئي

- البرامج المخزنة (اختبارات مثبتة سابقًا)
- برامج الرموز الشريطية
- برامج المستخدم
- المفضلات
- الطول الموجي الفردي
- الطول الموجي المتعدد
- مسح الطول الموجي
- المدة الزمنية

قراءات رقمية لقياس وحدات التركيز أو وحدات الامتصاص DR 3900 يوفر مقياس الطيف الضوئي أو نسبة النفاذ بشكل مباشر.

عند تحديد طريقة مبرمجة أو صادرة عن المستخدم، ستساعد القوائم والمطالبات على توجيه المستخدم طوال مدة الاختبار.

يستطيع نظام القائمة أيضًا إصدار التقارير والتقييمات الإحصائية لمنحنيات المعايرة والصادرة وتقديم تقارير عن الفحوصات التشخيصية الخاصة بالجهاز.

الشهادة (وحدة التعرف بترددات الراديو المضمنة)

YUH-QR15HL / YUH-Q152 رقم تعريف لجنة الاتصالات الفيدرالية

9278 A-QR15HL / 9278-Q152 رقم ترخيص وزارة الصناعة الكندية:

المعفاة من RSS يتوافق هذا الجهاز مع الجزء 15 من قواعد لجنة الاتصالات الفيدرالية ومعايير ترخيص وزارة الصناعة الكندية.

تخضع عملية التشغيل للشروطين التاليين:

1. قد لا يتسبب هذا الجهاز في حدوث تداخل
2. ويستقبل هذا الجهاز أي عملية تداخل، بما في ذلك عمليات التداخل التي قد تجعل الجهاز يعمل بشكل غير طبيعي.

قد يؤدي إجراء تغييرات أو تعديلات على هذا الجهاز من دون الحصول على الموافقة الصريحة من الجهة المسؤولة عن التوافق إلى إبطال حق المستخدم في تشغيل الجهاز.

خضع هذا الجهاز للاختبارات وثبت أنه يمثل لقيود الأجهزة الرقمية من الفئة "A" بموجب الجزء 15 من قواعد لجنة الاتصالات الفيدرالية. وتهدف هذه القيود إلى توفير حماية معقولة من أي تداخل ضار عند تشغيل الجهاز في بيئة تجارية. ويؤكد هذا الجهاز طاقة من الترددات اللاسلكية ويستخدمها ومن الممكن أن يشعها كذلك، وإذا لم يتم تركيبه واستخدامه وفقًا لدليل الإرشادات، فقد يتسبب في حدوث تداخل ضار مع الاتصالات اللاسلكية. وقد يؤدي تشغيل هذا الجهاز في منطقة سكنية إلى حدوث تداخل ضار، وفي هذه الحالة يتعين على المستخدم تصحيح هذا التداخل على نفقته الخاصة. ويمكن استخدام الأساليب التالية للحد من مشكلات التداخل:

1. افصل الجهاز عن مصدر الطاقة للتأكد من أنه مصدر التداخل أو أن هناك مصدرًا آخر للتداخل.
2. إذا كان الجهاز متصلًا بالمخرج ذاته الذي يتصل به الجهاز الذي يتعرض للتداخل، فاحرص على توصيل الجهاز بمخرج آخر.
3. انقل الجهاز بعيدًا عن الجهاز الذي يستقبل التداخل.
4. عدّل موضع هوائي الاستقبال الخاص بالجهاز الذي يستقبل التداخل.
5. جرب مجموعات مما تم ذكره أعلاه.

السلامة الكيميائية والبيولوجية



خطر

خطر محتمل في حالة ملامسة المواد الكيميائية/البيولوجية.
قد يشكل التعامل مع العينات والمعايير والمواد التفاعلية الكيميائية خطرًا.
كن ملزمًا بإجراءات السلامة الضرورية والتعامل الصحيح مع المواد الكيميائية قبل الاستخدام، واقرأ جميع أوراق بيانات السلامة ذات الصلة واتبعها.

التركيب

تحذير

مخاطر التعرض لصدمة كهربائية أو نشوب حريق
LZV844. استخدم فقط مصدر الطاقة المناسب المرفق
يمكن للخبراء المؤهلين فقط إجراء المهام المنكورة في هذا القسم من
الدليل مع الالتزام بكل لوائح السلامة المعمول بها محليًا.

إخراج الجهاز من العيو

على العناصر التالية DR 3900 تحتوي على مقياس الطيف الضوئي

- مقياس الطيف الضوئي DR 3900
- غطاء واق من الغبار
- واق من الغبار يمكن تركيبه قياسيًا USB غطاء
- مصدر طاقة مناسب مزود بسلك طاقة معتمد في الولايات المتحدة الأمريكية وبريطانيا العظمى
- محوّل خلوي من النوع A
- DR 3900 حاجب للضوء يمكن تركيبه قياسيًا في جهاز
- علامة وحدة التعرف بترددات الراديو الخاصة بالمشغل (لا تتوفر في كل الطرز)
- إرشادات التشغيل الخاصة بجهاز DR 3900، إرشادات التشغيل الأساسية الخاصة بجهاز LINK2SC

يتوفر المزيد من المعلومات وأدلة المستخدمين والوثائق التفصيلية على الموقع الإلكتروني الخاص
بالشركة المصنعة

في حالة فقدان أي عناصر أو تلفها، يُرجى الاتصال بالشركة المصنعة أو مندوب المبيعات على: **ملاحظة**
الفور.

بيئة التشغيل

انتبه إلى النقاط التالية حتى يعمل الجهاز بشكل مثالي لأطول فترة ممكنة

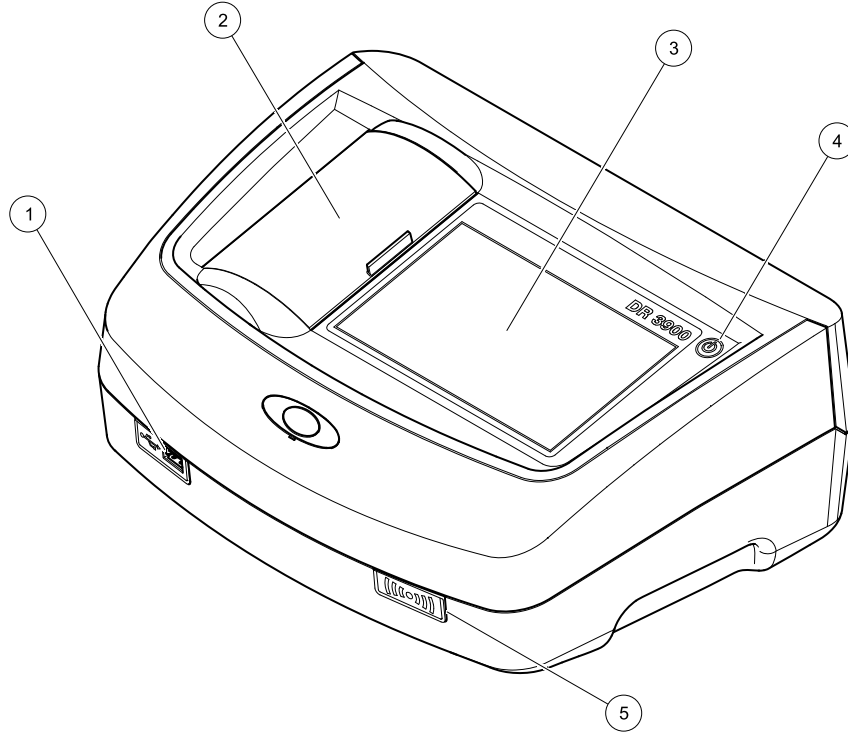
- ضع الجهاز بإحكام على سطح مستو. لا تُدخّل أي أجسام تحت الجهاز
- يجب أن تتراوح درجة الحرارة المحيطة بين 10 و40 درجة مئوية (50 و104 درجات (فهرنهايت).
- يجب أن تكون الرطوبة النسبية أقل من 80% ولا تتكاثف الرطوبة على الجهاز
- اترك فراغًا لا يقل عن 15 سم من الجهة العلوية والجوانب لتوزيع الهواء وتجنب ارتفاع القطع الكهربائية.
- لا تشغّل الجهاز أو تخزّنه في أماكن متربة أو رطبة أو مبللة للغاية
- حافظ على مستوى النظافة والجفاف لسطح الجهاز وحجرة الخلية وكل الملحقات في كل الأوقات. أزل أي بقع أو مواد منسكبة على الجهاز أو بداخله.

إنذار

احم الجهاز من درجات الحرارة الشديدة الناتجة عن أجهزة التسخين وأشعة الشمس المباشرة ومصادر الحرارة الأخرى.

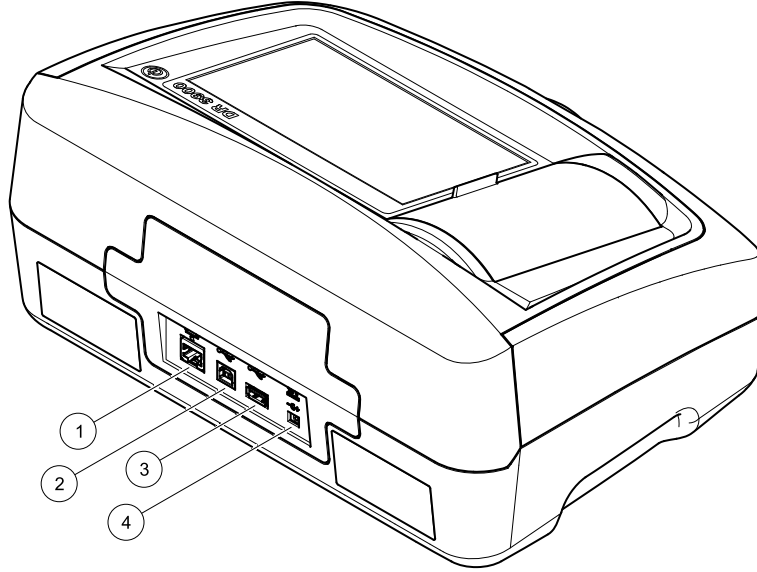
الجهة الأمامية والجهة الخلفية

الجهة الأمامية الشكل 1



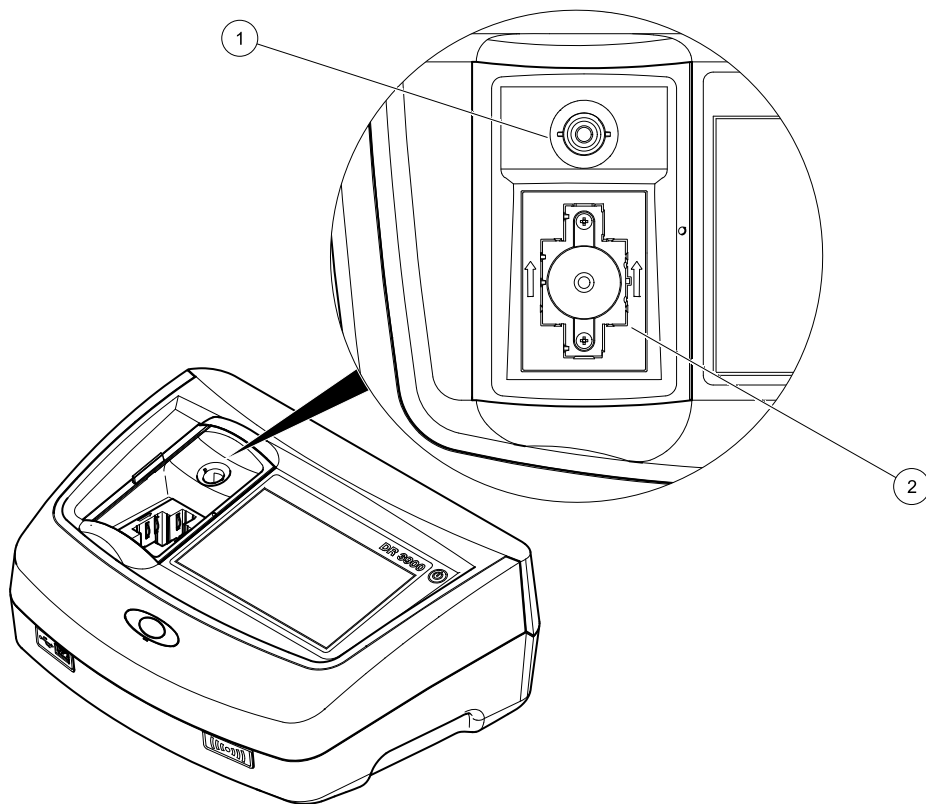
1	منفذ USB من النوع A	4	مفتاح التشغيل/إيقاف التشغيل
2	غطاء حجرة الخلية	5	وحدة التعرف بترددات الراديو (لا تتوفر في كل الطرز)
3	شاشة تعمل باللمس		

الجهة الخلفية الشكل 2



1	منفذ Ethernet	3	من النوع USB منفذ A
2	من النوع USB منفذ B	4	وصلة مصدر الطاقة المناسب

حجرات الخلايا الشكل 3



1 حجرة الخلايا الدائرية

2 حجرة الخلايا المستطيلة

تحذير

مخاطر التعرض لصدمة كهربائية أو نشوب حريق.
LZV844. استخدم فقط مصدر الطاقة المناسب المرفق

1. وصل سلك الطاقة بمصدر الطاقة المناسب.
2. (الشكل 2، الصفحة 148) وصل كابل مصدر الطاقة المناسب بالجهة الخلفية من الجهاز.
3. /- أدخل قابس كابل الطاقة في مقبس رئيسي (100 إلى 240 فولت (إلى 60 هرتز 50

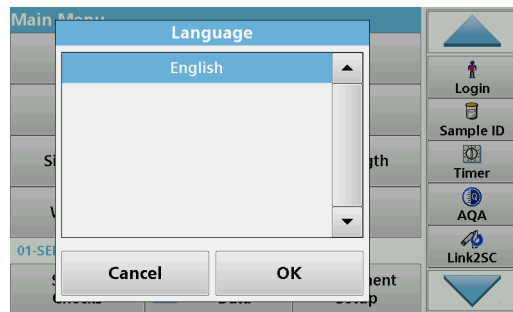
(الشكل 1، الصفحة 147) شغل زر الطاقة بالقرب من الشاشة لتشغيل مصدر الطاقة

بدء التشغيل

تشغيل الجهاز، عملية بدء التشغيل

1. وصل كابل الطاقة بالمقبس الرئيسي.
2. شغل الجهاز باستخدام زر الطاقة بالقرب من الشاشة.
3. سيعمل الجهاز تلقائيًا وستستغرق عملية بدء التشغيل 45 ثانية تقريبًا. وسيظهر شعار الشركة المصنعة على الشاشة. وفي نهاية عملية بدء التشغيل، ستسمع نغمة بدء التشغيل.

انتظر **20 ثانية** تقريبًا قبل إعادة التشغيل مرة أخرى حتى لا تتلف المواد الإلكترونية: **ملاحظة** والميكانيكية للجهاز.



خيارات لغات متعددة. عند تشغيل الجهاز للمرة الأولى، ستظهر شاشة DR 3900 يضم برنامج جهاز تحديد اللغة تلقائيًا بعد انتهاء عملية بدء التشغيل.

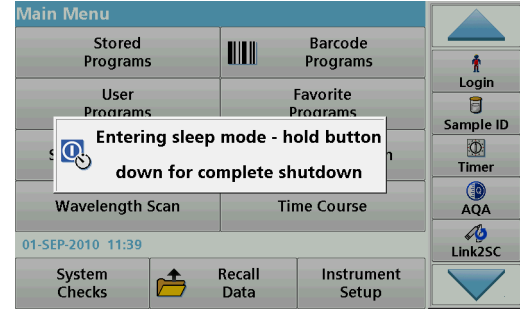
1. حدد اللغة المطلوبة.
2. (موافق) للتأكيد على خيار اللغة. وسيبدأ بعد ذلك الفحص الذاتي تلقائيًا **OK** اضغط على

تغيير إعداد اللغة

يعمل الجهاز باللغة المحددة حتى يتم تغيير الخيار.

1. شغل الجهاز.
2. خلال عملية بدء التشغيل، المس باستمرار أي نقطة على الشاشة حتى يظهر خيار تحديد اللغة (ثانية تقريبًا 45).
3. حدد اللغة المطلوبة.
4. (موافق) للتأكيد على خيار اللغة. وسيبدأ بعد ذلك الفحص الذاتي تلقائيًا **OK** اضغط على

وضع السكون



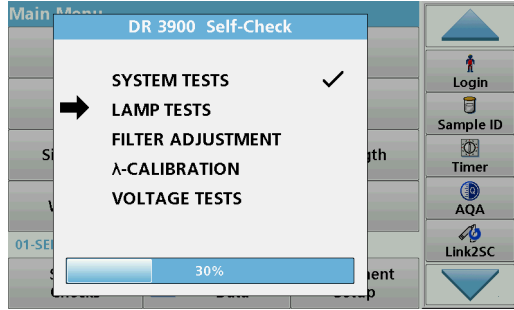
يمكن تعيين الجهاز على وضع السكون.

1. اضغط لوقت قصير على زر الطاقة بالقرب من الشاشة. ستظهر رسالة "وضع السكون". وسيتم إيقاف تشغيل الشاشة تلقائيًا.
2. للتشغيل، اضغط لوقت قصير على زر الطاقة بالقرب من الشاشة. ستبدأ عملية الفحص الذاتي تلقائيًا. وسيصبح بعد ذلك الجهاز جاهزًا للاستخدام.

إيقاف تشغيل الجهاز

1. اضغط على زر الطاقة بالقرب من الشاشة لمدة 5 ثوان تقريبًا.

الفحص الذاتي



يبدأ برنامج اختبار في كل مرة يتم فيها تشغيل الجهاز.

ويقوم هذا الإجراء الذي يستغرق دقيقتين تقريبًا بفحص النظام والمصباح وتعديل التنقية ومعايرة الطول الموجي والجهد الكهربائي. وتوضع علامة على كل اختبار يعمل بشكل صحيح وفقًا لذلك.

يتم عرض القائمة الرئيسية عند اكتمال التشخيصات.

في حالة ظهور رسائل الخطأ خلال الاختبار، يُرجى مراجعة **استكشاف الأخطاء وإصلاحها: ملاحظة الصفحة 157**.

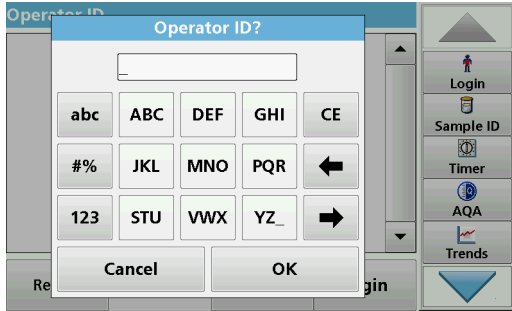
البرامج القياسية

نصائح حول استخدام الشاشة التي تعمل باللمس

تعمل الشاشة بكاملها باللمس. لتحديد خيار ما، اضغط عليه بظفرك أو إصبعك أو ممحاة أو قلم خاص. لا تضغط على الشاشة باستخدام شيء حاد كراس قلم الحبر الجاف.

- لا تضع أي شيء على الشاشة لتجنب تلف الشاشة أو خدشها.
- اضغط على الأزرار أو الكلمات أو العناصر لتحديدها.
- استخدم أشرطة التمرير للتحرك لأعلى ولأسفل عبر القوائم الطويلة بسرعة شديدة. اضغط باستمرار على شريط التمرير، ثم تحرك لأعلى أو لأسفل للتنقل عبر القائمة.
- ميّز عنصرًا في القائمة من خلال الضغط عليه مرة واحدة. بعد تحديد العنصر بنجاح، سيتم عرضه كنص معكوس (نص فاتح اللون على خلفية داكنة).

استخدام لوحة المفاتيح الأبعدية الرقمية



تستخدم هذه الشاشة لإدخال الأحرف والأرقام والرموز اللازمة لبرمجة الجهاز. وقد تم تعطيل الخيارات غير المتوفرة (إطفاؤها باللون الرمادي). أما العناصر المتوفرة على يمين الشاشة وبسارها، فسيتم الجدول 1 وصفها في

تتغير لوحة المفاتيح المركزية لتعكس وضع الدخول الذي تم اختياره. اضغط مع الاستمرار على أحد الأزرار حتى يظهر الحرف الذي تريده على الشاشة. ويمكن إدخال مسافة من خلال استخدام العارضة YZ_ الموجودة على المفتاح

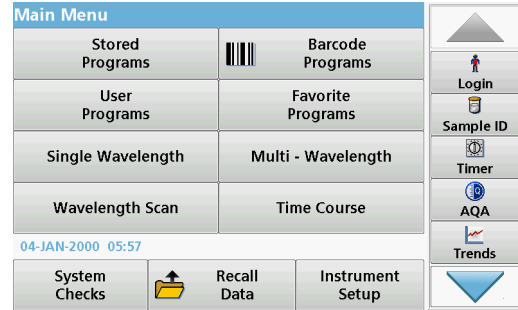
(موافق) للتأكيد على إدخال ما **OK (إلغاء)** لإلغاء إدخال ما، أو اضغط على **Cancel** اضغط على

بتصميم لوحة المفاتيح المُعتمدة في الولايات المتحدة) USB يمكن أيضًا استخدام لوحة مفاتيح: ملاحظة ومحمول باليد USB (الأمريكية) أو مسطح رموز شريطية ضوئي.

لوحة مفاتيح أبعدية رقمية الجدول 1

الرمز/المفتاح	الوصف	الوظيفة
ABC/abc	أبجدي	لتبديل وضع إدخال الأحرف ما بين الأحرف الكبيرة والأحرف الصغيرة
# %	الرموز	لإدخال علامات الترقيم والرموز والأرقام التحتوية والفوقية.
123	الأرقام	لإدخال الأرقام العادية.
CE	مسح الإدخال	لمسح الإدخال.
السهم الأيسر	رجوع	لحذف الحرف الحالي والرجوع إلى الحالة السابقة.
السهم الأيمن	التالي	للانتقال إلى المرحلة التالية في الإدخال.

القائمة الرئيسية



يمكن تحديد أوضاع متنوعة من القائمة الرئيسية. يصف الجدول التالي باختصار كلا من الخيارات المتوفرة في القائمة

يتوفر شريط الأدوات على الجهة اليمنى من الشاشة. اضغط لتتفعيل مختلف الوظائف

خيارات القائمة الرئيسية الجدول 2

الخيار	الوظيفة
البرامج المخزنة/برامج الرموز الشريطية	البرامج المخزنة عبارة عن طرق مبرمجة سابقاً تستخدم المواد الكيميائية واختبارات HACH القارورة من HACH. يتوفر المزيد من المعلومات، بالإضافة إلى إرشادات تفصيلية وموضحة في صور حول على الموقع الإلكتروني التابع للشركة، HACH، إجراء التحليلات باستخدام برامج المصنعة.
برامج المستخدم	: "توفر برامج المستخدم" تحليلات حسب الطلب <ul style="list-style-type: none"> يمكن للمستخدمين برمجة الطرق التي طُوروا بها بأنفسهم الحالية كبرامج مخصصة للمستخدمين HACH يمكن تخزين طرق
المفضلات	قائمة بالطرق/الاختبارات التي أنشأها المستخدم لتلبية متطلباته الخاصة
الطول الموجي الفردي	تتضمن قراءات الطول الموجي الفردي ما يلي: قراءات الامتصاص: لقياس الضوء الذي امتصته العينة بوحدات الامتصاص قراءات النفاذ (النسبة المئوية): لقياس النسبة المئوية للضوء الأصلي الذي يمر عبر العينة وصولاً إلى الكاشف. قراءات التركيز: يمكن إدخال عامل التركيز لتحويل قيم الامتصاص المقاسة إلى قيم التركيز.
الطول الموجي المتعدد	أو (Abs) في وضع الطول الموجي المتعدد، يتم قياس الامتصاص بعد أربعة أطوال موجية كحد أقصى، كما يتم احتساب فروقات (%T) نسبة النفاذ الامتصاص وعلاقتها. ويمكن أيضاً إجراء تحويلات التركيز البسيطة.
مسح الطول الموجي	يُظهر مسح الطول الموجي الضوئي كيفية امتصاص الضوء من العينة في طيف محدد للطول الموجي. ويمكن استخدام هذه الوظيفة لتحديد الطول الموجي الذي يمكن عنده قياس قيمة الامتصاص القصوى. يظهر سلوك الامتصاص على شكل رسم بياني خلال عملية المسح الضوئي.
المدة الزمنية	يسجل المسح الزمني وحدات الامتصاص أو نسبة النفاذ في الطول الموجي خلال فترة زمنية محددة.
فحوصات النظام	توفر قائمة "فحص النظام" مجموعة من الخيارات منها الفحوصات البصرية وفحوصات الإخراج وسجل المصباح وتحديث الجهاز ووقت الخدمة والإعدادات لضمان الجودة التحليلية والنسخ الاحتياطي في الجهاز.
استعادة بيانات القياس	يمكن استعادة البيانات المخزنة وتصنيفها وإرسالها وحذفها.
إعداد الجهاز	في هذا الوضع، يمكن إدخال الإعدادات الخاصة بالمستخدم أو بالطريقة: معرف المشغل، معرف العينة، التاريخ والوقت، الصوت، الكمبيوتر الشخصي والطابعة، كلمة المرور، وضع توفير الطاقة، البيانات المخزنة

حفظ البيانات واستعادتها وإرسالها وحذفها

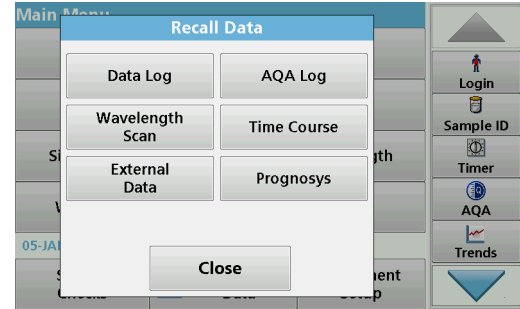
سجل البيانات

يمكن لسجل البيانات تخزين ما يصل إلى 2000 قراءة محفوظة بواسطة البرامج التالية:

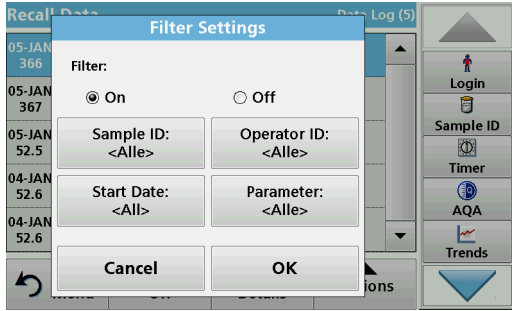
- البرامج المخزنة
- وبرامج الرموز الشريطية
- وبرامج المستخدم
- والمفضلات
- والطول الموجي الفردي
- والطول الموجي المتعدد.

يتم تخزين سجل كامل للتحليل، بما في ذلك التاريخ والوقت والنتائج ومعرف العينة ومعرف المشغل.

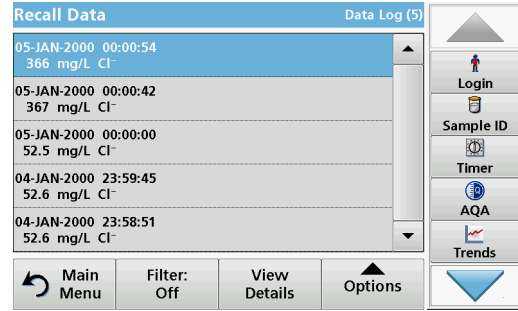
استعادة البيانات المخزنة من سجل البيانات



1. (استعادة البيانات) في القائمة الرئيسية **Recall Data** اضغط على
 2. (سجل البيانات) **Data Log** اضغط على
- سيتم عرض قائمة بالبيانات المخزنة



3. (تصفية: تشغيل/إيقاف تشغيل) **Filter: On/Off** اضغط على **Filter Settings** لتستخدم وظيفة **Filter Settings** للبحث عن عناصر محددة
4. (التشغيل). يُمكن الآن تصفية البيانات باستخدام معايير التحديد التالية **On** تنتظر زر
 - معرف العينة
 - معرف المشغل
 - تاريخ البدء
 - المعلمة
 أو أي مجموعة من الأربعة

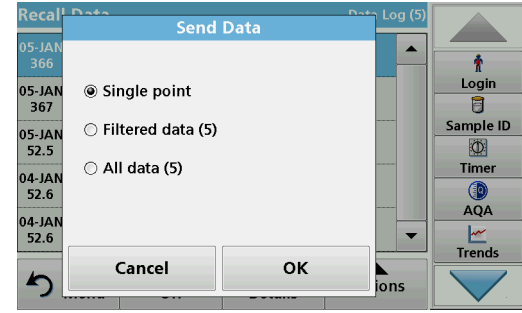
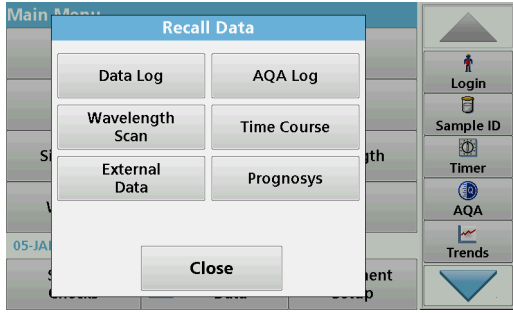


5. (موافق) للتأكيد على الخيار **OK** اضغط على **OK**
 6. (عرض التفاصيل) للحصول على المزيد من المعلومات **View Details** اضغط على **View Details**
- إرسال البيانات من سجل البيانات

إنذار

تقع مسؤولية أمان نقطة الدخول والشبكة على العميل الذي يستخدم الجهاز اللاسلكي. الشركة المصنعة غير مسؤولة عن أي أضرار بما في ذلك على سبيل المثال لا الحصر الأضرار غير المباشرة أو الخاصة أو التبعية أو العرضية الناتجة عن ثغرة في أمان الشبكة أو اختراقها.

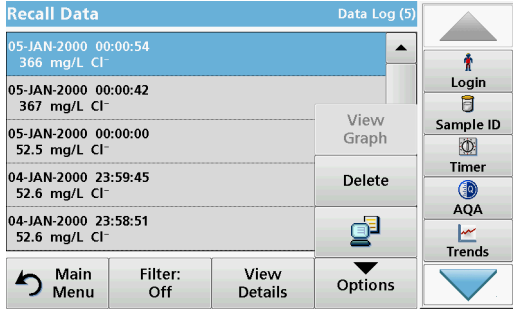
XML (Extensible Markup Language) يتم إرسال البيانات من سجل البيانات الداخلي كملف على جهاز DataLog إلى الدليل باسم (Comma Separated Value) CSV أو كملف عالي السعة أو على محرك أقراص الشبكة. ويمكن بعد ذلك معالجة الملف باستخدام USB تخزين على السعة أو على محرك أقراص الشبكة. ويمكن بعد ذلك معالجة الملف باستخدام برنامج DLYear-Month-Day_Hour_Minute_Second.csv أو DLYear-Month-Day_Hour_Minute_Second.xml.



1. أو وصل جهاز DR 3900 في جهاز A من النوع USB بمنفذ USB وصل جهاز التخزين بمحرك أقراص الشبكة DR 3900.
2. (استعادة البيانات) في القائمة الرئيسية **Recall Data** اضغط على
3. (سجل البيانات) مثل **Data Log**، حدد فئة البيانات التي تريد نزلها. سيتم عرض قائمة ببيانات القياس المحددة.

5. حدد البيانات التي تريد إرسالها. تتوفر الخيارات التالية:
 - **(النقطة الأحادية):** لإرسال القراءة المحددة فقط **Single point**
 - **(البيانات المصفاة):** لإرسال القراءات التي تتوافق مع عوامل التصفية المحددة فقط **Filtered data (5)**
 - **(كل البيانات):** لإرسال كل البيانات المتوفرة ضمن فئة البيانات المحددة **All data (5)**
6. (موافق) للتأكيد **OK** اضغط على.

يمثل الرقم بين قوسين العدد الإجمالي لمجموعات البيانات المعينة لهذا الخيار: **ملاحظة**



4. الكمبيوتر الشخصي **PC & Printer** (الخيارات) ثم على رمز **Options** اضغط على (والطابعة).

البرامج المخزنة

Stored Programs		
10	Aluminium Alumin.	0.800 mg/L
9	Aluminium ECR	0.250 mg/L
20	Barium	100 mg/L
30	Benzotriazol	16.0 mg/L
280	Blei Dithizon	300 µg/L
283	Blei LeadTrak	150 µg/L
40	Bor	14.0 mg/L
50	Brom	4.50 mg/L
55	Brom AV	4.50 mg/L
434	COD FD HR	1000 mg/L

Main Menu
Select by Number
Add to Favorites
Start

▲
⬆

1. (البرامج المخزنة) في القائمة الرئيسية لعرض قائمة **Stored Programs** اضغط على أبجدية بالبرامج المخزنة مع أرقام البرامج "ستظهر قائمة البرامج المخزنة".
2. ميّز الاختبار المطلوب.
حدد البرنامج حسب الاسم أو مرر القائمة باستخدام مفاتيح الأسهم. ميّز البرنامج أو **ملاحظة** **التحديد حسب الرقم** للبحث عن رقم برنامج معين. اضغط **Select by No.** اضغط على **موافق** للتأكيد **OK** على.
3. **(بدء التشغيل)** لتشغيل البرنامج. وسيتم عرض نافذة القياس المعنية **Start** اضغط على كل البيانات المطابقة (الطول الموجي والعوامل والثوابت) معينة سابقًا **ملاحظة**.
4. اتبع الإرشادات الخاصة بالإجراءات الكيميائية في دليل الإجراءات ذي الصلة. يتوفر المزيد من المعلومات عبر الموقع الإلكتروني التابع للشركة المصنعة.
لعرض الإرشادات الإجرائية على الشاشة، اضغط على رمز المعلومات. لا تضم كل **ملاحظة** البرامج هذا الخيار.

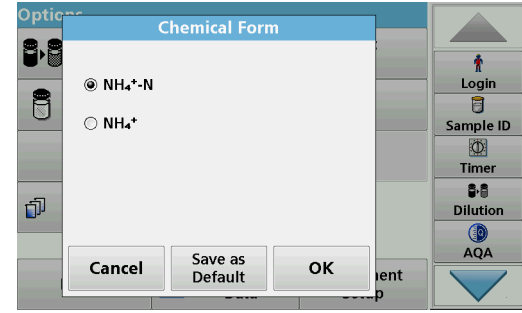
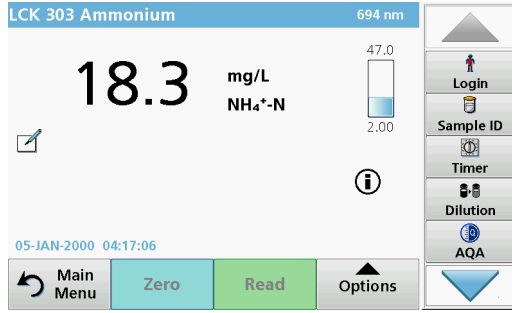
إكمال اختبار الرمز الشريطي

Main Menu	
Stored Programs	Barcode Programs
User Programs	Favorite Programs
<div style="border: 1px solid black; padding: 5px; margin: 0 auto; width: 80%;"> <p style="text-align: center;">Reading barcode.</p> <p style="text-align: center;">Please wait.</p> </div>	
Wavelength Scan	Time Course
05-JAN-2000 04:16	
System Checks	Recall Data
	Instrument Setup

▲
⬆

▲
⬆

1. (2) أدخل حاجب الضوء في حجرة الخلية.
2. جهّز اختبار الرمز الشريطي وفقًا لمواصفات العملية، ثم أضف الخلية إلى الحجرة المخصصة لها (1).
 - يتم تنشيط (الشكل 3، الصفحة 149) (1) عندما توضع خلية مشققة في حجرة الخلية برنامج القراءة المطابق تلقائيًا في القائمة الرئيسية
 - (برامج الرموز الشريطية) في القائمة **Barcode Programs** وإلا، فاضغط على (1) الرئيسية وأدخل خلية صفيرية (حسب مواصفات العملية) في حجرة الخلية



ستبدأ القراءة تلقائياً ويتم عرض النتائج.

لتقييم اختبارات الخلايا والمعلومات الأخرى، أضف الخلية المعدة إلى حجرة الخلايا وقرأ النتيجة.

يُظهر شريط التحكم المعروض على يمين الشاشة علاقة نتيجة القراءة بنطاق القياس. أما **ملاحظة** الشريط الأسود، فيُظهر النتيجة المقاسة بشكل مستقل عن أي عامل تخفيف تم إدخاله.

تحديد صيغة التقييم الكيميائية

يمكن تحديد صيغة نتيجة الاختبار الكيميائية لعدد من المعلومات بشكل فردي.

1. في شاشة النتائج، اضغط على الوحدة (على سبيل المثال، ملجم/لتر) أو على التمثيل الكيميائي (على سبيل المثال) لصيغة التقييم (PO₄³⁻-P). ستظهر قائمة بصيغ التقييم المتوفرة.

2. (موافق) للتأكيد **OK** حدد الرقم المطلوب من القائمة. اضغط على

يمكن تغيير الإعداد القياسي باستخدام طريقة أخرى

1. **Chemical Form** > **More (المزيد)** > **Options (الخيارات)** في شاشة النتائج، اضغط على **Chemical Form (الصيغة الكيميائية)**.

ستظهر قائمة بصيغ التقييم المتوفرة.

2. (موافق) للتأكيد **OK** حدد الصيغة الكيميائية المطلوبة ثم اضغط على

سيتم عرض الصيغة الكيميائية التي تم تحديدها، لكنها لن تصبح الصيغة الافتراضية: **ملاحظة** القسم تغيير الإعداد الافتراضي للصيغة الكيميائية لتغيير الصيغة الافتراضية، راجع.

تغيير الإعداد الافتراضي للصيغة الكيميائية

1. أضف الخلية الصفيرية أو خلية العينة (المطابقة لمواصفات العملية) إلى حجرة الخلية.

2. **Chemical Form** > **More (المزيد)** > **Options (الخيارات)** في شاشة النتائج، اضغط على **Chemical Form (الصيغة الكيميائية)**.

3. ستظهر قائمة بصيغ التقييم المتوفرة. حدد الإعداد الافتراضي الجديد.

4. (الحفظ كإعداد افتراضي) **Save as Default** اضغط على

سيتم عرض النتيجة الحالية وكل القراءات الإضافية في الصيغة الكيميائية الجديدة.

استكشاف الأخطاء وإصلاحها

رسالة الخطأ المعروضة	التعريف	الحل
انتبه يرجى وضع حاجب الضوء	تتطلب قراءات الأكوام المخبرية المزودة برمز شريطي وضع حاجب الضوء عادة.	ضع حاجب الضوء. (موافق) OK اضغط على

رسالة الخطأ المعروضة	التعريف	الحل
تعذرت قراءة ملصق الرمز الشريطي	عيب في الرمز الشريطي	أعد إدخال الخلية في حالة عدم التعرف على الرمز الشريطي، اتصل بالشركة المصنعة أو مندوب المبيعات.
حدث خطأ في أثناء تحميل بيانات الجهاز.		نقذ الإجراء مرة أخرى أو اتصل بالشركة المصنعة أو مندوب المبيعات.
حدث خطأ في أثناء القراءة من المحمولة USB ذاكرة		نقذ الإجراء مرة أخرى أو اتصل بالشركة المصنعة أو مندوب المبيعات.
حدث خطأ في أثناء الكتابة في ذاكرة المحمولة USB.		نقذ الإجراء مرة أخرى أو اتصل بالشركة المصنعة أو مندوب المبيعات.
يُرجى التحقق من ملف التحديث الحالي.	حدث خطأ في أثناء التحديث.	المحمولة USB تحقق من ذاكرة
يُرجى التواصل مع قسم خدمة العملاء.	حدث خطأ في أثناء التحديث.	
يُرجى التحقق من تكوين الشبكة.		
يُرجى التحقق من الاتصال.		
يُرجى إغلاق الغطاء		أغلق الغطاء
يُرجى إدخال ذاكرة المحمولة USB.		المحمولة في USB أدخل ذاكرة في الجهاز A من النوع USB منفذ
يُرجى التحقق من الاتصال والتواصل مع المسؤول.	حدث خطأ في إعداد الشبكة أو في خادم FTP	
لا يمكن تصحيح القيمة الفارغة	لا يمكن تصحيح القيمة الفارغة في LCW919.	
ملف تحديث الجهاز مفقود.	حدث خطأ في أثناء التحديث.	المحمولة USB تحقق من ذاكرة
ملف تحديث الجهاز معيب.	حدث خطأ في أثناء التحديث.	احفظ ملف التحديث مرة أخرى وكرر الإجراء

رسالة الخطأ المعروضة	التعريف	الحل
بوصى بإجراء فحص كامل للنظام	فشل فحص القيم الخاصة بالهواء	أوقف تشغيل الجهاز ثم أعد تشغيله مرة أخرى. في حالة فشل فحص النظام، اتصل بالشركة المصنعة أو مندوب المبيعات.
الإدخال غير صالح	كلمة المرور غير صحيحة	هل نسيت كلمة مرورك؟ اتصل بالشركة المصنعة أو مندوب المبيعات.
الإمتصاص < 3.5	الامتصاص المقيس يتجاوز 3,5	خفف العينة وأعد القياس مرة أخرى
يوجد عطل هل تريد رقم الرمز الشريطي للفحص؟ يُرجى تحديث بيانات البرنامج	انحراف الى البيانات المخزنة	تحديث البيانات
حدث خطأ في أثناء استدعاء عنوان المحلي IP	إعداد الشبكة: لا يملك عميل DHCP اتصالاً بخادم DHCP	مرة أخرى IP أدخل عنوان
حدث خطأ في أثناء إعداد البوابة الافتراضية	إعداد الشبكة: لا يُمكن تعيين البوابة الثابتة IP الافتراضية لعنوان	حاول إنشاء الاتصال مرة أخرى
حدث خطأ في أثناء إعداد محرك الأقراص الشبكة	حدث خطأ في أثناء إعداد الشبكة	تحقق من الإعدادات
حدث خطأ في أثناء إعداد قناع الشبكة الفرعية	إعداد الشبكة: لا يُمكن تعيين قناع الثابت IP الشبكة الفرعية لعنوان	أدخل قناع الشبكة الفرعية مرة أخرى
حدث خطأ في أثناء النسخ من ذاكرة المحمولة USB	حدث خطأ في أثناء التحديث	نقذ الإجراء مرة أخرى أو اتصل بالشركة المصنعة أو مندوب المبيعات.
FTP حدث خطأ في اتصال	FTP خطأ في	تأكد من اتصال الجهاز بالشبكة
يوجد عطل لا يمكن الوصول الى البرنامج يُرجى تحديث بيانات البرنامج	اختبار الرمز الشريطي غير موجود	تحديث البيانات
يوجد عطل إنظف الكوب المخبري	الكوب المخبري ممتسخ أو يحتوي على جسيمات غير مذابة	نظف الكوب المخبري؛ وأذب الجسيمات

الحل	التعريف	رسالة الخطأ المعروضة
المحمولة USB تحقق من ذاكرة		إلا يوجد نسخ احتياطي للجهاز
غير التحديد.	لا يمكن تحليل البيانات، لا توجد بيانات قياس	لا توجد بيانات صالحة لهذه المعلومات
غير التحديد.	لا يمكن عرض البيانات في سجل البيانات	إلم يتم العثور على بيانات صالحة
		لا توجد وظيفة مساعدة
غير التحديد.	لا يمكن تكوين إعدادات تحليل البيانات من دون بيانات القياس	إلا توجد بيانات قياس
هذا إشعار تحذيري. لم يتم الوصول إلى حد التحكم.	لم يتم الوصول إلى حدود تحليل البيانات	إلم يتم الوصول إلى نطاق التحكم
هذا إشعار تحذيري. تم تجاوز حد التحكم.	تم تجاوز حدود تحليل البيانات	إتم تجاوز نطاق التحكم
خفف العينة وأعد القياس مرة أخرى	التركيز الذي تم حسابه أعلى من 999999	إمستوى التركيز عال جدًا
خفف العينة وأعد القياس مرة أخرى	الامتصاص المقيس أعلى نطاق المعايرة الخاص بالاختبار	نطاق القياس زائد
حدد اختبارًا بنطاق قراءة أقل أو استخدم كوبًا مخبريًا بمسار أطول إن أمكن	الامتصاص المقيس أقل من نطاق المعايرة الخاص بالاختبار	نطاق القياس منخفض
قد يكون التحليل خاطئًا بسبب التداخلات.	فحص التداخل	تداخل محتمل بواسطة
قد يكون التحليل خاطئًا بسبب التداخلات.	فحص التداخل	تداخل محتمل من
اتصل بالشركة المصنعة أو مندوب المبيعات لفحص الجهاز.		إحان الوقت للمخدمة التالية
تحقق من تركيز العينة	النتيجة المحسوبة سلبية	إنتيجة سلبية
نشط الاتصال عبر الإنترنت.	تم إيقاف إعداد الشبكة عند الوصول إلى صفحة الجهاز الرئيسية عبر الشريط الجانبي	تم إيقاف تشغيل الشبكة

الحل	التعريف	رسالة الخطأ المعروضة
تحقق من المصباح واستبدله إذا لزم الأمر. أغلق الغطاء البدء Start Again (مرة أخرى).	يتوقف برنامج الاختبار عند تشغيل الجهاز	يوجد عطل توقف برنامج الاختبار عن التشغيل يُرجى التحقق من المصباح. أغلق الغطاء [xx] خطأ
أزل الكوب المخبري /خلية العينة من حجرة الخلية (موافق) OK اضغط على	يتوقف برنامج الاختبار عند تشغيل الجهاز	يوجد عطل توقف برنامج الاختبار عن التشغيل يُرجى إزالة الكوب المخبري أغلق الغطاء
اتصل بالشركة المصنعة أو مندوب المبيعات وحدد رقم الخطأ	عيب إلكتروني	الخطأ توقف الفحص الذاتي. حدث خطأ في الجهاز [x] خطأ
خفف الإضاءة المحيطة. (تجنب أشعة الشمس المباشرة) أغلق الغطاء	اكتشفت وحدات الاستشعار في الجهاز مستوى عاليًا جدًا من الإضاءة المحيطة	الخطأ الإضاءة المحيطة عالية جدًا ضع الجهاز في الظل أو أغلق الغطاء
		لا تتوفر وظيفة مساعدة لهذا البرنامج.
قد يكون التحليل خاطئًا. استخدم مواد كيميائية جديدة		إتم تجاوز فترة الصلاحية هل تريد استخدام المواد الكيميائية؟
تحقق من البرمجة اتصل بالشركة المصنعة أو مندوب المبيعات	حدث خطأ في قاعدة بيانات الاختبار/قاعدة بيانات المستخدم	إلا يوجد تقييم
أعد إدخال الخلية في حالة عدم التعرف على الرمز الشريطي، اتصل بالشركة المصنعة أو مندوب المبيعات	لم يتم العثور على الرمز الشريطي	إلا يوجد رمز شريطي

الوصف	التعريف	الحل
رسالة الخطأ المعروضة	حدث خطأ في أثناء إعداد الشبكة .لا يمكن الوصول إلى الخادم عن بُعد	تأكد من اتصال الجهاز بالشبكة.
إظروف الإضاءة غير مستقرة		تجنب أشعة الشمس المباشرة في موقع القياس.
ذاكرة غير كافية للتحديث	حدث خطأ في أثناء التحديث	حدد ذاكرة بمساحة أكبر.
إفحص النظام غير صحيح	فشل قياس قيم الهواء	أوقف تشغيل الجهاز ثم أعد تشغيله مرة أخرى. في حالة فشل فحص النظام، اتصل بالشركة المصنعة أو مندوب المبيعات
درجة الحرارة عالية جداً .لا يمكن القياس		أوقف تشغيل الجهاز ودعه يبرد لعدة دقائق. وإذا لزم الأمر، فانقله إلى مكان أكثر برودة.
ملف التحديث معيب	حدث خطأ في أثناء التحديث	احفظ ملف التحديث مرة أخرى وكرر الإجراء .
المحمولة غير متصلة USB ذاكرة	لا يمكن التحديث	المحمولة USB تحقق من ذاكرة
لا يمكن الوصول إلى خادم ويب	لا يمكن الوصول إلى الصفحة الرئيسية في الجهاز	حاول الاتصال مرة أخرى في وقت لاحق.

قطع الغيار

الوصف	كتالوج الرقم
مصباح هالوجين	LPZ440.99.00007

قطع الغيار

الوصف	كتالوج الرقم
للخلايا المستطيلة مقاس 1 سم والخلايا الدائرية مقاس A 1 محوّل خلوي من النوع بوصة	LZV846
للخلايا المستطيلة مقاس 3 سم مُعتمد في الصين فقط B محوّل خلوي من النوع	LZV847
حاجب الضوء	LZV849
مصدر الطاقة المناسب	LZV844
سلك الطاقة المُعتمد في دول الاتحاد الأوروبي	YAA080
سلك الطاقة المُعتمد في سويسرا	XLH051
سلك الطاقة المُعتمد في المملكة المتحدة	XLH057
سلك الطاقة المُعتمد في الولايات المتحدة الأمريكية	XLH055
كابل الطاقة المُعتمد في الصين/أستراليا	XLH069
غطاء واق من الغبار	LZV845
حجرة الخلية	LZV848

www.hach.com

